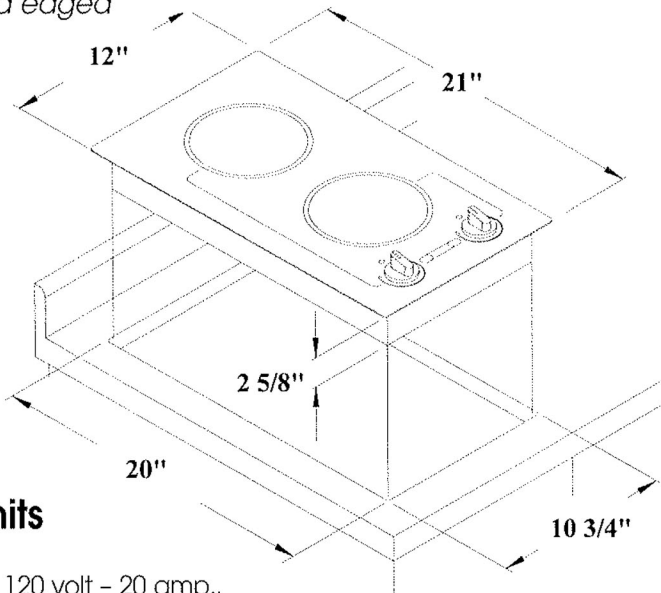


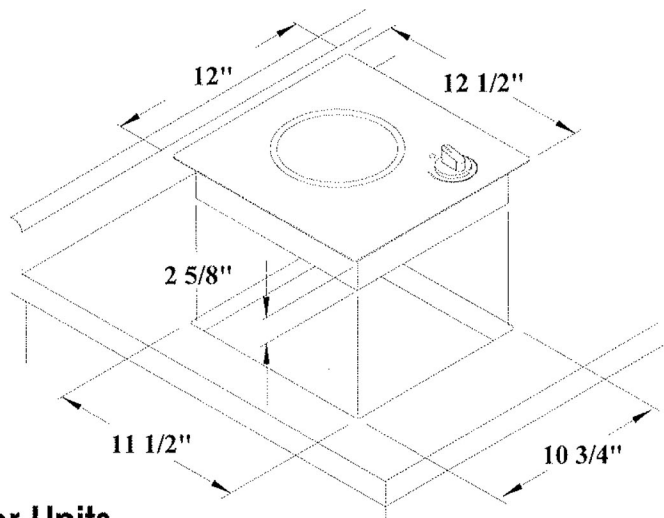
Smooth surface, round edged
ceramic glass



Two Burner Units

| | |
|---------------------|--|
| Model B41601 | 120 volt – 20 amp., 2 – 6½" (165mm) @1200 watts each |
| Model B41602 | 240 volt – 10 amp., 2 – 6½" (165 mm) @1200 watts each |

| | |
|---------------------|--|
| Overall Dimensions: | 21" x 12" x 2½" 533.4mm x 304.8mm x 66.7mm |
| Cutout Dimensions: | 20" x 10¾" with ¼" radius 508mm x 273mm with 6.4 radius |



Single Burner Units

| | |
|---------------------|--|
| Model B41605 | 120 volt – 10 amp., 1 – 6½" (165mm) @1200 watts |
| Model B41606 | 240 volt – 5amp., 1 – 6½" (165mm) @1200 watts |

| | |
|---------------------|---|
| Overall Dimensions: | 12½" x 12" x 2½" 317.5mm x 304.8mm x 66.7mm |
| Cutout Dimensions: | 11½" x 10¾" with ¼" radius 292.1mm x 273mm with 6.4 radius |