

# **BROAN NuTone** MODELS 2730 & 2736 ECLIPSE DOWNDRAFT BLOWER SYSTEM

## **READ AND SAVE THESE INSTRUCTIONS**

 **INTENDED FOR DOMESTIC COOKING ONLY** 

### **WARNING**

**TO REDUCE THE RISK OF FIRE, ELECTRIC SHOCK, OR INJURY TO PERSONS, OBSERVE THE FOLLOWING:**

1. Use this unit only in the manner intended by the manufacturer. If you have questions, contact the manufacturer at the address or telephone number in the warranty.
2. Before servicing or cleaning unit, switch power off at service panel and lock the service disconnecting means to prevent power from being switched on accidentally. When the service disconnecting means cannot be locked, securely fasten a prominent warning device, such as a tag, to the service panel.
3. Installation work and electrical wiring must be done by a qualified person(s) in accordance with all applicable codes and standards, including fire-rated construction codes and standards.
4. Sufficient air is needed for proper combustion and exhausting of gases through the flue (chimney) of fuel burning equipment to prevent backdrafting. Follow the heating equipment manufacturer's guideline and safety standards such as those published by the National Fire Protection Association (NFPA), and the American Society for Heating, Refrigeration and Air Conditioning Engineers (ASHRAE), and the local code authorities.
5. When cutting or drilling into wall or ceiling, do not damage electrical wiring and other hidden utilities.
6. Do not use this range hood with an additional speed control device.
7. Ducted fans must always be vented to the outdoors.
8. To reduce the risk of fire, use only metal ductwork.
9. Do not install this product with the activating switch directly behind a burner or element. Minimum distance between the switch and the edge of the burner should be 4 inches.
10. Loose-fitting or hanging clothing should never be worn when operating this appliance. They may be ignited by burners/elements on cooktop.
11. Children should not be left alone or unattended in the area where this appliance is in use.
12. This unit must be grounded.

**TO REDUCE THE RISK OF A RANGE TOP GREASE FIRE:**

1. Never leave surface units unattended at high settings. Boilovers cause smoking and greasy spillovers that may ignite. Heat oils slowly on low or medium settings.
2. Always turn hood ON when cooking at high heat or when cooking flaming foods.
3. Clean ventilating fans frequently. Grease should not be allowed to accumulate on fan or filter.
4. Use proper pan size. Always use cookware appropriate for the size of the surface element.

**TO REDUCE THE RISK OF INJURY TO PERSONS IN THE EVENT OF A RANGE TOP GREASE FIRE, OBSERVE THE FOLLOWING<sup>a</sup>:**

1. **SMOTHER FLAMES** with a close-fitting lid, cookie sheet, or metal tray, then turn off the burner. **BE CAREFUL TO PREVENT BURNS.** If the flames do not go out immediately, **EVACUATE AND CALL THE FIRE DEPARTMENT.**

### **WARNING**

2. NEVER PICK UP A FLAMING PAN - You may be burned.
  3. DO NOT USE WATER, including wet dishcloths or towels - a violent steam explosion will result.
  4. Use an extinguisher ONLY if:
    - A. You know you have a Class ABC extinguisher, and you already know how to operate it.
    - B. The fire is small and contained in the area where it started.
    - C. The fire department is being called.
    - D. You can fight the fire with your back to an exit.
- <sup>a</sup> Based on "Kitchen Firesafety Tips" published by NFPA.

### **CAUTION**

1. For indoor use only.
2. For general ventilating use only. Do not use to exhaust hazardous or explosive materials and vapors.
3. To avoid motor bearing damage and noisy and/or unbalanced impellers, keep drywall spray, construction dust, etc. off power unit.
4. Clean filters and grease-laden surfaces frequently.
5. Do not repair or replace any part of this appliance unless specifically recommended in this manual. All other servicing should be done by a qualified technician.
6. Please read specification label on product for further information and requirements.

## **GROUNDING INSTRUCTIONS**

**WARNING** - This appliance must be grounded. In the event of an electrical short-circuit, grounding reduces the risk of the electric shock by providing an escape wire for the electric current. This appliance is equipped with a cord having a grounding wire with a grounding plug. The plug must be plugged into an outlet that is properly installed and grounded.

**WARNING** - Improper grounding can result in a risk of electric shock.

Consult a qualified electrician if the grounding instructions are not completely understood, or if doubt exists as to whether the appliance is properly grounded.

Do not use an extension cord. If the power supply cord is too short, have a qualified electrician install an outlet near the appliance.

Register your product online at: [www.broan.com/register](http://www.broan.com/register)

**INSTALLER: Save this manual for Electrical Inspector and Homeowner to use.**

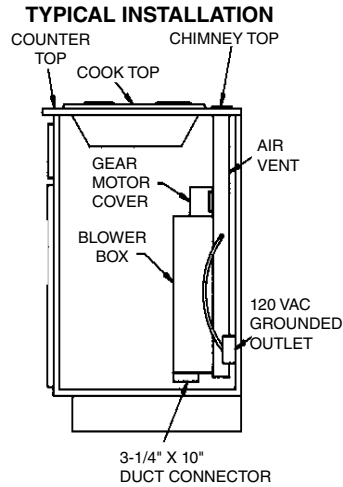
**HOMEOWNER: Use and Care Information on Page 5.**

# PLANNING

This downdraft blower system is designed to be used to exhaust airborne contaminants when cooking with a variety of gas or electric cooktops. It can be mounted in island, peninsula, or conventional wall locations.

This unit can be easily installed following these basic steps:

- Cut out the countertop opening.
- Mount the unit in the cabinet.
- Connect the ductwork and electrical.
- Install the cooktop.



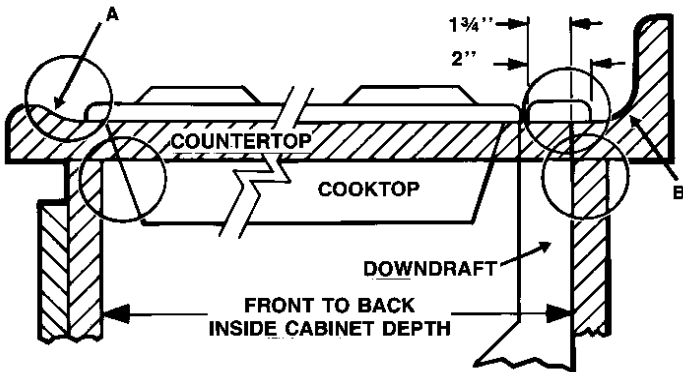
**Note:** The high level of air flow of this appliance may affect the gas flame on some types of gas cooktops. This is **NORMAL** and will cause no harm, but can be corrected by lowering the speed of the blower.

# SPECIFICATIONS

VOLTS	AMPS	CFM	DUCT
120	4.0	500	3-1/4 X 10

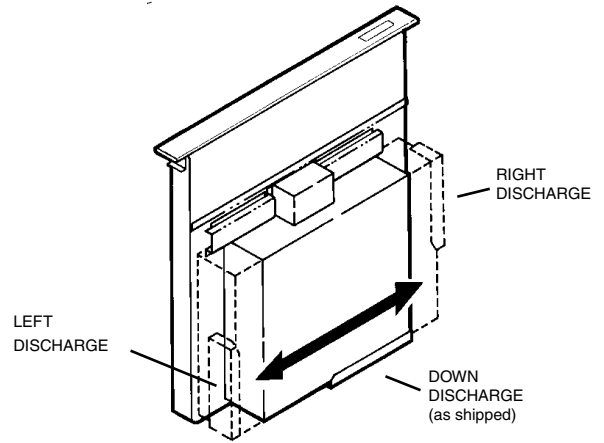
# TAKE MEASUREMENTS

1. Refer to the cooktop installation instructions for dimensions of cooktop, countertop cut-out, and cabinet requirements. The Model 2730 will fit in most 30" wide cabinets and the Model 2736 will fit in most 36" wide cabinets. However, it is recommended that oversized cabinets be used for easier installation.
2. Cooktop depth can vary greatly from one to another. This may cause the fit of these two appliances to be rather tight.

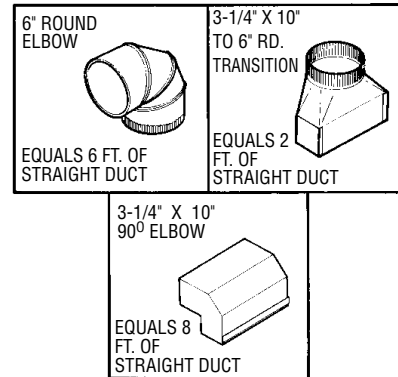


Pay special attention to the areas of potential interference highlighted above. A countertop with (A) a raised lip and/or (B) a backsplash may not allow enough flat countertop for a proper installation. Note that 2" of flat countertop is required behind cooktop and that 1-3/4" is necessary between the back edge of the cooktop and the inside of cabinet back.

# PLAN THE DUCTWORK



1. This downdraft blower system is designed for use with 3-1/4" x 10" ductwork (can be transitioned to 6" round). Three different discharge directions are available with side-to-side adjustment for accurate alignment of ductwork.
2. For best performance: Choose the ducting option which allows the shortest length of ductwork and a minimum number of elbows and transitions. Check location of floor joists, wall studs, electrical wiring or plumbing for possible interference. **NOTE:** The unit is shipped with the 3-1/4" x 10" discharge facing **DOWN**. See "CHANGING BLOWER DIRECTION" on page 3, if necessary.



3. The system will operate most efficiently when the ductwork does not exceed 40 feet of equivalent duct. The chart, above, shows equivalent feet of elbows and transitions. The number of feet of straight duct plus the equivalent feet of transitions and/or elbows to be used should equal 40 feet or less.

**NOTE:** The equivalent feet of various roof and wall caps has been taken into consideration. Do not include them in this calculation.

# PLAN THE WIRING

1. The downdraft blower system draws 4 AMPS and requires a 120 VAC, 60 Hz circuit.
2. The unit has a 2 ft. long power cord with a 3-pronged plug. Plan to provide a grounded outlet in a location which will allow the unit's power cord to reach. (Note: If the Model 2730 is being installed in a 30" wide cabinet or the Model 2736 is being installed in a 36" wide cabinet, the outlet cannot be located on the back wall of cabinet.) Outlet may also be wall-mounted, with access hole in cabinet.

# PREPARATION

## CHANGING BLOWER DISCHARGE (Optional)

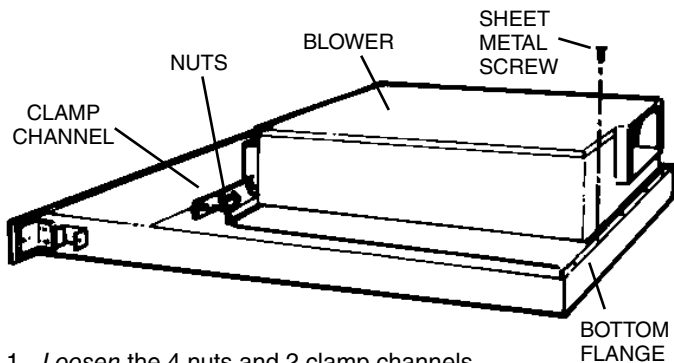
The blower is shipped with its discharge facing DOWN. Follow these steps ONLY if:

the position of the blower discharge needs to be moved so duct-work does not interfere with floor joists, plumbing or wiring below.

it is necessary to rotate the blower discharge to the RIGHT or LEFT.

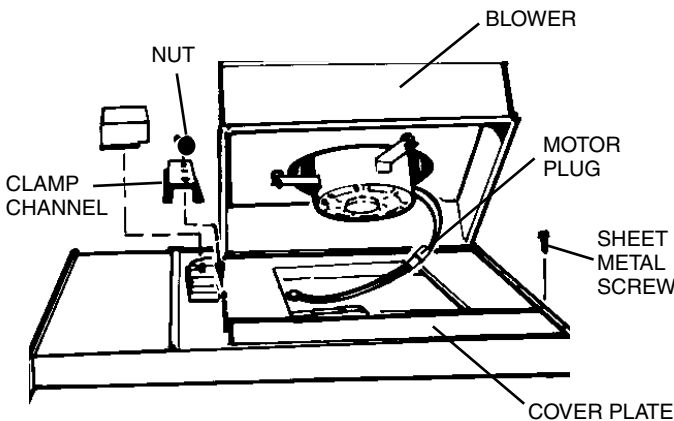
Place the unit on its back on a table or work surface.

### DOWN DISCHARGE - MOVING BLOWER LEFT OR RIGHT



1. Loosen the 4 nuts and 2 clamp channels.
2. Slide blower to desired position.
3. Use supplied cover plate to close open space (if any).
4. Tighten wing nuts to secure top of blower and use sheet metal screws through bottom flange to secure bottom of blower.

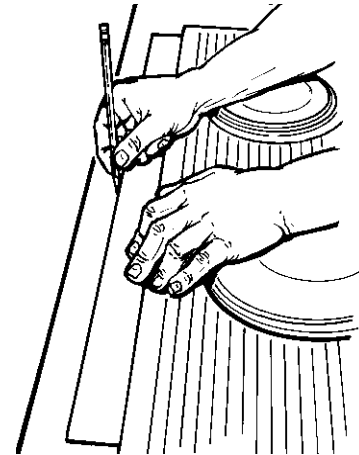
### LEFT OR RIGHT DISCHARGE



1. Remove the 4 nuts and 2 clamp channels.
2. Carefully lift blower and disconnect motor plug if necessary. Reposition blower and RECONNECT MOTOR PLUG.
3. Use supplied cover plate to close open space (if any).
4. Replace clamp channels and use nuts to secure the blower in its new position.
5. Use sheet metal screws through bottom flange to secure bottom of blower.

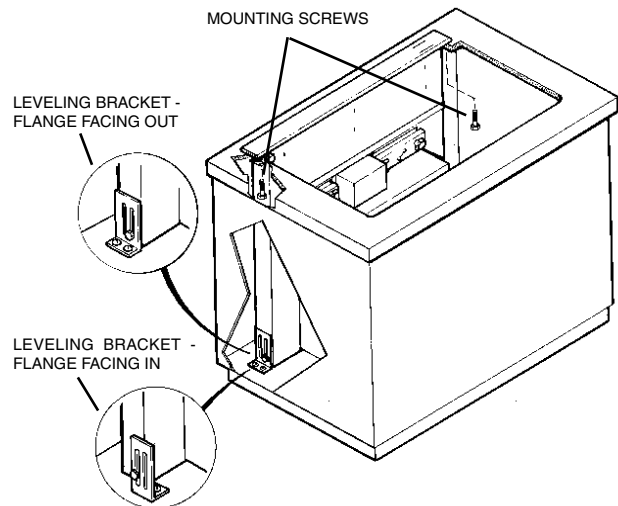
# CUT COUNTERTOP OPENING

1. Lay out and cut the cooktop cut-out far enough FORWARD so downdraft will fit behind it.
2. Set cooktop in place and slide it as far forward as possible. Center and square it with edges of countertop.



3. Place the plastic template against the back flange of the cooktop and center it. Trace around template to mark the downdraft opening.
4. Remove cooktop from countertop.
5. Cut downdraft opening. Be careful not to chip edges of countertop.

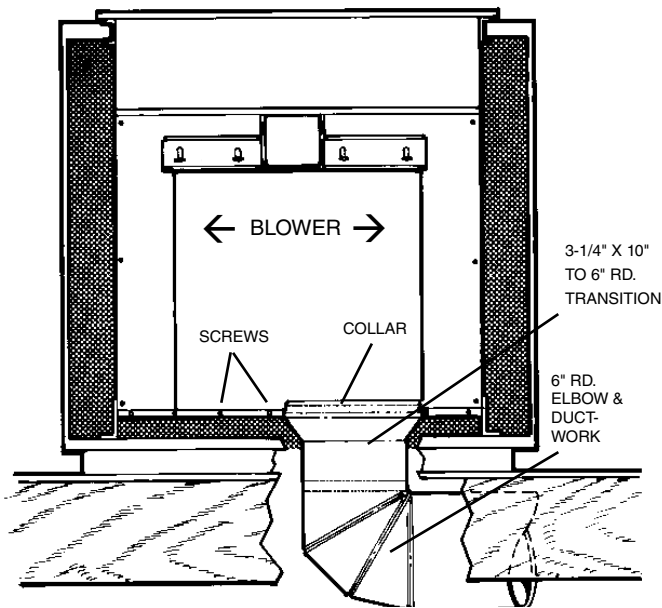
# MOUNT THE UNIT



1. Set downdraft into opening. Extend leveling brackets to floor of cabinet so downdraft sits straight. (Note: Leveling brackets can be removed and re-attached in other positions. Bottom flange may have to face inward in tight cabinet installations.)
2. Secure the downdraft to the countertop as follows: Hold the downdraft against the back of countertop cut-out and tightening the 2 mounting screws (one on each end of unit) on underside of countertop. Use a wood shim between screw and underside of granite countertops.
3. Screw leveling brackets to bottom of cabinet. Tighten screws holding leveling bracket to unit on each side.

# INSTALL DUCTWORK

**CAUTION - BEFORE CUTTING HOLE IN CABINET FOR DUCTWORK:** Check for interference with floor joists, wall studs, electrical wiring or plumbing.



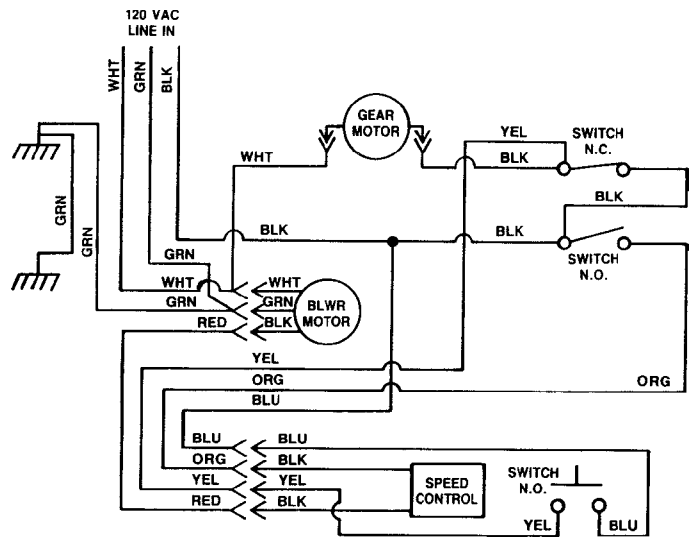
1. Cut hole in cabinet as well as holes in wall or floor as necessary.
2. Mount the roof or wall cap and work back towards the cabinet, attaching all ductwork, elbows and transitions as previously planned. Tape all ductwork connections to make them secure and air tight.
3. Connect ductwork (and transition, if required) to downdraft. If necessary, LOOSEN nuts and screws that hold the blower in place, and slide blower left or right to meet ductwork. Retighten screws and nuts.

**Note:** A 3-1/4" x 10" collar is provided for installers who prefer to rivet the ductwork to the unit. This will allow blower to be removed and replaced easily in service situations without disturbing ductwork.

# INSTALL ELECTRICAL WIRING

1. Mount a standard wiring box, with 3-pronged receptacle, inside the cabinet. Make sure the downdraft's power cord can easily reach it.
2. Run appropriate power cable into cabinet and connect it to receptacle.
3. Plug the downdraft's power cord into the outlet.

# WIRING DIAGRAM



# INSTALL COOKTOP

1. Align the cooktop with the downdraft and fasten cooktop in place.

**Note:** Accurate alignment of cooktop and downdraft is necessary to ensure that there is no interference when air vent is raised and lowered. There should be a gap of 1/32"-1/16" between the back of the cooktop and the front of the downdraft cover.

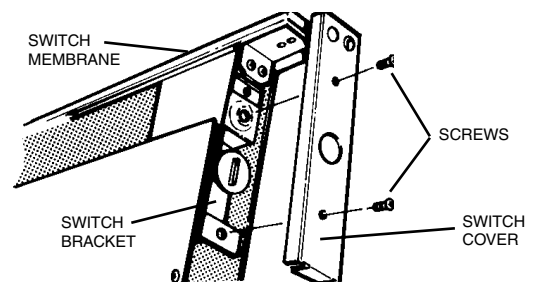
# ADJUSTMENT

The downdraft is factory-adjusted for proper operation. However, shipping and handling may affect the position of the activating switch.

To adjust position of activating switch:

**WARNING: To avoid possible electrical shock, personal injury or death - Disconnect electrical power.**

1. If downdraft is plugged into electrical outlet, unplug it.
2. Lift air vent straight up and cock it slightly so it remains in the UP position.

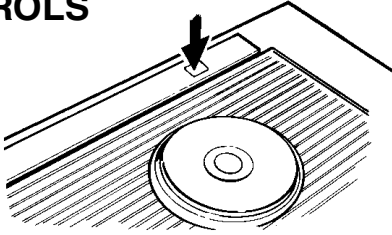


3. Remove switch cover from right end of air vent.
4. Loosen the 2 screws holding the switch bracket in place. Position switch bracket so that activating switch just comes in contact with underside of switch membrane. Tighten screws.
5. Replace switch cover, gently lower air vent into chimney, and plug in power cord. Re-connect electrical power and check operation.

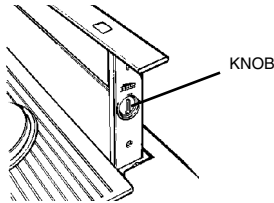
# USE AND CARE

Always turn the downdraft blower on before you begin cooking to establish an air flow in the kitchen. Let the blower run for a few minutes to clean the air after you turn the cooktop off. This will keep the whole kitchen cleaner and brighter.

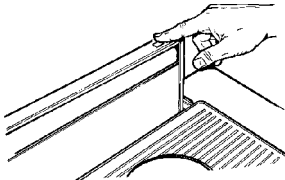
## CONTROLS



Turn the downdraft blower ON by pressing down on the activating switch. The air vent will rise.



The blower can be turned ON or OFF and its speed can be adjusted with the recessed knob on the right side of the air vent.



Turn the downdraft blower OFF by pressing the activating switch again. The air vent will go down and the blower will shut OFF.

Note: For most convenient operation, set the blower to your favorite speed. The blower will come on to this speed whenever the activating switch is pressed and the air vent rises.

# USE AND CARE - (Continued)

## CLEANING

**WARNING: Always disconnect electric power supply before cleaning unit.**

Use a mild detergent suitable for painted surfaces. DO NOT USE ABRASIVE CLOTH, STEEL WOOL PADS, OR SCOURING POWDERS. Vacuum blower to clean. Do not immerse blower in water.

Wash the 2 aluminum grease filters in a mild detergent solution or a dishwasher. Remove them from the air vent by grasping the tab at the top of each filter.

Note: The filters are different sizes. Be sure to replace them as removed, (wider one on the left), with tabs UP.

## SERVICING

**WARNING: Always disconnect electric power supply before servicing unit.**

It may be necessary to remove the downdraft blower system from the cabinet in order to service components such as the blower motor or air vent mechanism.

Disconnect power to the cooktop and remove it first. Reverse the steps under "MOUNT THE UNIT" to remove the downdraft from the cabinet.

# SERVICE PARTS

## Models 2730 & 2736 DOWNDRAFT BLOWER SYSTEMS

KEY NO.	PART NUMBER	DESCRIPTION	QTY.
1	93400038	Bushing, 7/8"	1
2	99400061	Bushing, Split Heyco, 5/8"	1
3	99400024	Bushing, Heyco, 1/2"	1
4	99470016	Roller	1
5	97011238	Switch Assembly, Up/Down	1
6	97010714	Wire Harness, Speed Control	1
7	99260491	Nut, 3/8-32	1
8	99360165	Knob	1
9	99100484	Motor Insulator	3
10	97009972	Lower Switch Bracket Assembly	1
11	97011293	Green Ground Wire	1
12	97010993	Wire Harness	1
16	98007642	Back-up Plate	1
17	97018840	Crank Assembly (Includes Key Nos. 4, 16, 66, 68 & mounting nuts)	1
18	98010813	Switch Cover	1
19	98018523	Chimney Assembly (Model 2730) (Includes Key Nos. 5, 8, 19, 45, 51, 52, 71 & 84)	1
	98018524	Chimney Assembly (Model 2736) (Includes Key Nos. 5, 8, 19, 45, 51, 52, 71 & 84)	1
20	99080362	Motor (with Capacitor-Key No. 73)	1
21	99020247	Blower Wheel	1
22	98010810	Scroll Box Extension	1
23	99710032	Spacer	3
24	97011259	Top Bracket Assembly, Right	1
25	97011260	Top Bracket Assembly, Left	1
26	97011322	Top, Stainless (Model 2730)	1
	97011323	Top, Stainless (Model 2736)	1
28	97018476	Scroll Box Assembly	1
29	97011443	Gear Motor Cover	1
30	97010994	Air Box Assembly (Model 2730)	1
	97010992	Air Box Assembly (Model 2736)	1
31	98010809	Scroll Box Cover	1
32	98008157	Capacitor Strap	1
33	97009786	Filter Kit (Model 2730) (contains 2 filters)	1
	97009787	Filter Kit (Model 2736) (contains 2 filters)	1
45	99090905	End Cap	1
46	99080590	Gearmotor	1
47	99110850	Slide Strip	4
49	99170245	Screw, #8-18 x .375 SLT HX WS HD	19
50	99150471	Screw, #10-32 x .500 HX WS BDRH	2
51	99150491	Screw, #8-18 x .375 SR PH TRH	6
52	99150488	Screw, #8-18 x .500 No. 5 PH Trim	2
53	98010802	Cover, Air Box Opening (Model 2730)	1
	98010803	Cover, Air Box Opening (Model 2736)	1
54	99260488	Nut, #10-24	4
55	98010822	Air Box Cover (Model 2730)	1
	98010823	Air Box Cover (Model 2736)	1
56	97011500	Gearmotor Bracket Assembly	1
57	98008159	Leg Support	2
58	99150536	Screw, 1/4-20 x 5/16	5
59	99250927	Washer, 1/4	2
60	99150479	Screw, #8-32 x 1/2 PH HD MS	4
61	99160356	Screw, #10-24 x 3/8 SH WH LOCK	1
62	99160361	Screw, #10-24 x 3/8 PH FL HD LD	1
64	99260488	Nut, 10-24 HEX	5
65	99260477	Nut, 1/4-20 WHIZ LOCK	3
66	99380633	U-Bolt, 10-24 (Includes Key No. 16 and mounting nuts)	1
67	99400048	Strain Relief	1
68	93260447	Nut, Hex Flange	1
70	98010804	Airbox Clamp	2
71	93270493	Wire Tie	3
73	99271000	Capacitor	1
74	99160384	Screw, 1/4-20 x 2.000 HEX HD	2
75	99150415	#8-18 x .250 PH TR HD BPT	2
84	99100544	Seal - Foam (30")	1
	99100545	Seal - Foam (36")	1
**	97018534	Blower Assembly, Complete (Includes Key Nos. 2, 9, 20, 21, 22, 28, 31, 32, 49, 58, 64, 65 & 73)	

### OPTIONAL DOOR KITS

MODEL NO.	DESCRIPTION
273001C	30" White
273002C	30" Biscuit
273023C	30" Black
273601C	36" White
273602C	36" Biscuit
273623C	36" Black

Replacement parts can now be ordered on our website. Please visit us at [www.Broan.com](http://www.Broan.com)

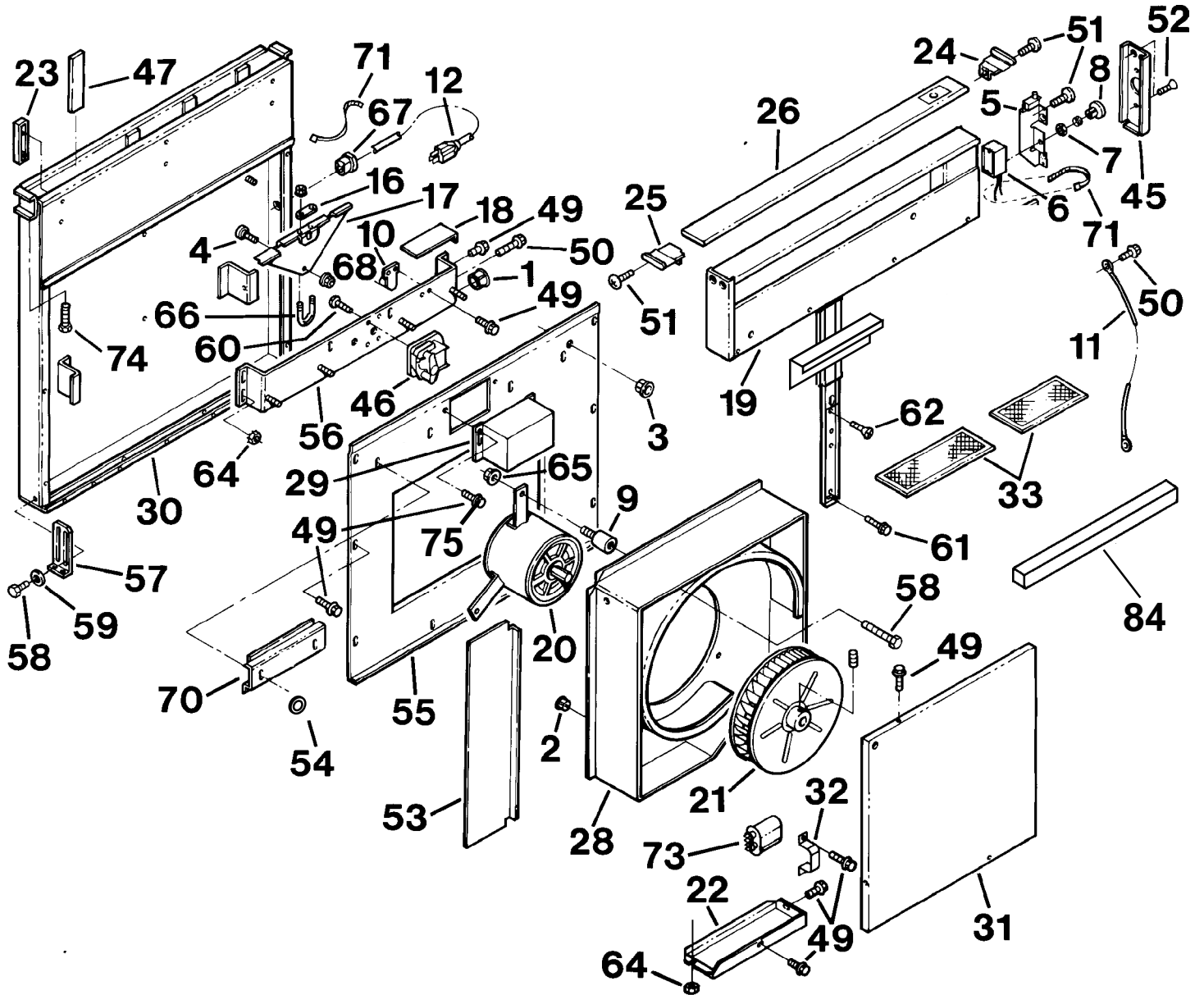
\*Standard Hardware - May be purchased locally.

\*\*Service Assembly - Contains numerous parts.

# SERVICE PARTS

Models 2730 & 2736

Downdraft Blower Systems



# WARRANTY

---

## BROAN-NUTONE ONE YEAR LIMITED WARRANTY

Broan-NuTone warrants to the original consumer purchaser of its products that such products will be free from defects in materials or workmanship for a period of one year from the date of original purchase. THERE ARE NO OTHER WARRANTIES, EXPRESS OR IMPLIED, INCLUDING, BUT NOT LIMITED TO, IMPLIED WARRANTIES OF MERCHANTABILITY OR FITNESS FOR A PARTICULAR PURPOSE.

During this one-year period, Broan-NuTone will, at its option, repair or replace, without charge, any product or part which is found to be defective under normal use and service.

THIS WARRANTY DOES NOT EXTEND TO FLUORESCENT LAMP STARTERS, TUBES, HALOGEN AND INCANDESCENT BULBS, FUSES, FILTERS, DUCTS, ROOF CAPS, WALL CAPS AND OTHER ACCESSORIES FOR DUCTING. This warranty does not cover (a) normal maintenance and service or (b) any products or parts which have been subject to misuse, negligence, accident, improper maintenance or repair (other than by Broan-NuTone), faulty installation or installation contrary to recommended installation instructions.

The duration of any implied warranty is limited to the one-year period as specified for the express warranty. Some states do not allow limitation on how long an implied warranty lasts, so the above limitation may not apply to you.

BROAN-NUTONE'S OBLIGATION TO REPAIR OR REPLACE, AT BROAN-NUTONE'S OPTION, SHALL BE THE PURCHASER'S SOLE AND EXCLUSIVE REMEDY UNDER THIS WARRANTY. BROAN-NUTONE SHALL NOT BE LIABLE FOR INCIDENTAL, CONSEQUENTIAL OR SPECIAL DAMAGES ARISING OUT OF OR IN CONNECTION WITH PRODUCT USE OR PERFORMANCE. Some states do not allow the exclusion or limitation of incidental or consequential damages, so the above limitation or exclusion may not apply to you.

This warranty gives you specific legal rights, and you may also have other rights, which vary from state to state. This warranty supersedes all prior warranties.

To qualify for warranty service, you must (a) notify Broan-NuTone at the address or telephone number below, (b) give the model number and part identification and (c) describe the nature of any defect in the product or part. At the time of requesting warranty service, you must present evidence of the original purchase date.

Broan-NuTone LLC, 926 W. State Street, Hartford, Wisconsin 53027  
www.broan.com 800-558-1711 www.nutone.com 888-336-3948

Broan-NuTone Canada, Inc., 1140 Tristar Drive, Mississauga, Ontario L5T 1H9  
www.broan.ca www.nutone.ca 877-896-1119



# **BROAN**® SYSTÈME DE VENTILATEUR À TIRAGE VERS **NuTone**® LE BAS ECLIPSE, MODÈLES 2730 ET 2736

## **VEUILLEZ LIRE ET CONSERVER CES INSTRUCTIONS**

**⚠ CONÇUE POUR LES CUISINES DOMESTIQUES UNIQUEMENT ⚠**

### **AVERTISSEMENT** ⚡ 🔥

**POUR RÉDUIRE LES RISQUES D'INCENDIE, D'ÉLECTROCUTION OU DE BLESSURES PHYSIQUES, RESPECTEZ LES INSTRUCTIONS CI-DESSOUS :**

1. Utilisez cet appareil uniquement de la manière prévue par le fabricant. Si vous avez des questions, contactez le fabricant à l'adresse ou au numéro de téléphone indiqués dans la garantie.
2. Avant d'effectuer l'entretien ou le nettoyage de l'appareil, mettez-le hors tension sur le panneau de service et verrouillez ce dernier pour éviter que l'appareil soit mis sous tension par inadvertance. S'il n'est pas possible de verrouiller le dispositif de déconnexion, apposez un avertissement bien visible (par exemple une étiquette) sur le panneau de service.
3. L'installation et le raccordement électrique doivent être effectués par du personnel qualifié conformément à toutes les réglementations et normes en vigueur, y compris celles concernant les constructions cotées pour leur résistance au feu.
4. Afin d'éviter un refoulement lors de l'utilisation d'équipements à combustible, une quantité d'air suffisante est nécessaire pour assurer une combustion et un échappement adéquats des gaz à travers le conduit (la cheminée). Suivez les consignes du fabricant de l'équipement chauffant et les normes de sécurité publiées, entre autres, par la National Fire Protection Association (NFPA) et l'American Society for Heating, Refrigeration and Air Conditioning Engineers (ASHRAE), ainsi que les réglementations locales.
5. Quand vous découpez ou percez un mur ou un plafond, veillez à ne pas endommager des câblages électriques ou d'autres équipements non visibles.
6. N'utilisez pas cette hotte avec un appareil de contrôle de vitesse supplémentaire.
7. Les ventilateurs avec conduits doivent toujours évacuer l'air à l'extérieur.
8. Pour réduire les risques d'incendie, utilisez uniquement des conduits en métal.
9. N'installez pas cet appareil avec le commutateur de déclenchement directement derrière un élément ou un brûleur. La distance minimum entre le commutateur et le bord du brûleur devrait être de 10 mm (4 po).
10. On ne devrait jamais porter de vêtements amples ou qui pendent en utilisant cet appareil. Ils risquent d'être enflammés par les brûleurs et les éléments de la surface de cuisson.
11. On ne devrait jamais laisser les enfants seuls ou sans supervision à l'endroit où cet appareil est utilisé.
12. Cet appareil doit être mis à la terre.

#### **POUR RÉDUIRE LE RISQUE DE FEU DE CUISINIÈRE**

1. Ne jamais laisser les appareils de cuisson sans surveillance lorsqu'ils sont réglés à feu vif. Les débordements engendrent de la fumée et des déversements graisseux pouvant s'enflammer. Chauffez l'huile lentement, à feu doux ou moyen.
2. Mettez toujours la hotte en marche lorsque vous cuisinez à feu vif ou que vous cuisinez des mets flambés.
3. Nettoyez souvent les ventilateurs d'aération. Évitez que la graisse ne s'accumule sur le ventilateur ou le filtre.
4. Utilisez le bon format de casserole. Servez-vous toujours de casseroles et d'ustensiles appropriés à la dimension de la surface chauffante.

**AFIN D'ÉVITER TOUT RISQUE DE BLESSURES LORS D'UN FEU DE CUISINIÈRE, SUIVEZ CES DIRECTIVES\* :**

### **AVERTISSEMENT** ⚡ 🔥

1. ÉTOUFFEZ LES FLAMMES avec un couvercle hermétique, une plaque à biscuits, ou un plateau en métal, puis éteignez le brûleur. PRENEZ SOIN D'ÉVITER LES BRÛLURES. Si les flammes ne s'éteignent pas immédiatement, ÉVACUEZ LES LIEUX ET APPELEZ LES POMPIERS.
2. NE SAISISSEZ JAMAIS UNE POÊLE ENFLAMMÉE, vous risquez de vous brûler.
3. N'UTILISEZ JAMAIS D'EAU ni de torchons ou de serviettes mouillé(e)s - cela donnerait lieu à une violente explosion de vapeur.
4. Utilisez un extincteur UNIQUEMENT si :
  - A. Vous savez qu'il s'agit d'un extincteur de Classe ABC et savez déjà comment vous en servir.
  - B. L'incendie est de petite taille et confiné à l'endroit où il a commencé.
  - C. Les pompiers ont été avisés.
  - D. Vous pouvez combattre l'incendie en ayant une sortie derrière vous.

\* Selon « Kitchen Fire Safety Tips », publié par la NFPA.

### **ATTENTION** ⚠

1. Uniquement pour l'utilisation intérieure.
2. À utiliser uniquement pour la ventilation générale. Ne pas utiliser pour évacuer des vapeurs ou des matières dangereuses ou explosives.
3. Pour éviter que le roulement moteur s'endommage et que des hélices deviennent bruyantes ou déséquilibrées, gardez votre appareil à l'abri des poussières de gypse et de construction/rénovation, etc.
4. Nettoyez fréquemment les filtres et les surfaces remplies de graisse.
5. Ne réparez ou ne remplacez aucune pièce de cet appareil, à moins que ce ne soit spécifiquement recommandé dans ce manuel. Tout autre entretien doit être effectué par un technicien qualifié.
6. Pour en savoir plus et connaître les exigences sur le produit, veuillez lire l'étiquette des spécifications.

## **INSTRUCTIONS POUR MISE À LA TERRE**

**AVERTISSEMENT** - Cet appareil doit être relié à une mise à la terre. En cas de court-circuit électrique, la mise à la terre réduit le risque d'électrocution en fournissant un câble d'évacuation du courant. Cet appareil est muni d'un cordon équipé d'un câble de mise à la terre avec fiche de mise à la terre. La fiche doit être branchée dans une prise de courant correctement installée et mise à la terre.

**AVERTISSEMENT** - Un mauvais branchement peut entraîner un risque d'électrocution.

Consultez un électricien si les instructions de mise à la terre ne sont pas tout à fait compréhensibles ou si un doute persiste quant à savoir si l'appareil est correctement relié à la terre.

Ne pas utiliser de cordon de rallonge. Si le cordon d'alimentation est trop court, faire installer une prise par un électricien compétent à proximité de l'appareil.

Enregistrez votre produit en ligne à : [www.broan.com/register](http://www.broan.com/register)

**INSTALLATEUR : Conservez ce manuel pour les besoins de l'inspecteur électrique et du propriétaire.  
PROPRIÉTAIRE : Information sur l'utilisation et entretien à la page 13.**

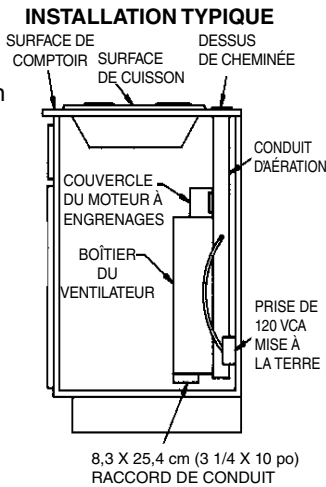
# PRÉPARATION

Ce système de ventilateur à tirage vers le bas est conçu pour évacuer les contaminants de l'air lors de l'utilisation d'une surface de cuisson au gaz ou électrique. Il peut être installé dans un îlot, une péninsule ou un comptoir conventionnel appuyé contre un mur.

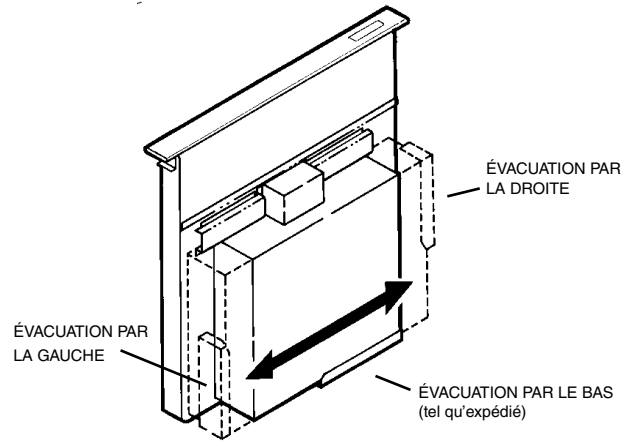
Cet appareil s'installe facilement en suivant ces trois étapes de base :

- Découpez l'ouverture dans le comptoir.
- Installez l'appareil dans l'armoire.
- Raccordez les conduits et effectuez les connexions électriques.
- Installez la surface de cuisson.

**Remarque :** Le débit d'air élevé de cet appareil peut affecter la flamme de certaines surfaces de cuisson au gaz. Cet effet est NORMAL et inoffensif, mais il peut être corrigé en réduisant la vitesse du ventilateur.



# PLANIFICATION DES CONDUITS



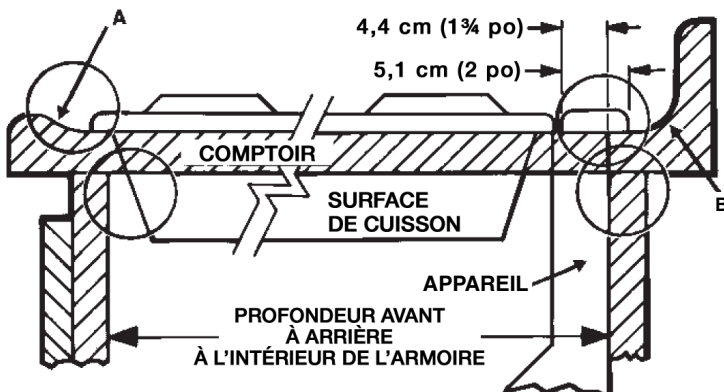
1. Ce système de ventilateur à tirage vers le bas est conçu pour des conduits de 8,3 x 25,4 cm (3 1/4 x 10 po) (ou transformés en conduit rond de 15,3 cm (6 po)). Il y a trois directions possibles d'évacuation disponibles avec un ajustement latéral pour un alignement exact du conduit.
2. Pour un meilleur rendement : choisissez le conduit qui permet le trajet le plus court possible avec un minimum de coudes et de transitions. Vérifiez l'emplacement des solives de plancher, les montants des murs, le câblage électrique ou la plomberie pour toute interférence possible. **REMARQUE :** L'appareil est expédié avec un conduit d'évacuation de 8,3 x 25,4 cm (3 1/4 x 10 po) dirigé vers le BAS. Reportez-vous à « CHANGER LA DIRECTION DE L'ÉVACUATION » de la page 11, si nécessaire.

# SPÉCIFICATIONS

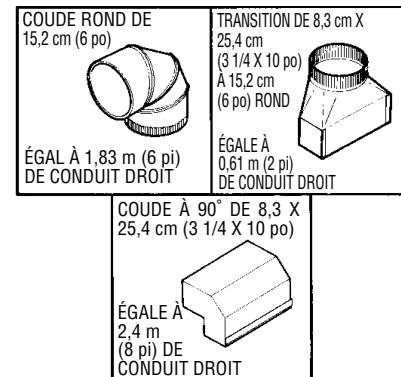
VOLTS	AMPÈRES	PCM	CONDUIT
120	4,0	500	8,3 X 25,4 cm (3 1/4 X 10 po)

# PRISE DES MESURES

1. Reportez-vous aux instructions d'installation de la surface de cuisson pour les dimensions de la surface de cuisson, du découpage du comptoir et des exigences de l'armoire. Le modèle 2730 convient pour la plupart des armoires de 76,2 cm (30 po) et le modèle 2736 convient pour la plupart des armoires de 91,4 cm (36 po). Il est cependant recommandé d'utiliser des armoires plus grandes pour faciliter l'installation.
2. La profondeur des surfaces de cuisson peut varier beaucoup d'un modèle à l'autre. Il est possible que l'installation de ces deux appareils soit particulièrement serrée.



Faites attention particulièrement aux points d'interférence possible soulignés plus haut. Un comptoir à rebord surélevé (A) et/ou à dossier (B) pourrait ne pas offrir une surface plate suffisante pour permettre une installation adéquate. Notez qu'il faut une surface de comptoir plate de 5,08 cm (2 po) et une distance de 4,45 cm (1 3/4 po) entre le bord arrière de la surface de cuisson et l'intérieur de la section arrière de l'armoire.



3. Le système fonctionnera de manière plus efficace lorsque les conduits ne dépassent pas 12,2 m (40 pi) de conduit équivalent. Le tableau ci-dessus montre l'équivalent en longueur des coudes et des transitions. La longueur des conduits droits plus l'équivalent des transitions et/ou coudes à utiliser doit être égale ou inférieure à 12,2 m (40 pi).

**REMARQUE :** L'équivalent en longueur pour les différents capuchons de mur et de toit a été pris en considération. Ne les ajoutez pas à ce calcul.

# PLANIFICATION DU CÂBLAGE

1. Le système de ventilateur à tirage vers le bas consomme 4 ampères et nécessite un circuit de 120 VCA, 60 Hz.
2. L'appareil comporte un cordon électrique de 61 cm (2 pi) avec une fiche à trois broches. Prévoyez l'installation d'une prise avec mise à la terre à un endroit permettant le branchement du cordon. (Remarque : Si le modèle 2730 est installé dans une armoire de 76,2 cm (30 po) de largeur ou le modèle modèle 2736 est installé dans une armoire de 91,4 cm (36 po) de largeur, la prise ne peut pas être fixée sur le mur arrière de l'armoire.) La prise peut aussi être montée au mur avec un trou d'accès dans l'armoire.

# PRÉPARATION

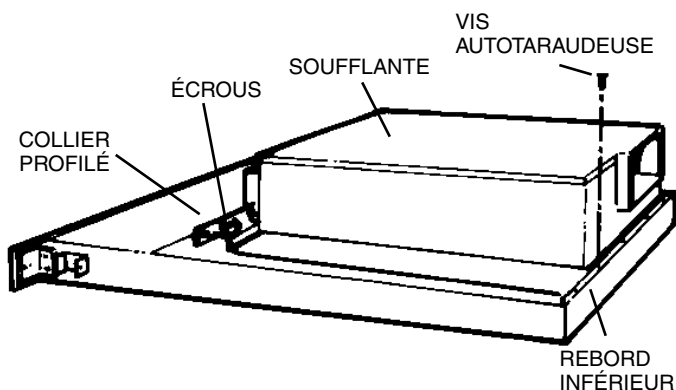
## CHANGER LA DIRECTION DE L'ÉVACUATION (optionnel)

Le ventilateur est expédié de façon à son que son évacuation soit dirigée vers le BAS. Suivez ces étapes SEULEMENT si :

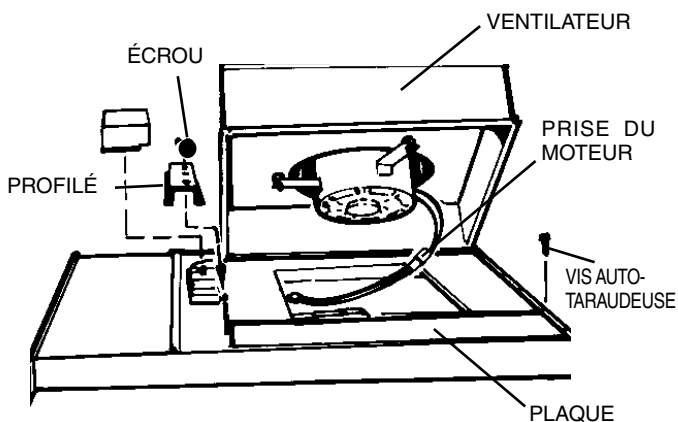
Le conduit d'évacuation doit être déplacé pour qu'il n'entrave pas les solives de plancher, la plomberie ou le câblage plus bas; il faut tourner le conduit d'évacuation vers la DROITE ou la GAUCHE.

Placez l'appareil sur le dos sur une table ou une surface de travail.

## ÉVACUATION VERS LE BAS - DÉPLACER LE VENTILATEUR VERS LA GAUCHE OU VERS LA DROITE



1. Desserrez les 4 écrous et les 2 profilés.
2. Glissez le ventilateur à la position voulue.
3. Utilisez la plaque incluse pour fermer tout espace ouvert (s'il y a lieu).
4. Resserrez les écrous à oreilles pour fixer le dessus du ventilateur et utilisez les vis autotaraudeuses par le rebord inférieur pour fixer le bas du ventilateur.

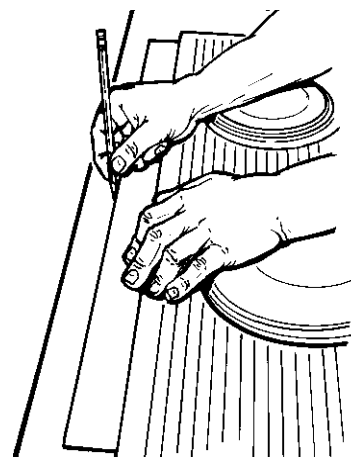


## ÉVACUATION VERS LA GAUCHE OU VERS LA DROITE

1. Retirez les 4 écrous et les 2 profilés.
2. Soulevez le ventilateur avec soin et débranchez la fiche du moteur, si nécessaire. Remplacez le ventilateur et REBRANCHEZ LA FICHE DU MOTEUR
3. Utilisez la plaque fournie pour fermer l'espace ouvert (s'il y a lieu).
4. Remplacez les profilés et utilisez les écrous pour fixer le ventilateur à sa nouvelle position.
5. Utilisez les vis autotaraudeuses par le rebord inférieur pour fixer le bas du ventilateur.

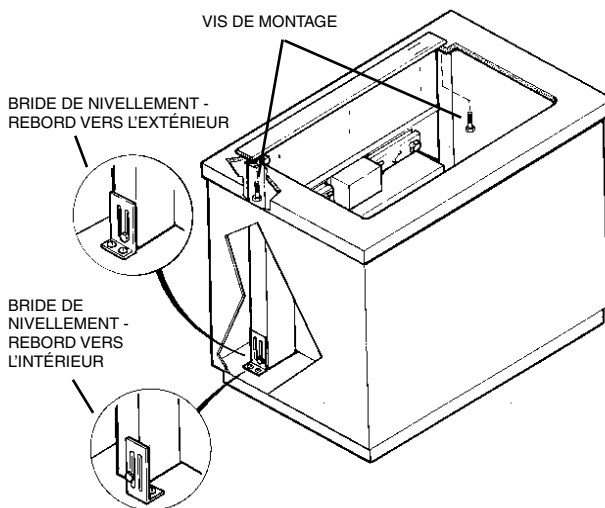
# DÉCOUPAGE DU COMPTOIR

1. Tracez et découpez la forme de la table de cuisson suffisamment vers l'AVANT afin de pouvoir insérer l'appareil derrière elle.
2. Insérez la table de cuisson et glissez-la aussi loin que possible vers l'avant. Centrez-la et alignez-la avec les bords du comptoir.



3. Placez le gabarit de plastique contre le rebord arrière de la table de cuisson et centrez-le. Tracez le contour du gabarit afin de marquer l'ouverture pour l'appareil.
4. Retirez la table de cuisson du comptoir.
5. Découpez l'ouverture pour l'appareil. Prenez soin de ne pas ébrécher les rebords du comptoir.

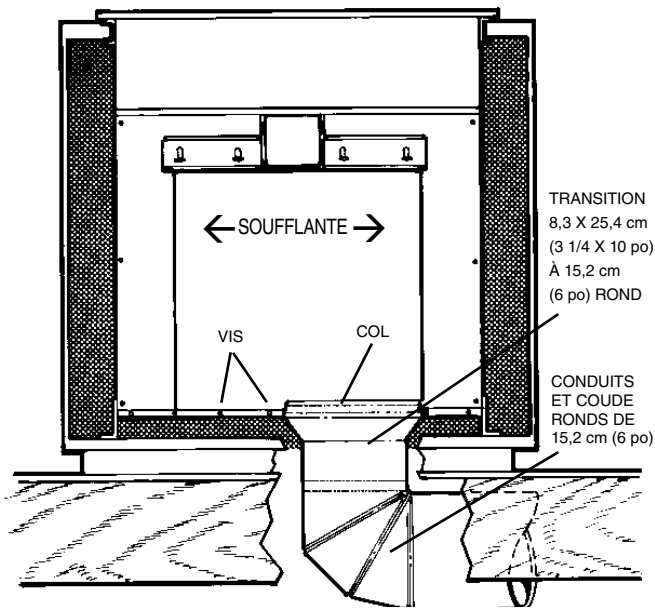
# MONTAGE DE L'APPAREIL



1. Placez l'appareil dans l'ouverture. Allongez les brides de nivellement jusqu'au plancher de l'armoire pour que l'appareil repose bien droit. (Remarque : vous pouvez enlever les brides de nivellement et les réinstaller dans d'autres positions. Le rebord inférieur peut être retourné vers l'intérieur si les dimensions de l'armoire sont très justes.)
2. Fixez l'appareil au comptoir comme suit : Tenez l'appareil contre l'arrière de l'ouverture du comptoir et serrez les 2 vis de montage (à chaque bout de l'appareil) sous le comptoir. Utilisez une cale de bois entre la vis et le dessous des comptoirs de granite.
3. Vissez les brides de nivellement au bas de l'armoire. Resserrez les vis maintenant les brides de chaque côté de l'appareil.

# INSTALLATION DES CONDUITS

**ATTENTION - AVANT DE DÉCOUPER UN TROU DANS L'ARMOIRE POUR LES CONDUITS :** Vérifiez toute interférence avec les solives du plancher, les montants des murs, les câbles électriques ou la plomberie.



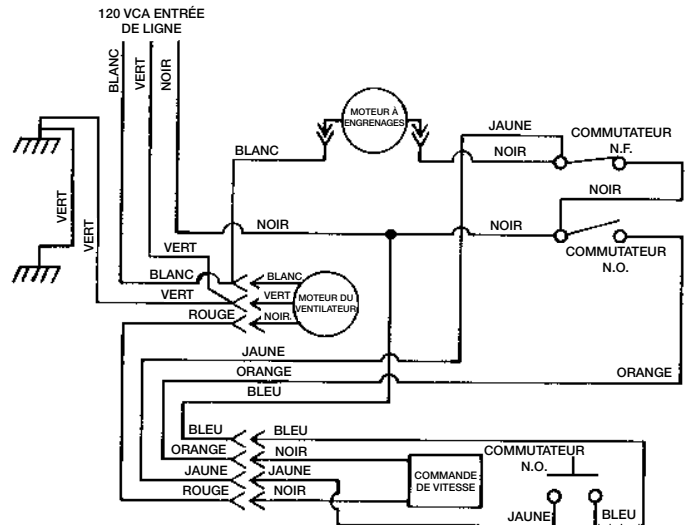
1. Découpez un trou dans l'armoire ainsi que dans le mur ou le plancher, s'il y a lieu.
2. Installez le capuchon de toit ou de mur et travaillez en progressant vers l'armoire. Installez tous les conduits, coudes et transitions comme prévu. Utilisez du ruban adhésif sur tous les joints du conduit pour les rendre sûrs et étanches.
3. Raccordez le conduit (et la transition, si nécessaire) au conduit vertical. Au besoin, **DESSERREZ** les écrous et les vis qui maintiennent le ventilateur en place, et glissez-le à gauche ou à droite pour l'aligner avec le conduit. Resserrez les vis et les écrous.

**Remarque :** Un collet de 8,3 x 25,4 (3 1/4 x 10 po) est fourni aux installateurs qui préfèrent riveter le conduit à l'appareil. Ceci permet d'enlever le ventilateur et de le remonter facilement pour son entretien sans déplacer.

# INSTALLATION DU CÂBLAGE ÉLECTRIQUE

1. Installez une boîte électrique standard avec une prise à trois alvéoles dans l'armoire. Vérifiez que le cordon d'alimentation de l'appareil peut l'atteindre facilement.
2. Acheminez le câble d'alimentation approprié jusqu'à l'armoire et raccordez-le à la prise.
3. Branchez le cordon d'alimentation de l'appareil dans la prise.

# DIAGRAMME DE CÂBLAGE



# INSTALLATION DE LA SURFACE DE CUISSON

1. Alignez la surface de cuisson avec l'appareil et fixez-la en place.

**Remarque :** Il est nécessaire de bien aligner la surface de cuisson et l'appareil pour s'assurer qu'il n'y ait aucune obstruction au moment de relever et d'abaisser le conduit d'aération. Il devrait y avoir un écart de 1 à 2 mm (1/32 à 1/16 po) entre l'arrière de la surface de cuisson et l'avant du couvercle du conduit d'aération.

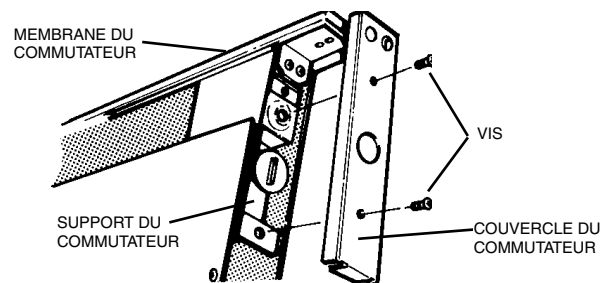
# AJUSTEMENT

L'appareil est ajusté en usine pour un bon fonctionnement. Par contre, l'expédition et la manutention peuvent affecter la position du commutateur de déclenchement.

Pour ajuster la position de ce commutateur :

**AVERTISSEMENT : Pour éviter toute électrocution possible, des blessures ou la mort, coupez le courant.**

1. Si l'appareil est branché dans une prise électrique, débranchez-le.
2. Soulevez le conduit d'aération et inclinez-le légèrement afin qu'il demeure en position ÉLEVÉE.
3. Retirez le couvercle du commutateur du côté droit du conduit d'aération.

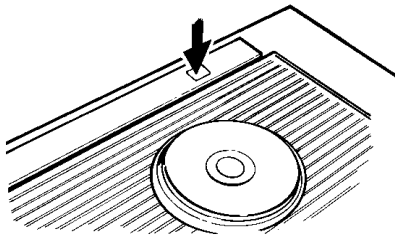


4. Desserrez les 2 vis retenant le support du commutateur en place. Placez le support du commutateur pour que le commutateur de déclenchement soit en contact avec le dessous de la membrane du commutateur. Resserrez les vis.
5. Remplacez le couvercle du commutateur, abaissez délicatement le conduit d'aération dans la cheminée et branchez le cordon d'alimentation. Remettez sous tension et vérifiez le fonctionnement.

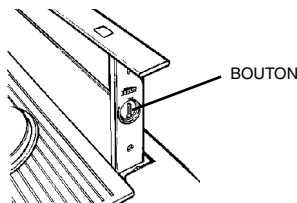
## UTILISATION ET ENTRETIEN

Mettez toujours le ventilateur à tirage vers le bas en marche avant de commencer à cuisiner afin de créer une circulation de l'air dans la cuisine. Laissez aussi fonctionner le ventilateur pendant quelques minutes pour nettoyer l'air après avoir éteint la surface de cuisson. La cuisine sera plus propre et claire.

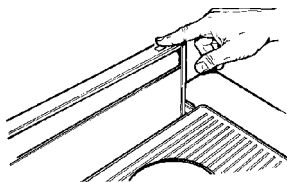
### COMMANDES



Mettez le ventilateur à tirage vers le bas en marche en enfonçant le commutateur de déclenchement. Le conduit d'aération montera.



Le ventilateur peut être mis en marche ou arrêté et sa vitesse peut être ajustée avec bouton en retrait du côté droit du conduit d'aération.



Arrêtez le ventilateur à tirage vers le bas en enfonçant le commutateur de déclenchement à nouveau. Le conduit d'aération descendra et le ventilateur s'arrêtera.

Remarque : Pour le fonctionnement le plus pratique, réglez le ventilateur à la vitesse de votre choix. Le ventilateur se mettra en marche à cette vitesse lorsque le commutateur de déclenchement sera enfoncé et le conduit d'aération se relèvera.

## UTILISATION ET ENTRETIEN - (suite)

### NETTOYAGE

**AVERTISSEMENT : Coupez toujours le courant avant de nettoyer l'appareil.**

Utilisez un détergent doux convenant aux surfaces peintes. N'UTILISEZ PAS DE TOILE ABRASIVE, DE TAMPON À RÉCURER NI DE POUDRES À RÉCURER. Nettoyez le ventilateur avec un aspirateur. Ne plongez pas le ventilateur dans l'eau.

Lavez les 2 filtres à graisses d'aluminium dans une solution de détergent doux ou au lave-vaisselle. Retirez-les du conduit d'aération en agrippant la languette sur le dessus de chaque filtre.

Remarque : Les filtres sont de tailles différentes. Assurez-vous de les replacer comme ils étaient avant de les retirer (le plus large à gauche), avec les languettes vers le HAUT.

### ENTRETIEN

**AVERTISSEMENT : Coupez toujours le courant avant tout entretien de l'appareil.**

Il faudra peut-être retirer le système du ventilateur à tirage vers le bas de l'armoire pour l'entretien et la réparation de certains composants comme le moteur du ventilateur ou le mécanisme de conduit d'aération.

Coupez d'abord le courant de la surface de cuisson et retirez-la d'abord. Suivez les étapes inverses de la section « MONTAGE DE L'APPAREIL » pour retirer l'appareil de l'armoire.

# PIÈCES DE RECHANGE

## Systèmes de ventilateur à tirage vers le bas Modèles 2730 et 2736

N° DE RÉFÉRENCE	DE PIÈCE NUMÉRO	DESCRIPTION	QTÉ
1	93400038	Bague 2,2 cm (7/8 po)	1
2	99400061	Bague fendue Heyco, 1,6 cm (5/8 po)	1
3	99400024	Bague Heyco, 1,27 cm (1/2 po)	1
4	99470016	Rouleau	1
5	97011238	Ensemble de commutateur, vers le haut/bas	1
6	97010714	Faisceau de fils, contrôle de vitesse	1
7	99260491	Écrou 3/8-32	1
8	99360165	Bouton	1
9	99100484	Isolateur de moteur	3
10	97009972	Ensemble de support du commutateur inférieur	1
11	97011293	Fil de masse vert	1
12	97010993	Faisceau de fils	1
16	98007642	Plaque de secours	1
17	97018840	Ensemble de bielle (inclut N° de référence 4, 16, 66, 68 et écrous de montage)	1
18	98010813	Couvercle du commutateur	1
19	98018523	Ensemble de cheminée (modèle 2730)(inclut N° de référence 5, 8, 19, 45, 51, 52, 71 et 84)	1
	98018524	Ensemble de cheminée (modèle 2736) (inclut N° de référence 5, 8, 19, 45, 51, 52, 71 et 84)	1
20	99080362	Moteur (avec condensateur-numéro de référence 73)	1
21	99020247	Roue à ailettes	1
22	98010810	Extension de boîte de volute	1
23	99710032	Cale	3
24	97011259	Ensemble du support supérieur, droit	1
25	97011260	Ensemble du support supérieur, gauche	1
26	97011322	Partie supérieure, inoxydable (modèle 2730)	1
	97011323	Partie supérieure, inoxydable (modèle 2736)	1
28	97018476	Ensemble de boîte de volute	1
29	97011443	Couvercle du moteur à engrenages	1
30	97010994	Ensemble de boîtier de chambre à air (modèle 2730)	1
	97010992	Ensemble de boîtier de chambre à air (modèle 2736)	1
31	98010809	Couvercle de boîte de volute	1
32	98008157	Bride de condensateur	1
33	97009786	Trousse de filtres (modèle 2730) (contient 2 filtres)	1
	97009787	Trousse de filtres (modèle 2736) (contient 2 filtres)	1
45	99090905	Chapeau d'extrémité	1
46	99080590	Moteur à engrenages	1
47	99110850	Bande coulissante	4
49	99170245	Vis, N°8-18 x ,375 SLT HX WS HD	19
50	99150471	Vis, N°10-32 x ,500 HX WS BDRH	2
51	99150491	Vis, N°8-18 x ,375 SR PH TRH	6
52	99150488	Vis, N°8-18 x ,500 N° 5 PH garniture	2
53	98010802	Couvercle, ouverture de boîtier de chambre à air (modèle 2730)	1
	98010803	Couvercle, ouverture de boîtier de chambre à air (modèle 2736)	1
54	99260488	Écrou, N°10-24	4
55	98010822	Couvercle de boîtier de chambre à air (modèle 2730)	1
	98010823	Couvercle de boîtier de chambre à air (modèle 2736)	1
56	97011500	Ensemble du support du moteur à engrenages	1
57	98008159	Bride de nivellement	2
58	99150536	Vis, 1/4-20 x 5/16	5
59	99250927	Rondelle, 1/4	2
60	99150479	Vis, N°8-32 x 1/2 PH HD MS	4
61	99160356	Vis, N°10-24 x 3/8 SH WH VERROU	1
62	99160361	Vis, N°10-24 x 3/8 PH FL HD LD	1
64	99260488	Écrou, 10-24 HEX	5
65	99260477	Écrou, 1/4-20 WHIZ VERROU	3
66	99380633	Étrier, 10-24 (inclut N° de référence 16 et écrous de montage)	1
67	99400048	Bague anti-tension	1
68	93260447	Écrou, rebord hex	1
70	98010804	Attache de boîtier de chambre à air	2
71	93270493	Fil métallique d'attache	3
73	99271000	Condensateur	1
74	99160384	Vis, 1/4-20 x 2,000 HEX HD	2
75	99150415	N°8-18 x 0,250 PH TR HD BPT	2
84	99100544	Joint - Mousse (76,2 cm/30 po)	1
	99100545	Joint -Mousse (91,4 cm/36 po)	1
**	97018534	Ensemble de ventilateur, complet (inclut les références N° 2, 9, 20, 21, 22, 28, 31, 32, 49, 58, 64, 65 et 73)	

### TROUSSES DE PORTE OPTIONNELLES

N° DE MODÈLE	DESCRIPTION
273001C	Blanc 76,2 cm (30 po)
273002C	Biscuit 76,2 cm (30 po)
273023C	Noir 76,2 cm (30 po)
273601C	Blanc 91,4 cm (36 po)
273602C	Biscuit 91,4 cm (36 po)
273623C	Noir 91,4 cm (36 po)

Les pièces de rechange peuvent maintenant être commandées de notre site Web. Veuillez nous visiter à [www.Broan.com](http://www.Broan.com)

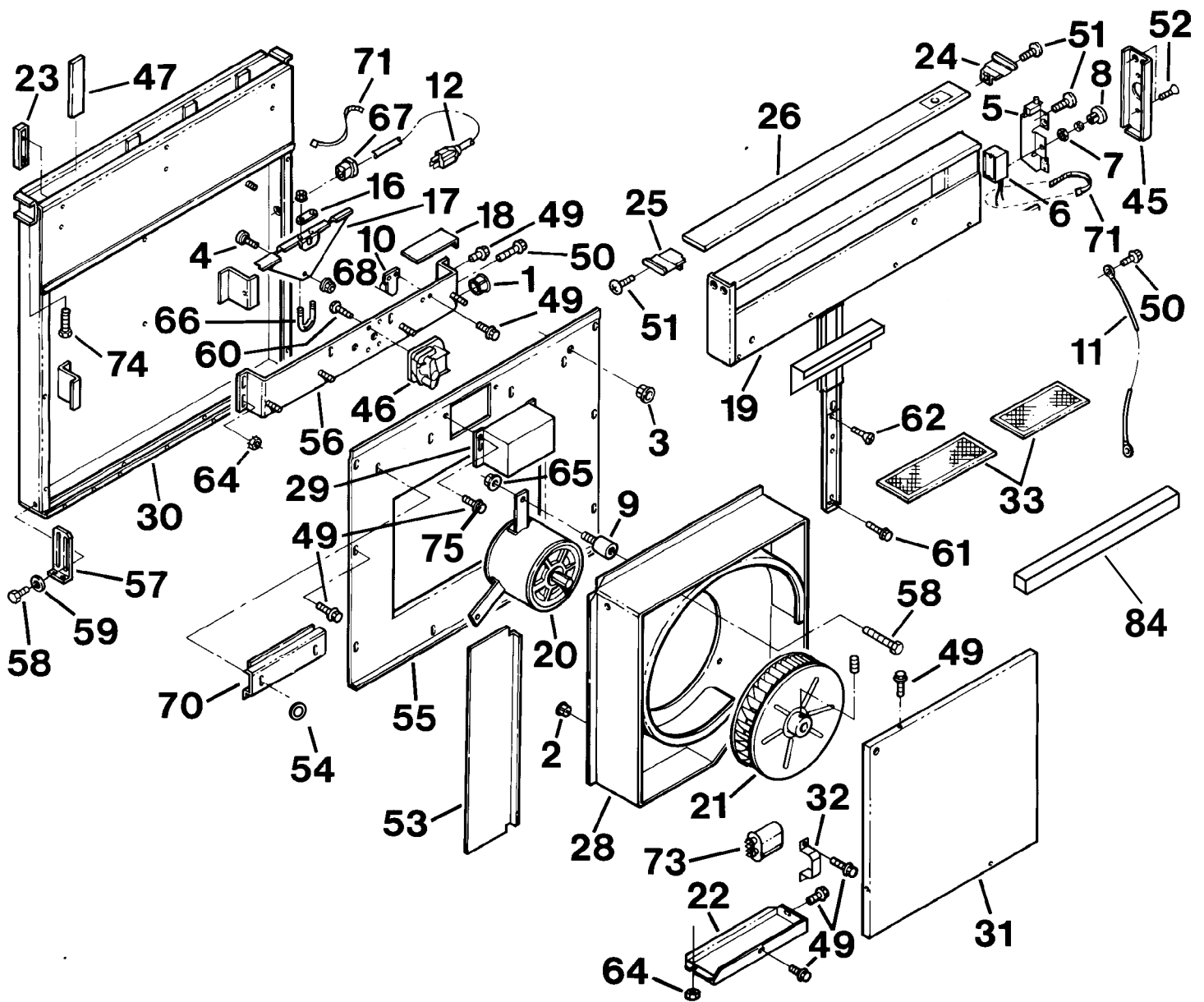
\*Quincaillerie standard - s'achète chez un détaillant local.

\*\*Jeu de réparation - contient de nombreuses pièces.

# PIÈCES DE RECHANGE

Modèles 2730 et 2736

Systèmes de ventilateur à tirage vers le bas



# GARANTIE

---

Broan-NuTone garantit à l'acheteur original que les produits vendus en vertu de la présente sont libres de tout vice de matériau ou de fabrication pour une période de un an à compter de la date d'achat originale. CETTE GARANTIE NE COMPORTE AUCUNE AUTRE GARANTIE, EXPRESSE OU TACITE, Y COMPRIS, MAIS SANS S'Y LIMITER, LES GARANTIES TACITES DE VALEUR MARCHANDE OU D'ADAPTATION À UN USAGE PARTICULIER.

Durant cette période de un an, Broan-NuTone réparera ou remplacera gratuitement, à sa discrétion, tout produit ou toute pièce jugés défectueux dans des conditions normales d'utilisation.

CETTE GARANTIE NE S'APPLIQUE PAS AUX TUBES FLUORESCENTS ET AUX DÉMARREURS, NI AUX AMPOULES HALOGENES OU INCANDESCENTES, FUSIBLES, FILTRES, CONDUITS, CAPUCHONS DE TOIT, CAPUCHONS MURAUX ET AUTRES ACCESSOIRES POUR CONDUITS. Cette garantie ne couvre pas (a) les frais d'entretien ou de service normaux ni (b) tout produit ou toute pièce soumis à un abus, une négligence, un accident, un entretien ou une réparation inadéquats (autres que ceux effectués par Broan-NuTone), une mauvaise installation ou une installation contraire aux instructions recommandées.

La durée de toute garantie tacite est limitée à la période de un an stipulée pour la garantie expresse. Certains territoires ou provinces interdisant de limiter la durée d'une garantie tacite, la limitation ci-dessus peut ne pas s'appliquer à votre situation.

L'OBLIGATION POUR BROAN-NUTONE DE RÉPARER OU DE REMPLACER LE PRODUIT, À SA DISCRÉTION, CONSTITUE LE SEUL RECOURS DE L'ACHETEUR EN VERTU DE LA PRÉSENTE GARANTIE. BROAN-NUTONE NE PEUT ÊTRE TENUE RESPONSABLE DES DOMMAGES INDIRECTS OU CONSÉCUTIFS NI DES DOMMAGES-INTÉRÊTS PARTICULIERS DÉCOULANT DE L'UTILISATION OU DU RENDEMENT DU PRODUIT. Certains territoires ou provinces ne permettant pas la limitation ou l'exclusion des dommages indirects ou consécutifs, la limitation ci-dessus peut ne pas s'appliquer à votre situation.

La présente garantie vous confère des droits spécifiques reconnus par la loi. D'autres droits pourraient également vous être accordés selon la législation locale en vigueur. La présente garantie remplace toutes les autres garanties précédentes.

Pour vous prévaloir de cette garantie, vous devez (a) aviser Broan-NuTone à l'adresse ou au numéro de téléphone indiqués ci-dessous, (b) donner le numéro de modèle du produit et le numéro d'identification de la pièce et (c) décrire la nature de la défektivité du produit ou de la pièce. Lors de votre demande de service sous garantie, vous devez présenter une preuve de la date d'achat originale.

Broan-NuTone LLC, 926 W. State Street, Hartford, Wisconsin 53027  
www.broan.com 800-558-1711

Broan-NuTone Canada, Inc., 1140 Tristar Drive, Mississauga, Ontario L5T 1H9  
www.broan.ca 877-896-1119



# **BROAN** SISTEMA DE VENTILACIÓN DE TIRO **NuTone** DESCENDENTE ECLIPSE MODELOS 2730 Y 2736 **LEA Y CONSERVE ESTAS INSTRUCCIONES**

## **⚠ PARA COCINAS DOMÉSTICAS SOLAMENTE ⚠**

### **ADVERTENCIA** ⚡ 🔥

PARA REDUCIR EL RIESGO DE INCENDIOS, DESCARGAS ELÉCTRICAS O LESIONES PERSONALES, RESPETE LO SIGUIENTE:

1. Utilice esta unidad sólo de la manera prevista por el fabricante. Si tiene dudas, comuníquese con el fabricante a la dirección o el número de teléfono que aparece en la garantía.
2. Antes de realizar el mantenimiento de la unidad o de limpiarla, desconecte la energía en el panel de servicio y bloquee el mecanismo de desconexión para evitar conectar la energía accidentalmente. Cuando no se pueda bloquear el mecanismo de desconexión, fije firmemente un dispositivo de advertencia que se destaque, como una etiqueta, en el panel de servicio.
3. Una persona capacitada debe realizar el trabajo de instalación y el cableado eléctrico conforme a los códigos y estándares correspondientes, incluidos los códigos y estándares de construcción resistentes a incendios.
4. Es necesario que haya suficiente aire para que se produzca una combustión adecuada y los gases de los equipos que consumen combustible se puedan evacuar a través del conducto de humo (chimenea) para evitar el contrarriaje. Siga las directrices y las normas de seguridad del fabricante del equipo de calefacción como las publicadas por la Asociación Nacional de Protección contra Incendios (NFPA, según siglas en inglés) y la Sociedad Americana de Ingenieros en Calefacción, Refrigeración y Aire Acondicionado (ASHRAE, según siglas en inglés) y las autoridades de códigos locales.
5. Cuando realice cortes o perforaciones en paredes o techos, no dañe el cableado eléctrico ni otros elementos ocultos de los servicios públicos.
6. No utilice esta campana para cocina con un dispositivo de control de velocidad adicional.
7. Los ventiladores entubados siempre deben ventilarse hacia el exterior.
8. Para reducir el riesgo de incendios, sólo utilice entubados de metal.
9. No instale este producto con el interruptor de activación directamente detrás de un quemador u otro elemento. La distancia mínima entre el interruptor y el borde del quemador debe ser de 4 pulgadas.
10. Nunca debe utilizar prendas de vestir amplias o colgantes cuando esté operando este artefacto. Los quemadores/elementos colocados sobre la placa de cocina pueden prenderlas fuego.
11. Este artefacto no debe estar al alcance de niños que estén solos o sin supervisión en el área donde está siendo utilizado.
12. Esta unidad debe estar conectada a tierra.

PARA REDUCIR EL RIESGO DE INCENDIOS POR GRASA EN LA COCINA:

1. Nunca deje los quemadores sin supervisión a altas temperaturas. Los derrames por ebullición generan humos y derrames grasosos que pueden encenderse. Caliente aceites lentamente en una graduación baja o media.
2. Siempre ENCIENDA la campana para cocina cuando cocine con mucho calor o cuando flambee alimentos.
3. Limpie los ventiladores con frecuencia. No se debe dejar acumular grasa en el ventilador ni en el filtro.
4. Utilice una cacerola del tamaño adecuado. Siempre utilice utensilios de cocina apropiados para el tamaño del quemador.

PARA REDUCIR EL RIESGO DE LESIONES PERSONALES EN CASO DE UN INCENDIO POR GRASA EN LA COCINA, RESPETE LO SIGUIENTE<sup>a</sup>:

1. SOFOQUE LAS LLAMAS con una tapa bien ajustada, una bandeja para hornear o una bandeja metálica y luego apague el quemador. PROCURE EVITAR QUEMADURAS. Si las llamas no se apagan inmediatamente, EVACÚE EL LUGAR Y LLAME AL DEPARTAMENTO DE BOMBEROS.

### **ADVERTENCIA** ⚡ 🔥

2. NUNCA TOQUE UNA CACEROLA EN LLAMAS: puede quemarse.
3. NO USE AGUA y tampoco toallas o repasadores húmedos: Se producirá una explosión de vapor violenta.
4. Utilice un extintor de incendios SÓLO si:
  - A. Sabe que tiene un extintor de incendios Clase ABC y ya sabe cómo utilizarlo.
  - B. El incendio es pequeño y está contenido en el área donde comenzó.
  - C. Se está llamando a los bomberos.
  - D. Puede combatir el incendio de espaldas hacia una salida.<sup>a</sup> Según los "Consejos de Seguridad para Incendios en la Cocina" publicado por la NFPA (Asociación Nacional de Protección contra Incendios, según siglas en inglés).

### **PRECAUCIÓN** ⚠

1. Sólo para uso en interiores.
2. Sólo para uso de ventilación general. No utilice este artefacto para extraer materiales y vapores explosivos o peligrosos.
3. Para evitar causar daños en el cojinete del motor y que los propulsores queden desbalanceados o ruidosos, mantenga el polvillo de paredes de yeso, polvo de construcción, etc. alejados de la unidad motriz.
4. Limpie los filtros y las superficies llenas de grasa en forma frecuente.
5. No repare ni reemplace ninguna pieza de este artefacto a menos que se recomiende específicamente en este manual. Todas las demás actividades de mantenimiento deben ser llevadas a cabo por un técnico calificado.
6. Lea la etiqueta de especificaciones del producto para obtener más información y requisitos.

## **INSTRUCCIONES PARA LA PUESTA A TIERRA**

ADVERTENCIA - Este aparato debe estar conectado a tierra. En caso de un corto circuito eléctrico, la puesta a tierra reduce el riesgo de una descarga eléctrica al suministrar un cable de escape para la corriente eléctrica. Este aparato está equipado con un cordón que tiene un cable con una clavija a tierra. La clavija debe conectarse a una toma eléctrica que esté instalada y conectada a tierra adecuadamente.

ADVERTENCIA - Una instalación inadecuada a tierra puede tener el riesgo de una descarga eléctrica.

Consulte a un electricista calificado si no se entienden totalmente las instrucciones de puesta a tierra, o si tiene alguna duda en cuanto a la conexión a tierra apropiada del aparato.

No utilice una extensión eléctrica. Si el cordón de la fuente de alimentación es demasiado corto, solicite a un electricista calificado que instale una toma eléctrica cerca del aparato.

Registre su producto en línea en: [www.broan.com/register](http://www.broan.com/register)

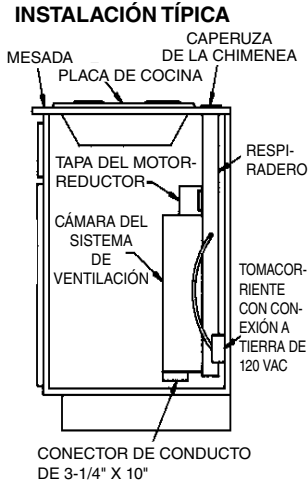
**INSTALADOR:** guarde este manual para que lo puedan utilizar el inspector eléctrico y el dueño de la casa.  
**DUEÑO DE CASA:** la información sobre el uso y mantenimiento se encuentra en la página 21.

# PREPARACIÓN

Este sistema de ventilación de tiro descendente está diseñado para eliminar los contaminantes suspendidos en el aire que se generan al cocinar con una variedad de placas de cocina eléctricas o a gas. Se puede montar sobre islas, barras de cocina o en ubicaciones convencionales contra la pared.

La unidad se puede instalar fácilmente siguiendo estos pasos básicos:

- Corte la abertura de la mesada.
- Monte la unidad en el armario.
- Conecte el entubado y el suministro eléctrico.
- Instale la placa de cocina.



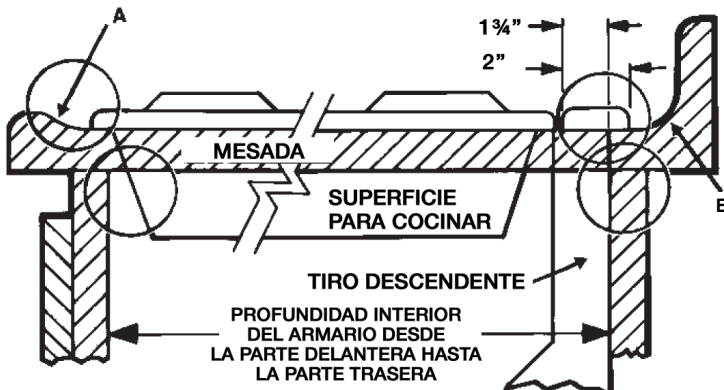
**Nota:** el alto nivel de flujo de aire de este artefacto puede afectar la llama de gas en algunas clases de placas de cocina. Esto es NORMAL y no causará daño alguno, pero se puede corregir mediante la reducción de la velocidad del soplador.

# ESPECIFICACIONES

VOLTIOS	AMPERIOS	CFM	TUBO
120	4,0	500	3-1/4 X 10

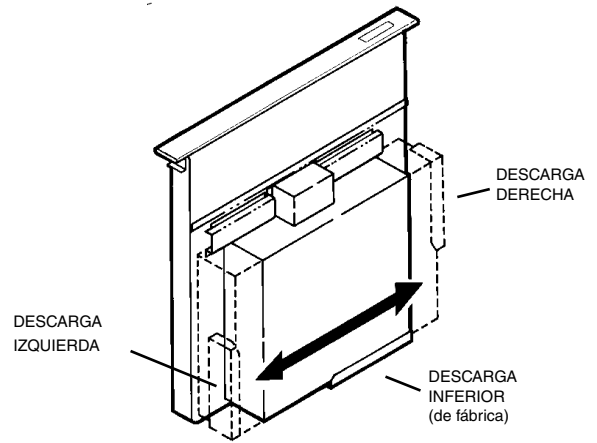
# CÓMO TOMAR MEDIDAS

1. Consulte las dimensiones de la placa de cocina, el recorte de la mesada y los requisitos del armario en las instrucciones de instalación de la placa de cocina. El Modelo 2730 cabe en la mayoría de los armarios de 30" de ancho y el Modelo 2736 cabe en la mayoría de los armarios de 36" de ancho. Sin embargo, se recomienda el uso de armarios de mayor tamaño para una instalación más sencilla.
2. La profundidad de la placa de cocina puede variar en gran medida de un modelo a otro. Esto puede hacer que los dos artefactos queden colocados de manera algo ajustada.

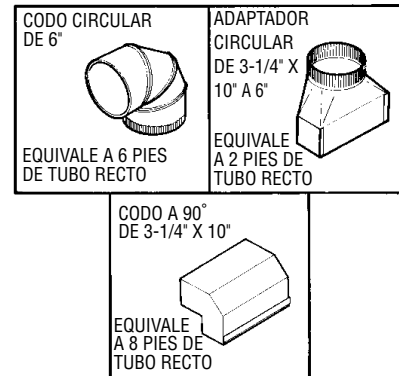


Preste especial atención a las áreas de potencial interferencia que están resaltadas en la parte que aparece más arriba. Es posible que una mesada con (A) un labio elevado y/o (B) un salpicadero no ofrezca un espacio suficiente de mesada plana para lograr una instalación correcta. Observe que se requieren 2" de mesada plana detrás de la placa de cocina y que se necesita 1-3/4" entre el borde trasero de la placa de cocina y la parte interna de la parte posterior del armario.

# PLANIFICACIÓN DEL ENTUBADO



1. Este sistema de ventilación de tiro descendente está diseñado para ser utilizado con entubados de 3-1/4" x 10" (puede incluir adaptadores circulares a 6"). Hay disponibles tres direcciones de descarga diferentes con ajustes laterales para su alineación precisa con el entubado.
2. Para un mejor rendimiento: Elija la opción de entubado que requiera la menor extensión de entubado y el número mínimo de codos y adaptadores. Verifique la ubicación de las viguetas del piso, los puntales de la pared, el cableado eléctrico o los accesorios de fontanería para corroborar una posible interferencia. **NOTA:** La unidad se envía de fábrica con una descarga de 3-1/4" x 10" orientada hacia ABAJO. Consulte "CÓMO MODIFICAR LA DIRECCIÓN DEL SISTEMA DE VENTILACIÓN" en la página 3, en caso de ser necesario.



3. El sistema funcionará con mayor eficacia si el entubado no excede el equivalente a 40 pies de conducto. El gráfico que figura arriba muestra las equivalencias en pies de los codos y adaptadores. La cantidad de pies de conducto recto más los equivalentes en pies correspondientes a los adaptadores y/o codos que se utilizarán debe ser igual a 40 pies o menos.

**NOTA:** Se han tomado en cuenta los equivalentes en pies de diferentes sombreretes para techos y paredes. No los incluya en este cálculo.

# PREPARACIÓN PARA EL CABLEADO

1. El sistema de ventilación de tiro descendente demanda 4 AMP y requiere un circuito de 120 VAC, 60 Hz.
2. La unidad tiene un cable de alimentación de 2 pies de largo con un enchufe de 3 espigas. Tome los recaudos pertinentes para colocar un tomacorriente con conexión a tierra en una ubicación al alcance del cable de alimentación. (Nota: si el Modelo 2730 se instala en un armario de 30" de ancho o el Modelo 2736 se instala en un armario de 36" de ancho, no puede colocarse el tomacorriente en la pared trasera del armario). El tomacorriente puede montarse en la pared, con un orificio de acceso en el armario.

# PREPARACIÓN

## CÓMO MODIFICAR LA DESCARGA DEL SOPLADOR (opcional)

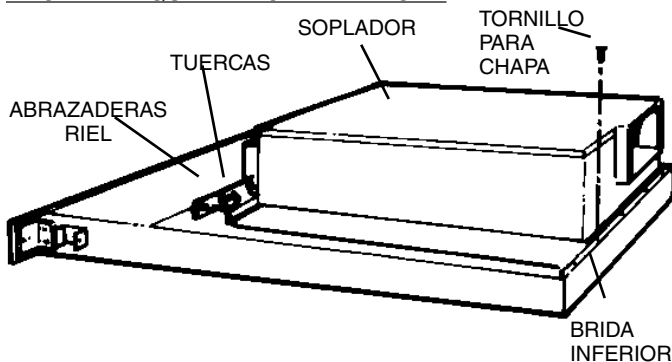
El soplador se envía con la descarga hacia ABAJO. Siga estos pasos SÓLO si:

Se necesita cambiar la posición de descarga del sistema de ventilación de manera que el entubado no interfiera con las viguetas del piso, los accesorios de fontanería y el cableado que se encuentran debajo de él.

Es necesario rotar la descarga del soplador hacia la DERECHA o IZQUIERDA.

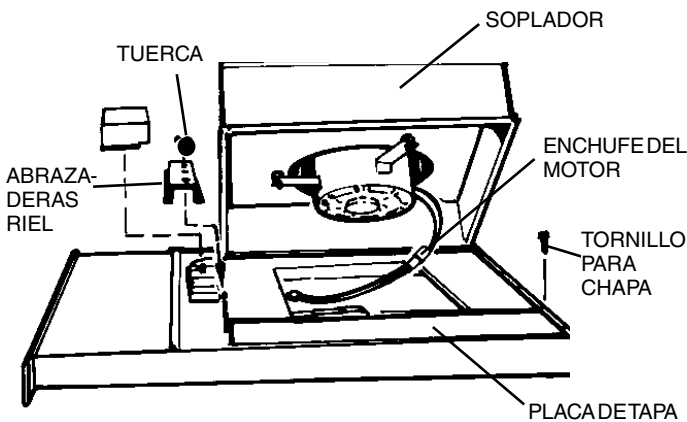
Coloque la unidad con su parte trasera sobre una mesa o superficie de trabajo.

### DESCARGA HACIA ABAJO - CÓMO MOVER EL SOPLADOR HACIA LA IZQUIERDA O LA DERECHA



1. Afloje las 4 tuercas y las 2 abrazaderas riel.
2. Deslice el soplador a la posición deseada.
3. Utilice la placa de tapa provista para cerrar el espacio abierto (en caso que haya).
4. Ajuste las tuercas mariposa para asegurar la parte superior del soplador y coloque los tornillos para chapa a través de la brida inferior para asegurar la parte inferior del soplador.

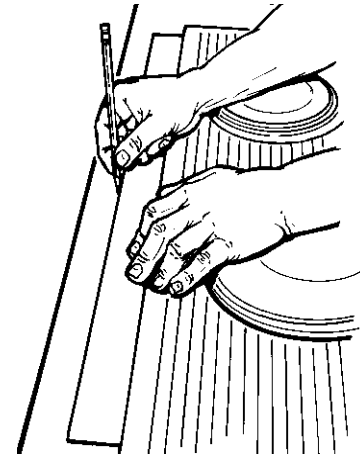
### DESCARGA HACIA LA IZQUIERDA O LA DERECHA



1. Quite las 4 tuercas y las 2 abrazaderas riel.
2. Con cuidado, levante el soplador y desconecte el enchufe del motor en caso de ser necesario. Reposicione el soplador y VUELVA A CONECTAR EL ENCHUFE DEL MOTOR.
3. Utilice la placa de tapa provista para cerrar el espacio abierto (en caso que haya).
4. Vuelva a colocar las abrazaderas de canal y utilice las tuercas para asegurar el soplador en su nueva posición.
5. Coloque tornillos para chapa a través de la brida inferior para asegurar la parte inferior del soplador.

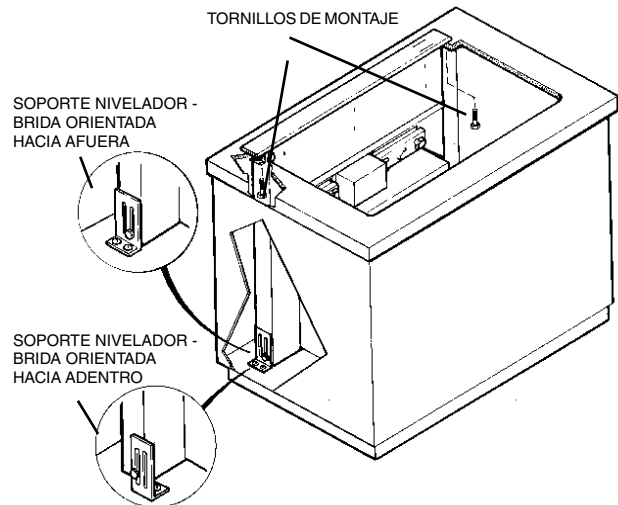
# CORTE LA ABERTURA DE LA MESADA

1. Coloque y corte la placa de cocina lo más hacia ADELANTE posible para que sistema de tiro descendente quepa detrás de ella.
2. Coloque la placa de cocina en su lugar y deslícela hacia adelante tanto como sea posible. Céntrela y ubique los bordes en posición paralela a los bordes de la mesada.



3. Coloque la plantilla de plástico contra la brida posterior de la placa de cocina y céntrela. Trace una línea alrededor de la plantilla para marcar la abertura del tiro descendente.
4. Quite la placa de cocina de la mesada.
5. Corte la abertura del tiro descendente. Procure no resquebrajar los bordes de la mesada.

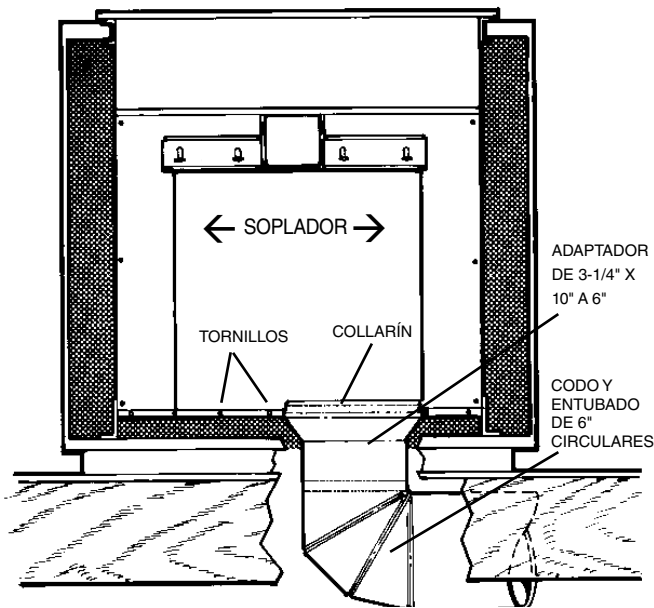
# MONTAJE DE LA UNIDAD



1. Ubique el tiro descendente en la abertura. Coloque los soportes niveladores sobre el piso del armario para que el tiro descendente quede derecho. (Nota: los soportes niveladores pueden quitarse y volver a colocarse en otras posiciones. Es posible que la brida inferior deba orientarse hacia adentro en las instalaciones en armarios pequeños.)
2. Asegure el tiro descendente a la mesada de la siguiente manera: Sostenga el sistema de tiro descendente contra la parte posterior del recorte de la mesada y ajuste los 2 tornillos de montaje (uno en cada extremo de la unidad) en la parte interna de la mesada. Coloque una lámina de madera entre el tornillo y la parte interna de las mesadas de granito.
3. Atornille los soportes niveladores a la parte inferior del armario. Ajuste los tornillos que fijan los soportes niveladores a la unidad en cada lado.

# INSTALACIÓN DE LOS ENTUBADOS

**PRECAUCIÓN:** ANTES DE CORTAR ORIFICIOS EN EL ARMARIO PARA LOS ENTUBADOS: Verifique la presencia de interferencia con las viguetas del piso, los puntales de la pared, el cableado eléctrico o los accesorios de fontanería.



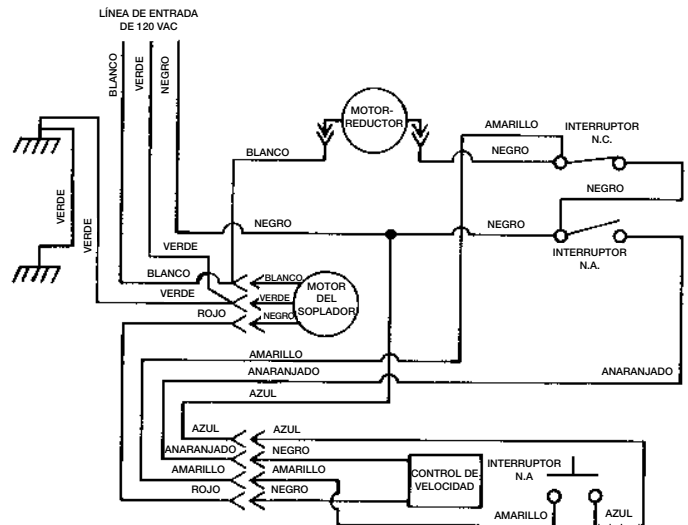
1. Corte orificios en el armario y en la pared o el piso según sea necesario.
2. Instale en primer lugar el sombrerete para techo o pared y trabaje en sentido contrario, hacia el armario, fijando los entubados, los codos y los adaptadores según se planificó previamente. Encinte todas las conexiones de los entubados para asegurarlas y hermetizarlas.
3. Conecte los entubados (y los adaptadores, si los necesita) al tiro descendente. Si fuera necesario, AFLOJE las tuercas y los tornillos que sujetan el sistema de ventilación y deslícelo hacia la izquierda o la derecha para hacerlo coincidir con el entubado. Vuelva a ajustar los tornillos y las tuercas.

**Nota:** se provee un collarín de 3-1/4" x 10" para los instaladores que prefieren remachar el entubado a la unidad. Esto permitirá extraer y volver a colocar con facilidad el sistema de ventilación cuando se necesite realizar el mantenimiento sin interferir con el entubado.

# INSTALACIÓN DEL CABLEADO ELÉCTRICO

1. Monte una caja de cableado estándar, con un receptáculo de 3 espigas, dentro del armario. Asegúrese de que el cable de alimentación del sistema de ventilación de tiro descendente llegue a la caja con facilidad.
2. Pase el cable de alimentación apropiado en el armario y conéctelo al receptáculo.
3. Conecte el cable de alimentación del sistema de ventilación de tiro descendente al tomacorriente.

# DIAGRAMA DE CABLEADO



# INSTALACIÓN DE LA PLACA DE COCINA

1. Alinee la placa de cocina con el sistema de ventilación de tiro descendente y asegure la placa de cocina en su lugar.

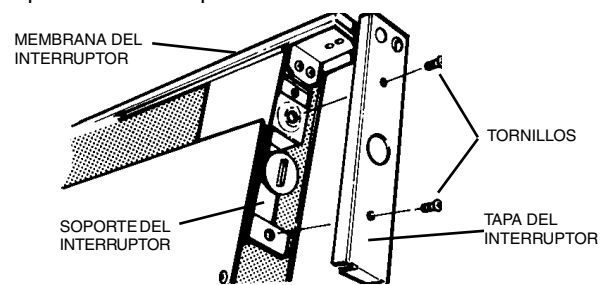
**Nota:** es necesario alinear correctamente la placa de cocina y el sistema de ventilación de tiro descendente para asegurar que no haya interferencia cuando se suba o baje el respiradero. Debe haber un espacio de 1/32"-1/16" entre la parte posterior de la placa de cocina y la parte delantera de la tapa del sistema de ventilación de tiro descendente.

# AJUSTES

El sistema de ventilación de tiro descendente se ajusta en fábrica para que funcione de manera correcta. Sin embargo, el envío y la manipulación pueden afectar la posición del interruptor de activación. Para ajustar la posición del interruptor de activación:

**ADVERTENCIA:** para evitar posibles descargas eléctricas, lesiones personales o la muerte, desconecte el suministro eléctrico.

1. Si el sistema de ventilación de tiro descendente está enchufado en el tomacorriente, desenchúfelo.
2. Levante el respiradero hacia arriba y ladéelo levemente para que permanezca en posición VERTICAL.

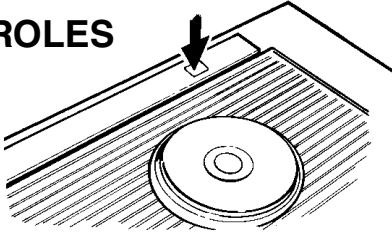


3. Quite la tapa del interruptor del extremo derecho del respiradero.
4. Afloje los 2 tornillos que sostienen el soporte del interruptor en su lugar. Coloque el soporte del interruptor de activación de manera de que haga contacto con la parte interna de la membrana. Ajuste los tornillos.
5. Vuelva a colocar la tapa del interruptor, introduzca el respiradero en la chimenea con cuidado y enchufe el cable de alimentación. Vuelva a conectar la energía eléctrica y verifique la operación.

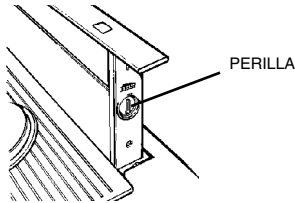
# USO Y MANTENIMIENTO

Encienda siempre el sistema de ventilación de tiro descendente antes de comenzar a cocinar para crear un flujo de aire en la cocina. Deje el sistema de ventilación en funcionamiento durante algunos minutos para limpiar el aire después de que apagar la placa de cocina. Esto mantendrá toda la cocina más limpia y brillante.

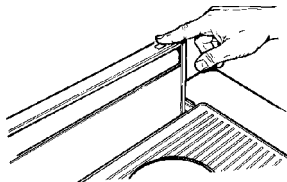
## CONTROLES



ENCIENDA el sistema de ventilación de tiro descendente presionando el interruptor de activación. Se levantará el respiradero.



El soplador puede ENCENDERSE o APAGARSE y se puede ajustar su velocidad con la perilla empotrada ubicada en el lado derecho del respiradero.



APAGUE el sistema de ventilación de tiro descendente presionando el interruptor de activación nuevamente. El respiradero descenderá y el sistema de ventilación se APAGARÁ.

Nota: para lograr un funcionamiento más conveniente, configure el sistema de ventilación en la velocidad preferida. El sistema funcionará a esta velocidad cada vez que presione el interruptor de activación y se eleve el respiradero.

# USO Y MANTENIMIENTO

## (Continuación)

## LIMPIEZA

**ADVERTENCIA: Siempre desconecte el suministro de energía eléctrica antes de limpiar la unidad.**

Utilice un detergente suave adecuado para las superficies pintadas. NO UTILICE TELA ABRASIVA, ESPONJAS METÁLICAS NI POLVOS LIMPIADORES. Aspire el sistema de ventilación para limpiarlo. No sumerja el soplador en agua.

Lave los 2 filtros de aluminio para grasa en una solución de detergente suave o en el lavavajillas. Para extraerlos del respiradero, tome las lengüetas que se encuentran en la parte superior de cada filtro.

Nota: los filtros tienen tamaños diferentes. Asegúrese de volver a colocarlos en la misma posición de la que los extrajo (el más ancho sobre la izquierda), con las lengüetas HACIA ARRIBA.

## MANTENIMIENTO

**ADVERTENCIA: Siempre desconecte el suministro de energía eléctrica antes de realizar el mantenimiento a la unidad.**

Quizás sea necesario extraer el sistema de ventilación de tiro descendente del armario para realizar el mantenimiento de componentes tales como el motor o el mecanismo del respiradero.

Interrumpa el suministro eléctrico de la placa de cocina y remuévala primero. Invierta el orden de los pasos de "MONTAJE DE LA UNIDAD" para extraer el sistema de ventilación de tiro descendente del armario.

# PIEZAS DE REPUESTO

## Sistemas de ventilación de tiro descendente Modelos 2730 y 2736

N.º DE REFERENCIA	NÚMERO DE PIEZA	DESCRIPCIÓN	CANT.
1	93400038	Casquillo, 7/8"	1
2	99400061	Casquillo partido Heyco 5/8"	1
3	99400024	Casquillo Heyco 1/2"	1
4	99470016	Rodillo	1
5	97011238	Juego de interruptor, hacia arriba/hacia abajo	1
6	97010714	Mazo de cables, control de velocidad	1
7	99260491	Tuerca de 3/8-32	1
8	99360165	Perilla	1
9	99100484	Aislador del motor	3
10	97009972	Conjunto de soporte del interruptor inferior	1
11	97011293	Cable verde de conexión a tierra	1
12	97010993	Mazo de cables	1
16	98007642	Placa de apoyo	1
17	97018840	Conjunto de eje (Incluye N.º de referencia 4, 16, 66, 68 y tuercas de montaje)	1
18	98010813	Tapa de interruptor	1
19	98018523	Montaje de chimenea (Modelo 2730) (Incluye N.º de referencia 5, 8, 19, 45, 51, 52, 71 y 84)	1
	98018524	Montaje de chimenea (Modelo 2736) (Incluye N.º de referencia 5, 8, 19, 45, 51, 52, 71 y 84)	1
20	99080362	Motor (con condensador N.º de referencia 73)	1
21	99020247	Rueda del soplador	1
22	98010810	Extensión de caja de voluta	1
23	99710032	Espaciador	3
24	97011259	Conjunto de soporte superior derecho	1
25	97011260	Conjunto de soporte superior izquierdo	1
26	97011322	Parte superior, acero inoxidable (Modelo 2730)	1
	97011323	Parte superior, acero inoxidable (Modelo 2736)	1
28	97018476	Conjunto de la caja de volutas	1
29	97011443	Tapa del motorreductor	1
30	97010994	Conjunto de cámara de aire (Modelo 2730)	1
	97010992	Conjunto de cámara de aire (Modelo 2736)	1
31	98010809	Tapa de la caja de volutas	1
32	98008157	Correa del condensador	1
33	97009786	Juego de filtros (Modelo 2730) (contiene 2 filtros)	1
	97009787	Juego de filtros (Modelo 2736) (contiene 2 filtros)	1
45	99090905	Sombbrero de extremo	1
46	99080590	Motorreductor	1
47	99110850	Tira de deslizamiento	4
49	99170245	Tornillo de cabeza hexagonal ranurada para madera HD N.º 8-18 x .375	19
50	99150471	Tornillo de cabeza hexagonal para madera N.º 10-32 x .500 BDRH	2
51	99150491	Tornillo N.º 8-18 x .375 SR PH TRH	6
52	99150488	Tornillo N.º 8-18 x .500 N.º 5 PH	2
53	98010802	Tapa de abertura de la cámara de aire (Modelo 2730)	1
	98010803	Tapa de abertura de la cámara de aire (Modelo 2736)	1
54	99260488	Tuerca N.º 10-24	4
55	98010822	Tapa de la cámara de aire (Modelo 2730)	1
	98010823	Tapa de la cámara de aire (Modelo 2736)	1
56	97011500	Conjunto de soportes del motorreductor	1
57	98008159	Soporte de pata	2
58	99150536	Tornillo de 1/4-20 x 5/16	5
59	99250927	Arandela de 1/4	2
60	99150479	Tornillo N.º 8-32 x 1/2 PH HD MS	4
61	99160356	Tornillo N.º 10-24 x 3/8 SH WH LOCK	1
62	99160361	Tornillo N.º 10-24 x 3/8 PH FL HD LD	1
64	99260488	Tuerca hexagonal 10-24	5
65	99260477	Tuerca de 1/4-20 WHIZ LOCK	3
66	99380633	Perno en U de 10-24 (Incluye N.º de referencia 16 y tuercas de montaje)	1
67	99400048	Prensacables	1
68	93260447	Tuerca de brida hexagonal	1
70	98010804	Abrazadera de la cámara de aire	2
71	93270493	Atadura de cable	3
73	99271000	Condensador	1
74	99160384	Tornillo de cabeza hexagonal de 1/4-20 x 2.000	2
75	99150415	BPT Phillips N.º 8-18 x .250	2
84	99100544	Sello - Espuma (30")	1
	99100545	Sello - Espuma (36")	1
**	97018534	Conjunto de soplador completo (Incluye N.º de referencia 2, 9, 20, 21, 22, 28, 31, 32, 49, 58, 64, 65 y 73)	

### JUEGOS OPCIONALES DE PUERTAS

N.º DE MODELO	DESCRIPCIÓN
273001C	30" blanco
273002C	30" marrón claro
273023C	30" negro
273601C	36" blanco
273602C	36" marrón claro
273623C	36" negro

Se pueden solicitar las piezas de repuesto en nuestro sitio web. Visitenos en [www.Broan.com](http://www.Broan.com)

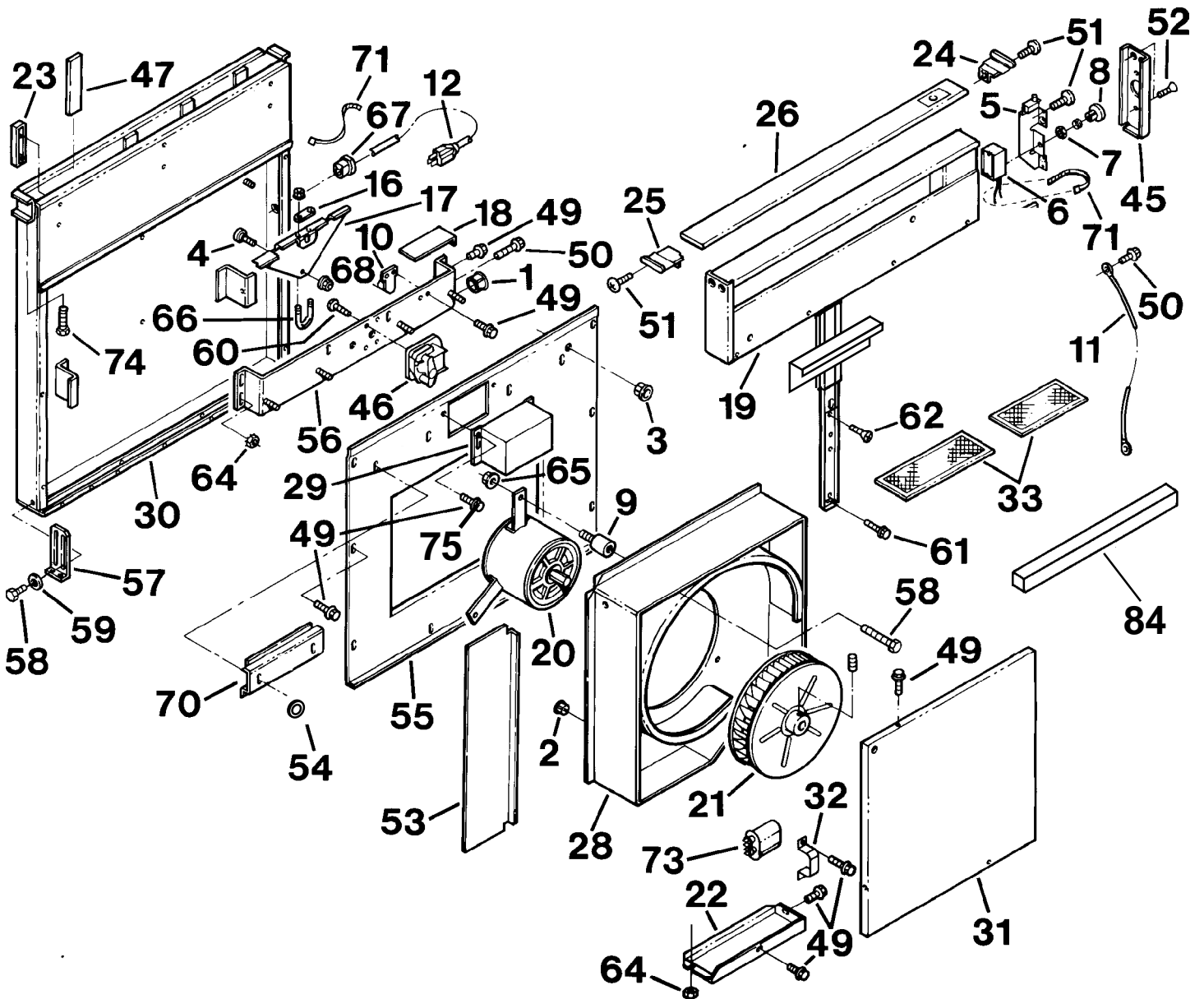
\*Herrajes estándar: se pueden comprar en una tienda local.

\*\*Conjunto para reparaciones: contiene numeroso repuestos.

# PIEZAS DE REPUESTO

Modelos 2730 y 2736

Sistema de ventilación de tiro descendente



# GARANTÍA

---

Broan-NuTone garantiza al consumidor comprador original de sus productos que dichos productos carecerán de defectos en materiales o en mano de obra por un período de un año a partir de la fecha original de compra. NO EXISTEN OTRAS GARANTÍAS, EXPLÍCITAS O IMPLÍCITAS, INCLUYENDO, ENTRE OTRAS, GARANTÍAS IMPLÍCITAS DE COMERCIALIZACIÓN O APTITUD PARA UN PROPÓSITO PARTICULAR.

Durante el período de un año, y a su propio criterio, Broan-NuTone reparará o reemplazará, sin costo alguno, cualquier producto o pieza que se encuentre defectuosa bajo condiciones normales de servicio y uso.

LA PRESENTE GARANTÍA NO CUBRE LOS TUBOS FLUORESCENTES NI SUS ARRANCADORES, BOMBILLAS DE HALÓGENO E INCANDESCENTES, FUSIBLES, FILTROS, CONDUCTOS, TAPONES DE TECHO O PAREDES Y DEMÁS ACCESORIOS PARA CONDUCTOS. Esta garantía no cubre (a) mantenimiento y servicio normales o (b) cualesquiera productos o piezas que hayan sido utilizados de forma errónea, negligente, que hayan causado un accidente, o que hayan sido reparados o mantenidos inapropiadamente (por otras compañías que no sean Broan-NuTone), instalación defectuosa, o instalación contraria a las instrucciones de instalación recomendadas.

La duración de cualquier garantía implícita se limita a un período de un año como se especifica en la garantía expresa. Algunos estados no permiten limitaciones en cuanto al tiempo de vencimiento de una garantía implícita, por lo que la limitación antes mencionada puede no aplicarse a usted.

LA OBLIGACIÓN DE BROAN-NUTONE DE REPARAR O REEMPLAZAR, SIGUIENDO EL CRITERIO DE BROAN-NUTONE, DEBERÁ SER EL ÚNICO Y EXCLUSIVO RECURSO LEGAL DEL COMPRADOR BAJO ESTA GARANTÍA. BROAN-NUTONE NO SERÁ RESPONSABLE POR DAÑOS INCIDENTALES, CONSECUENTES, O POR DAÑOS ESPECIALES QUE SURJAN A RAÍZ DEL USO O DESEMPEÑO DEL PRODUCTO. Algunos estados no permiten la exclusión o limitación de daños incidentales o consecuentes, por lo que la limitación antes mencionada puede no aplicarse a usted.

Esta garantía le proporciona derechos legales específicos, y usted puede también tener otros derechos, los cuales varían de estado a estado. Esta garantía reemplaza todas las garantías anteriores.

Para calificar para la garantía de servicio, usted debe (a) notificar a Broan-NuTone al domicilio o al número de teléfono que se menciona abajo, (b) dar el número del modelo y la identificación de la pieza, y (c) describir la naturaleza de cualquier defecto en el producto o la pieza. En el momento de solicitar servicio cubierto por la garantía, usted debe de presentar un comprobante con la fecha original de compra.

Broan-NuTone LLC, 926 W. State Street, Hartford, Wisconsin 53027  
www.broan.com +1 800-558-1711

Broan-NuTone Canada, Inc., 1140 Tristar Drive, Mississauga, Ontario L5T 1H9  
www.broan.ca +1 877-896-1119