

INSTALLATION INSTRUCTIONS

Gas Cooktop

CG244D, CG305D & CG365D
models

US CA

Fisher & Paykel

www.fisherpaykel.com

590486F 06.16

① SAFETY AND WARNINGS

⚠ WARNING!



Electrical Shock Hazard

Disconnect product from the mains power supply before servicing. This appliance is equipped with a three-prong grounding plug for your protection against shock hazard and should be plugged directly into a properly grounded power outlet. Do not under any circumstances cut or remove the grounding prong from this plug. Failure to follow this advice may result in electrical shock or death.

⚠ WARNING!



Cut Hazard

Take care - panel edges are sharp. Failure to use caution could result in injury or cuts.

IMPORTANT SAFETY INSTRUCTIONS

- This appliance shall be installed in accordance with the installation requirements of the local gas authority or the appropriate installation code or in the absence of local codes with the latest National Fuel Gas Code NFPA 54/ANSI Z223.1 or CAN/CSA B149.1,2 (Canada). Local building and electrical codes must be adhered to.
- Electrical installation must be in accordance with the National Electrical Code, ANSI/NFPA70 - latest edition or CSA C22.1 (Canada) and/or local codes.
- Installation in manufactured (mobile) home: installation must conform with the Manufactured Home Construction and Safety Standard, Title 24 CFR, Part 3280 [formerly the Federal Standard for Mobile Home Construction and Safety, Title 24, HUD (Part 280)] or, when such standard is not applicable, the Standard for Manufactured Home Installations, ANSI/NFPA 225, or with local codes where applicable.
- Installation in Recreational Park Trailers: installation must conform with state or other codes or, in the absence of such codes, with the Standard for Recreational Park Trailers, ANSI A119.5.
- Do not remove permanently affixed labels, warnings, or plates from the product. This may void the warranty.
- Flexible appliance connectors shall meet the requirements of ANSI Z21.24 and State Boards. They shall not exceed 35 1/2 inches (900 mm) in length. In order to avoid hazard, these appliances must be installed according to these instructions.
- This appliance must be installed by an authorized person (Warning: this appliance must be installed by a licensed plumber or gas fitter when within the Commonwealth of Massachusetts).
- Please make this information available to the person installing the appliance as it could reduce your installation costs.

- Please leave these instructions with the appliance. Inform the customer to retain for future reference and for the local inspectors' use.
- Failure to install the appliance correctly could invalidate any warranty or liability claims.
- Leak testing of the appliance shall be conducted according to the manufacturer's instructions. Only genuine replacement parts may be used for servicing the appliance. These are available from your nearest Fisher & Paykel Service Center.

Before you install the appliance, please make sure that

- the local distribution conditions (nature of gas and pressure) and the adjustment of the appliance are compatible. For adjustment conditions for this appliance, see 'Gas rate summary' under step 3.
- a suitable isolating switch is incorporated in the fixed wiring in an acceptable position.
- the appliance is connected to a power outlet that is electrically grounded in accordance with local codes or in the absence of local codes, with the National Electric Code ANSI/NFPA 70 or CSA C22.2 (Canada).
- there is a power outlet (110-120V 60Hz) within reach of the appliance cable (35 1/2" (900 mm) from the center rear of the appliance). This must be accessible after installation. The mains power supply cable should not touch any metal parts.
- the countertop is square and level and no structural members interfere with space requirements
- the countertop is made of heat-resistant material.
- you take note of the following recommended non-combustible materials: 1/4" (6 mm) flame retardant millboard covered with not less than No. 28 MSG sheet steel, 1/32" (0.4 mm) stainless steel, 1/32" (0.6 mm) aluminum or 1/32" (0.5 mm) copper.
- the gas shut-off valve is accessible after installation.
- if the power supply cable is damaged, it is replaced only by the special cable: Part no. 531954 FLEX TERMINAL BLOCK ASSY US, obtainable from authorized Fisher & Paykel Service Agents.

IMPORTANT! SAVE THESE INSTRUCTIONS

The models shown in this installation guide may not be available in all markets and are subject to change at any time. For current details about model and specification availability in your country, please go to our website www.fisherpaykel.com or contact your local Fisher & Paykel dealer.

2 PARTS SUPPLIED



Wok stand (1)



Small pan support (1)
(CG305D & CG365D models only)



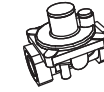
Fibre washers (1)



Elbow 1/2" NPT external thread (1)



Clamping brackets (4) and screws (4)

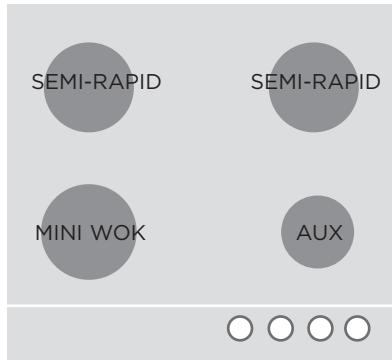


Regulator (1)

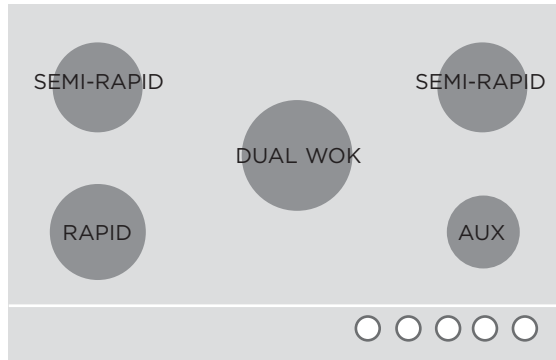


Foam tape (1)

3 GAS RATE SUMMARY



CG244D



CG305D & CG365D

High Altitude Installations - CG30D & CG365D models

For installations above 3000' conversion kits are required:
3,000-6,000'

534695 KIT HI ALT NG

534697 KIT HI ALT LP

6000'+

534696 KIT HI ALT NG

534698 KIT HI ALT LP

High Altitude Installations - CG244D models

For installations above 3000' conversion kits are required:
3,000-6,000'

535432 KIT HI ALT 3000-6000 NG GOS244

535434 KIT HI ALT 3000-6000 LG GOS244

6000'+

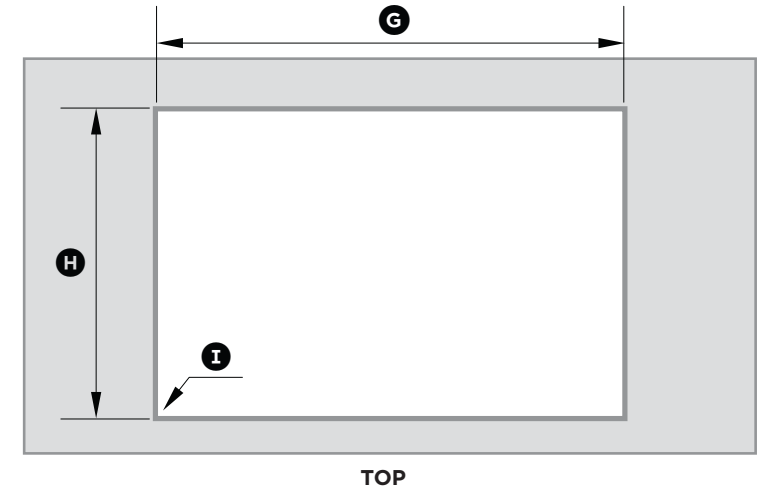
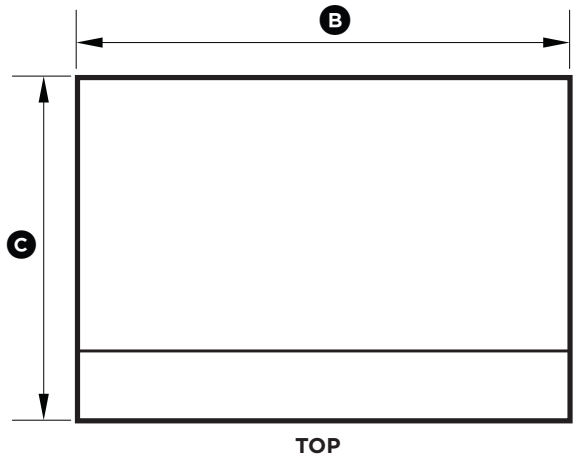
535433 KIT HI ALT 6000+ NG GOS244

535435 KIT HI ALT 6000+ LG GOS244

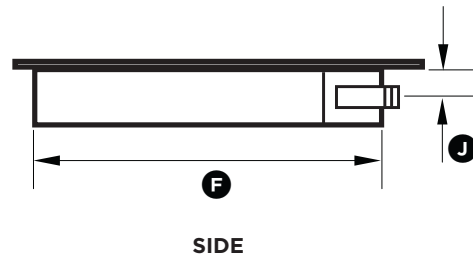
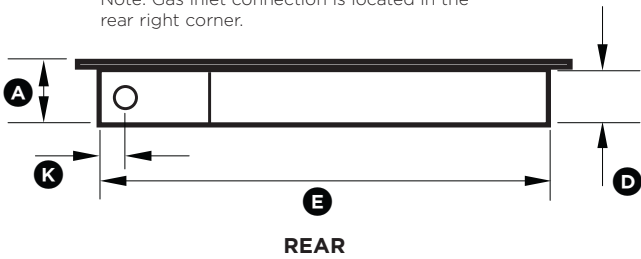
Contact your authorized dealer, customer care or refer to the website listed at the back of this document.

US CA	INJECTOR ORIFICE (MM)		NOMINAL RATING (BTU/HR)		INJECTOR ORIFICE (MM)		NOMINAL RATING (BTU/HR)		INJECTOR ORIFICE (MM)		NOMINAL RATING (BTU/HR)		INJECTOR ORIFICE (MM)		NOMINAL RATING (BTU/HR)					
	AUX				SEMI-RAPID				RAPID				MINI WOK				DUAL WOK			
	NG		LP		NG		LP		NG		LP		NG		LP		NG		LP	
	NG 4" H ₂ O (0.15 psi) LP 11" H ₂ O (0.39 psi)																			
CG244D	0.9	3500	0.55	3500	1.40	8500	0.75	6700	na	na	na	na	1.55	11100	0.94	11100	na	na	na	na
CG305D	0.9	3500	0.55	3500	1.40	8500	0.75	6700	1.65	11500	0.98	11500	na	na	na	na	1.50	19000	0.83	19000
CG365D	0.9	3500	0.55	3500	1.40	8500	0.75	6700	1.65	11500	0.98	11500	na	na	na	na	1.50	19000	0.83	19000

4 PRODUCT & CABINETRY DIMENSIONS

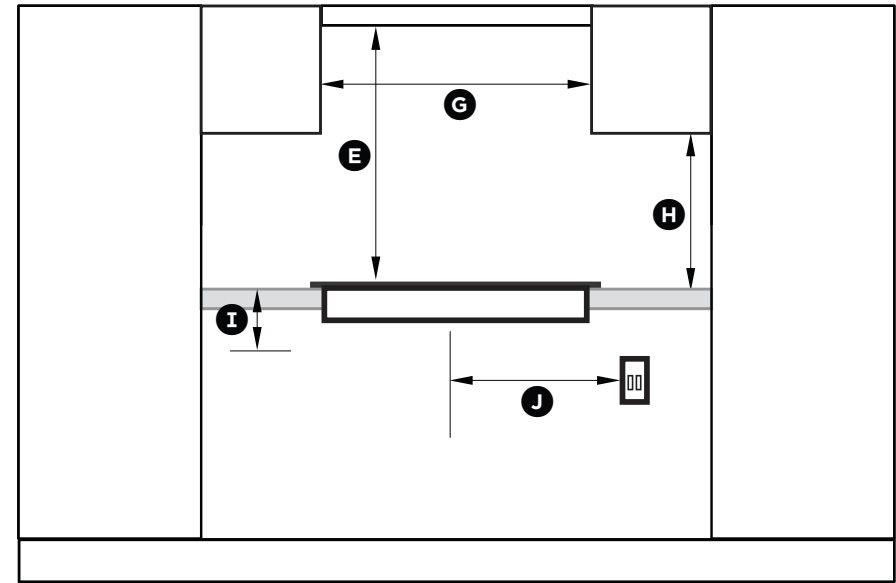
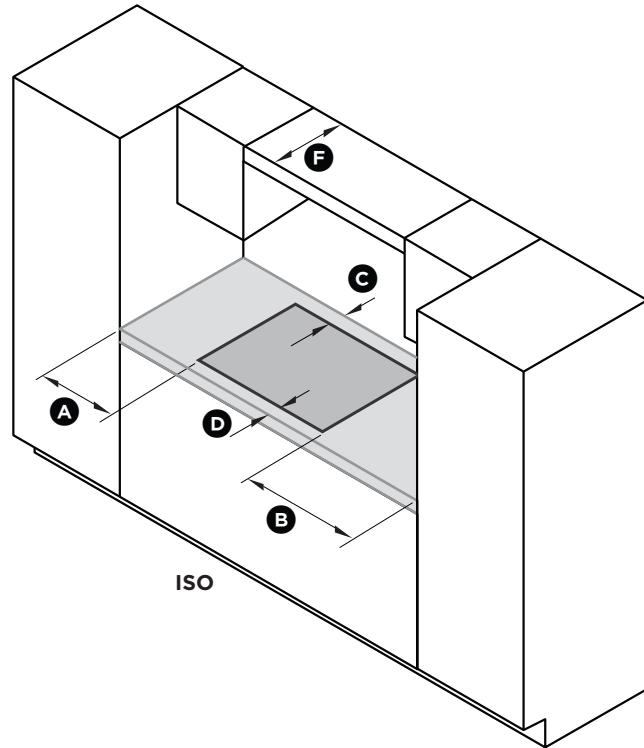


Note: Gas inlet connection is located in the rear right corner.



PRODUCT DIMENSIONS	CG244D	CG305D	CG365D
	inches (mm)	inches (mm)	inches (mm)
(A) Overall height of product (excluding burners, dials and pan supports)	2 1/2" (64)	2 1/2" (64)	2 1/2" (64)
(B) Overall width of product	23 5/8" (600)	29 1/2" (749)	35 1/2" (900)
(C) Overall depth of product	20 7/8" (530)	20 7/8" (530)	20 7/8" (530)
(D) Height of chassis (below top of counter)	2 5/16" (59)	2 5/16" (59)	2 5/16" (59)
(E) Width of chassis	21 7/8" (555)	27 1/2" (698)	33 11/16" (856)
(F) Depth of chassis	19 1/8" (486)	19 5/16" (490)	19 1/8" (486)
(G) Overall width of cutout	22 1/16" (560)	27 3/4" (705)	34 1/16" (865)
(H) Overall depth of cutout	19 5/16" (490)	19 1/2" (495)	19 5/16" (490)
(I) Corner radius of cutout	max. 3/8" (10)	max. 3/8" (10)	max. 3/8" (10)
(J) Distance from top of counter to center of gas inlet on product	1 1/4" (32)	1 1/4" (32)	1 1/4" (32)
(K) Distance from edge of chassis to gas inlet on product	13/16" (21)	13/16" (21)	13/16" (21)

5 CLEARANCE DIMENSIONS



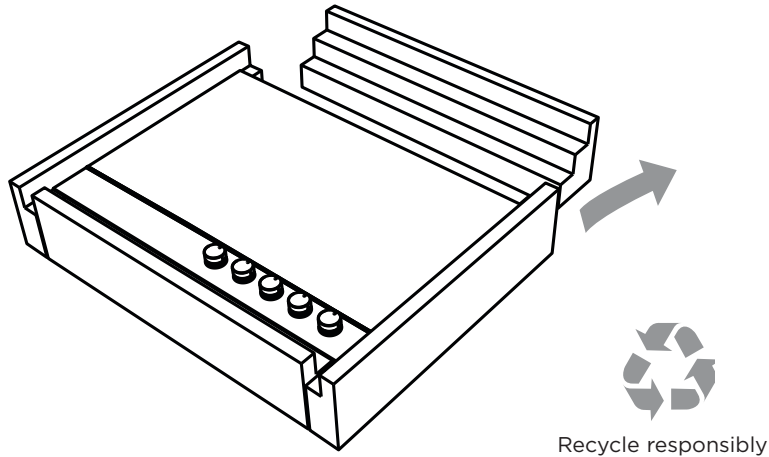
FRONT

CLEARANCE DIMENSIONS	CG244D	CG305D	CG365D
	inches (mm)	inches (mm)	inches (mm)
(A) Minimum clearance from left edge of product to nearest vertical surface	12" (294)	12" (294)	12" (294)
(B) Minimum clearance from right edge of product to nearest vertical surface	12" (294)	12" (294)	12" (294)
(C) Minimum clearance from rear edge of product to: nearest combustibile surface nearest non-combustibile surface*	3" (74) 1 1/2" (38)	7" (178) 1 1/2" (38)	7" (178) 1 1/2" (38)
(D) Minimum clearance from front edge of counter to front edge of product	1 1/4" (32)	1 1/4" (32)	1 1/4" (32)
(E) Minimum clearance from cooking surface to combustibile surface centered above the cooking surface	30" (762)	30" (762)	30" (762)
(F) Maximum overall depth of overhead cabinetry	13" (330)	13" (330)	13" (330)
(G) Minimum distance between overhead cabinets installed to either side of product	24" (588)	30" (762)	36" (915)
(H) Minimum vertical distance between counter and cabinet extending above the counter	18" (457)	18" (457)	18" (457)
(I) Minimum clearance below top of countertop to: nearest combustibile surface F&P oven or nearest non-combustibile surface	2 3/4" (70) 2 9/16" (65)	2 3/4" (70) 2 9/16" (65)	2 3/4" (70) 2 9/16" (65)
(J) Maximum distance from the center of the product to the nearest grounded power outlet. The power supply cable must not touch any hot metal surfaces.	35 1/2" (900)	35 1/2" (900)	35 1/2" (900)

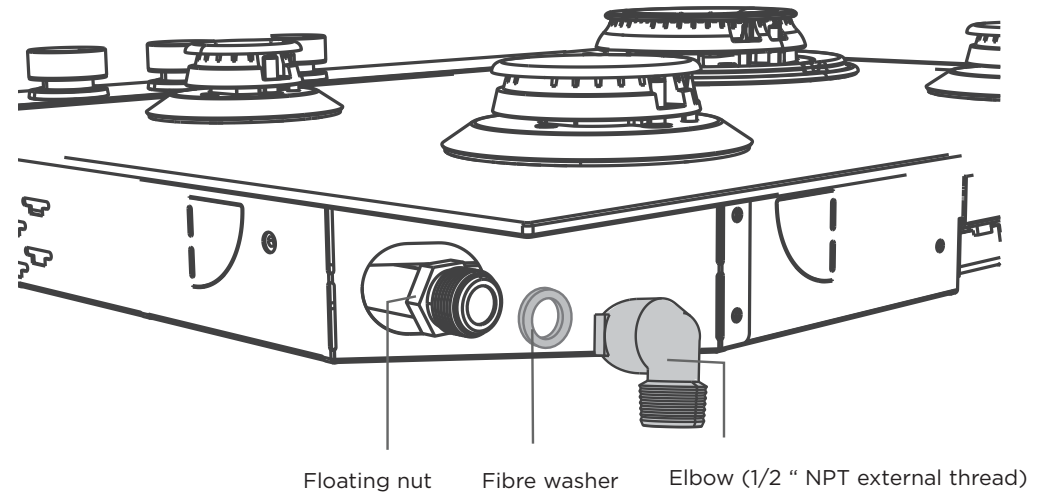
* Recommended non-combustibile materials are: 1/4" (6 mm) flame retardant millboard covered with not less than No. 28 MSG sheet steel, 0.015" (0.4 mm) stainless steel, 0.024" (0.6 mm) aluminum or 0.020" (0.5 mm) copper.

6 DISCARD PACKAGING

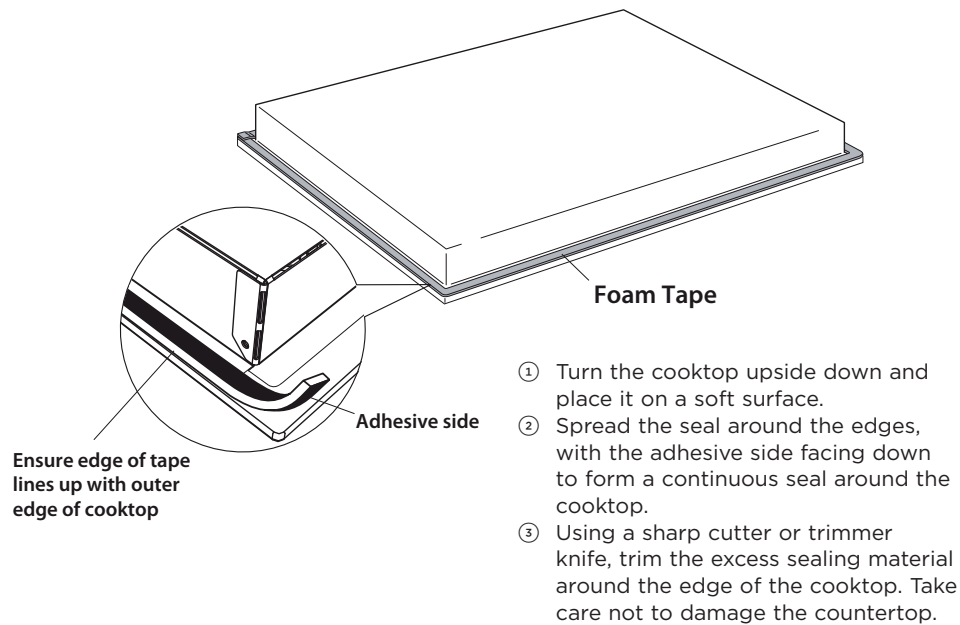
Model may vary from illustrations shown



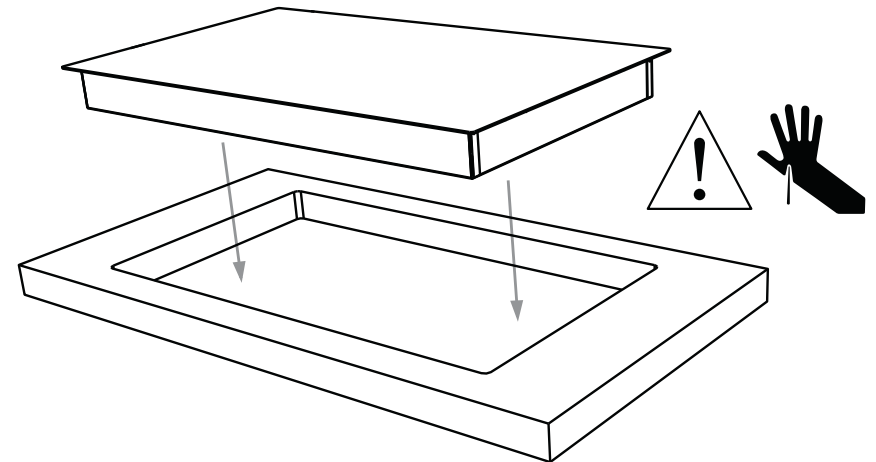
7 FIT THE ELBOW AND WASHER



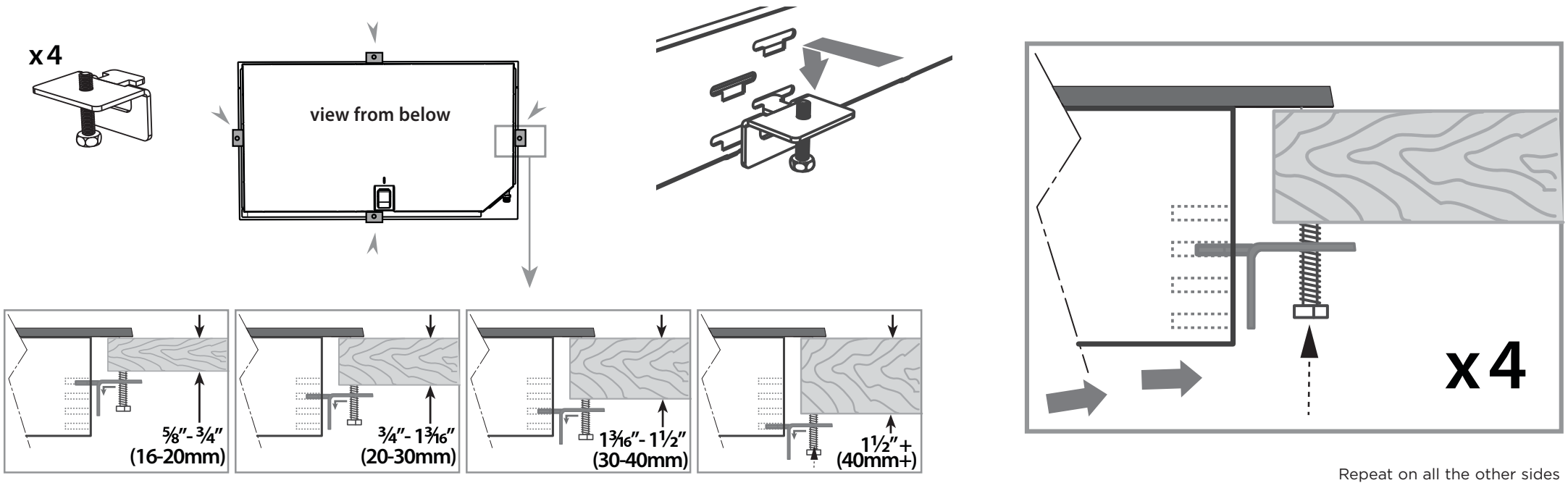
8 APPLY ADHESIVE FOAM TAPE AROUND EDGE



9 LOWER GENTLY INTO THE CUTOUT



10 FIT CLAMPING BRACKETS BASED ON THE COUNTERTOP THICKNESS & SECURE TO COUNTERTOP



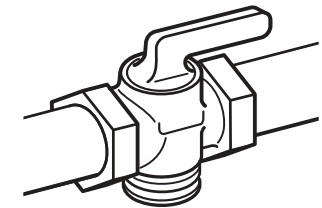
Repeat on all the other sides

11 GAS CONNECTION

- Make sure the connection point will be accessible with the cooktop installed.
- To enable the gas supply to be readily shut off by the customer, make sure the connection is fitted with an isolating valve close to the cooktop.
- The appliance must be isolated from the gas supply piping system by closing its individual shut-off valve during any pressure testing of the gas supply piping system at test pressures at or less than 1/2 p.s.i. (3.5 kPa).
- Maximum inlet gas supply pressure 20" W.C. (5 kPa). Minimum gas supply pressure for regulator testing 5" W.C. Natural Gas / 12" W.C. LP gas.
- A manual shut-off valve must be installed in an accessible location in the gas line external to the appliance for the purpose of turning on or shutting off gas to the appliance. (In Massachusetts, such shut-off devices should be approved by the Board of State Examiners of Plumbers & Gas Fitters).
- Gas connection to the product must use the nipple supplied with a 1/2" NPT external thread. The supplied gas pressure regulator must be installed where it will be accessible for adjustment. The metal flexible hose used must be new, CSA or UL-approved, and must have a 1/2" NPT external thread on one end and a 1/2" NPT one on the other

If connecting the gas with a flexible hose

- Ensure the hose is long enough to allow for removal of cooktop for servicing.
- Make sure the connector is located as shown in step 5 CLEARANCE DIMENSIONS.
- The hose assembly must be with an Rp 1/2" (ISO 7-1) female thread connection.
- The hose assembly must be as short as practicable and comply with the relevant requirements.
- The hose must not be kinked, subjected to abrasion or permanently deformed.
- The hose must not be near or in contact with any hot surfaces (e.g. base of metal hotplate, flue, or chassis of undercounter oven etc.)

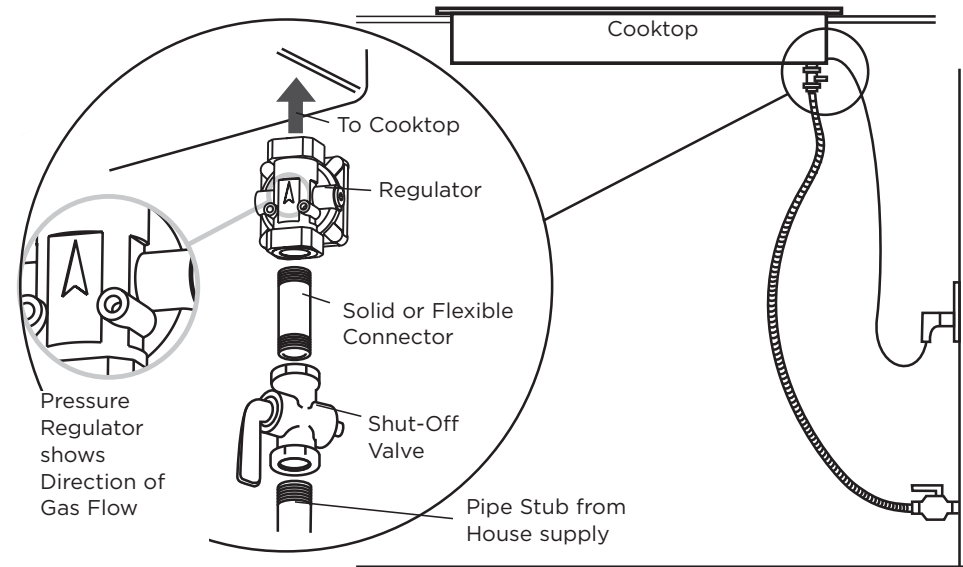


12 CONNECT TO THE GAS SUPPLY

This appliance is factory set for use with Natural Gas at 4" W.C.P. or LP Gas at 11" W.C.P. Check the label on the underside of the appliance.

Gas regulator

- For use with a gas pressure regulator as shown.

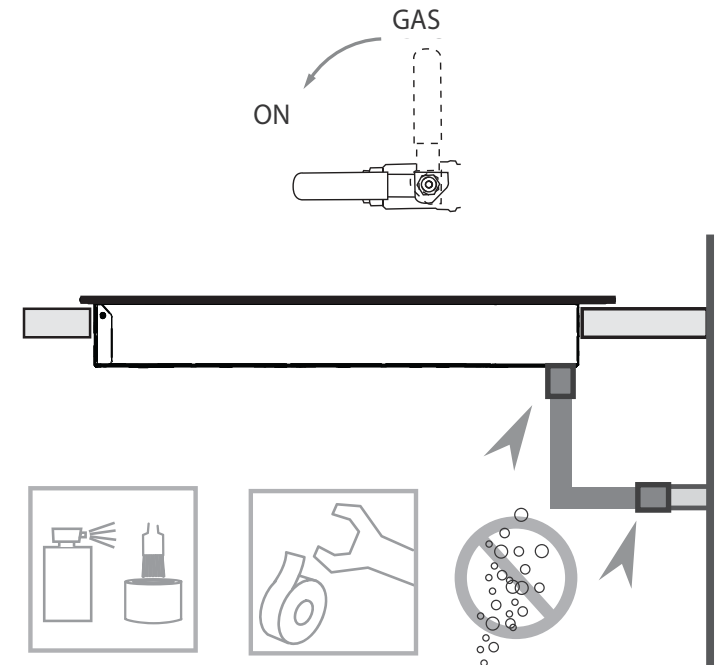


13 LEAK TESTING

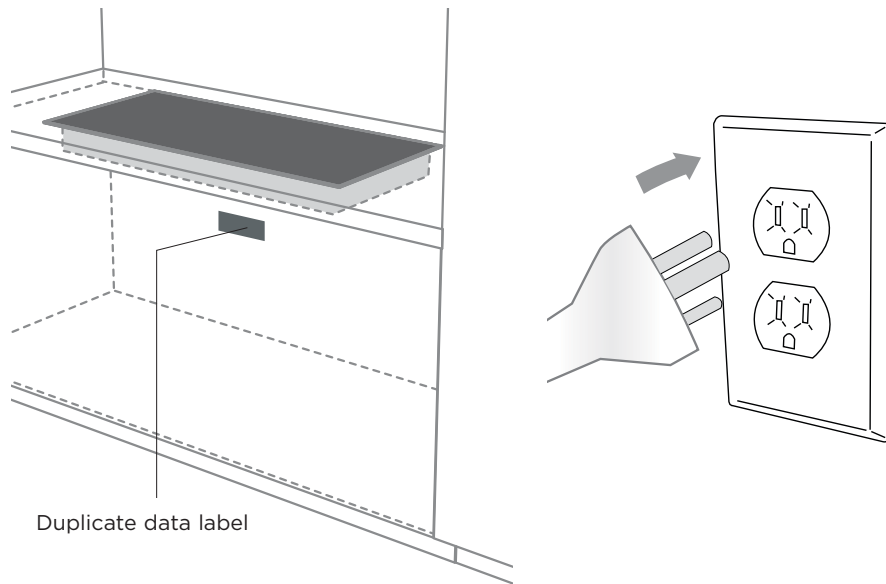
- Leak testing of the appliance shall be conducted according to the manufacturer's instructions.
- The appliance and its individual shut-off valve must be disconnected from the gas supply piping system during any pressure testing of that system in excess of 1/2 psi (3.5kPa).
- The appliance must be isolated from the gas supply piping system by closing its individual manual shut-off valve during any pressure testing of the gas supply piping system at test pressures at or less than 1/2 psi (3.5 kPa).
- Maximum inlet gas supply pressure 20" W.C. (5 kPa)
- Minimum gas supply pressure for regulator testing 5" W.C. Natural Gas, 12" W.C. LP Gas.

After installing the gas supply and making all connections, check thoroughly for possible leaks:

- 1 Turn all control dials on unit to "OFF" position.
- 2 Open the valve on the gas supply.
- 3 Using a leak detection fluid (eg Rocol leak detection spray), check each gas connection one at a time by spraying or brushing the solution over the connection. The presence of bubbles will indicate a leak.
- 4 If necessary, tighten the fitting and recheck for leaks.
- 5 Turn on burner valve and light each burner.
- 6 Check for a clear blue flame without yellow tipping. If burners show any abnormalities, check that they are located properly and in line with the injector orifice.

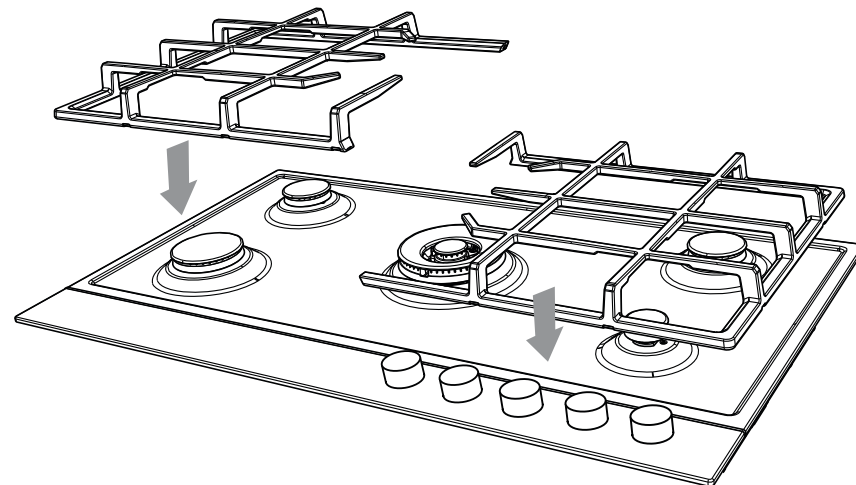


14 AFFIX DUPLICATE DATA LABEL SOMEWHERE ACCESSIBLE & PLUG COOKTOP IN



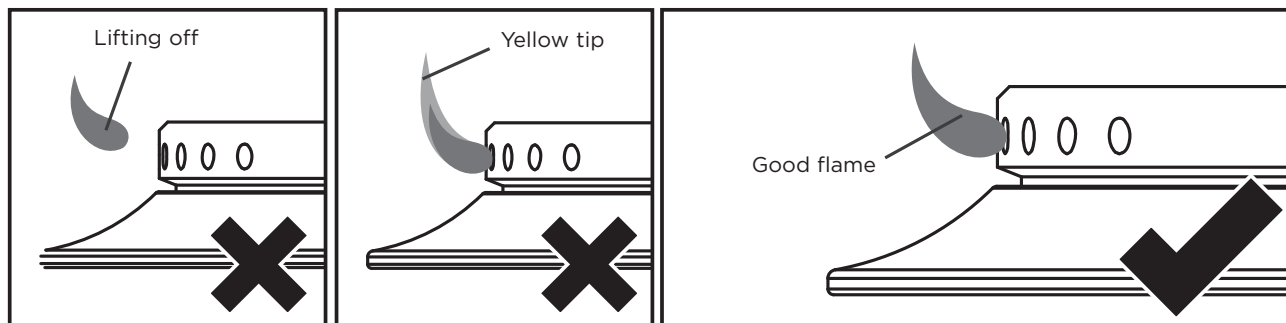
15 FIT PAN SUPPORTS

Ensure the pan supports are located securely and in the correct orientation (refer to User guide)



16 LEAK TESTING

- To check that the ignition system operates correctly, light each burner by itself, then all burners in combination.
- Check for a well-defined blue flame without any yellow tipping.
- If any abnormality is evident, check that the components of the burner assembly are located properly
- If proper operation cannot be obtained, contact Customer Care or your nearest F&P Authorized Service Center.
- The cooktop must not be used by the customer until proper operation has been achieved.



✓ **TO BE COMPLETED BY THE INSTALLER**

- Have you installed the clamping brackets?
- Have you verified that the type of model (factory-set for NG or LP) matches the type of gas at the site of installation?
- Have you sealed all connections with gas tape?
- Have you used the fibre washer supplied?
- Have you leak-tested all connections?
- Is the cooktop set to the correct working pressure?
- Have you affixed the supplied duplicate data plate label on an adjacent surface accessible to the customer?
- Is the cooktop grounded?
- Check that the power supply cord is NOT touching the cooktop.

OPERATION:

- Do all burners ignite both individually and in combination?
- Are the flames consistent and appropriately sized?
- Have you demonstrated the basic operation to the customer?

Complete and keep for safe reference:

Model _____

Serial No. _____

Purchase Date _____

Purchaser _____

Dealer Address _____

Installer's Name _____

Installer's Signature _____

Installation Company _____

Installation Date _____

Copyright © Fisher & Paykel Appliances 2016. All rights reserved.
The product specifications in this booklet apply to the specific products and models described at the date of issue. Under our policy of continuous product improvement, these specifications may change at any time. You should therefore check with your Dealer to ensure this booklet correctly describes the product currently available.

INSTRUCTIONS D'INSTALLATION

Surface de cuisson au gaz

Modèles
CG244D, CG305D et CG365D

US CA

Fisher & Paykel

www.fisherpaykel.com

590486F 06.16

⚠ MISE EN GARDE!

Risque de choc électrique
 Débranchez l'appareil de l'alimentation électrique avant toute réparation. Cet appareil est équipé d'une fiche à trois broches avec mise à la terre pour protéger des chocs électriques. Branchez-la directement dans une prise électrique avec mise à la terre adéquate. Vous ne devez en aucune circonstance couper ou retirer la broche de mise à la terre de cette fiche. Le non-respect de cette consigne peut entraîner un choc électrique ou la mort.

⚠ MISE EN GARDE!

Risque de coupure
 Attention, les bords du panneau sont tranchants. Des blessures ou des coupures peuvent se produire si vous ne faites pas preuve de prudence.

CONSIGNES DE SÉCURITÉ IMPORTANTES!

- Cet appareil devra être installé conformément aux exigences des réglementations locales relatives au gaz ou des codes d'installation appropriés, ou en l'absence de codes locaux, de la norme NFPA 54/ANSI Z223.1 ou CAN/CSA B149.1,2 de la dernière édition du National Fuel Gas Code du Canada. Les codes locaux du bâtiment et de l'électricité doivent être respectés.
- Toute installation électrique doit être conforme à la norme ANSI/NFPA70 de la dernière édition du Code national de l'électricité ou à la norme CSA C22.1 (Canada) et/ou aux codes locaux.
- Installation dans une maison préfabriquée (mobile) : l'installation doit être effectuée conformément à la norme Manufactured Home Construction and Safety Standard, Titre 24 CFR, Partie 3280 [anciennement Federal Standard for Mobile Home Construction and Safety, Titre 24, HUD (Partie 280)] ou, lorsqu'une telle norme est inapplicable, à la norme Standard for Manufactured Home Installations, ANSI/NFPA 225, ou aux codes locaux en vigueur.
- Installation dans une caravane de parc : l'installation doit être effectuée conformément aux codes de l'État et autres codes, ou en l'absence de tels codes, à la norme Standard for Recreational Park Trailers, ANSI A119.5.
- Ne retirez pas les étiquettes, mises en garde ou plaques signalétiques apposées sur l'appareil. Cela pourrait entraîner l'annulation de la garantie.
- Les raccords flexibles de l'appareil doivent être conformes à la norme ANSI Z21.24 et aux règlements de commissions d'État. Leur longueur ne doit pas dépasser 35 1/2 po (900 mm). Installez ces appareils conformément aux instructions afin d'éviter tout danger.

- Cet appareil doit être installé par un technicien autorisé (mise en garde : dans les limites de l'État du Massachusetts, cet appareil doit être installé par un monteur d'installation au gaz ou plombier autorisé).
- Remettez ces instructions à la personne qui installera l'appareil. Cela pourrait réduire vos coûts d'installation.
- Laissez ces instructions avec l'appareil. Demandez au client de les conserver pour toute référence ultérieure ou vérification des inspecteurs locaux.
- Le fait de ne pas installer l'appareil de façon adéquate pourrait entraîner l'annulation de toute garantie ou réclamation.
- La vérification des fuites doit être effectuée conformément aux instructions du fabricant.
- Utilisez uniquement des pièces de remplacement authentiques pour effectuer l'entretien ou les réparations de l'appareil. Vous pouvez vous les procurer auprès d'un Centre de service Fisher & Paykel de votre région.

Avant d'installer l'appareil, assurez-vous que :

- les conditions de distribution locales (nature du gaz et pression) et le réglage de l'appareil sont compatibles. Pour connaître les conditions de réglage de cet appareil, voir 'Tableau de débit des gaz' à l'étape 3.
- le câblage fixe comporte un interrupteur de sectionnement approprié, installé dans une position convenable.
- l'appareil est branché à une prise électrique mise à la terre en conformité avec les codes locaux ou, en l'absence de tels codes, avec la norme ANSI/NFPA 70 ou CSA C22.2 du Code national de l'électricité (Canada).
- une prise électrique (110-120 V 60 Hz) se trouve à proximité du câble de l'appareil (35 1/2 po (900 mm) à partir de la partie centrale à l'arrière de l'appareil). Cette prise doit demeurer accessible après l'installation. Le câble d'alimentation ne doit toucher aucune pièce métallique.
- le comptoir est au niveau et bien droit, et aucune pièce de charpente ne nuit aux exigences de dégagement.
- le comptoir est fait d'un matériau résistant à la chaleur.
- vous prenez note de ces matériaux incombustibles recommandés : panneau de celloderme ignifuge de 1/4 po (6 mm) couvert d'une tôle d'acier n° 28 MSG (minimum), d'acier inoxydable de 1/32 po (0,4 mm),
- d'aluminium de 1/32 po (0,6 mm) ou de cuivre de 1/32 po (0,5 mm).
- le robinet d'arrêt du gaz est accessible après l'installation.
- si le câble d'alimentation est endommagé, il doit être remplacé uniquement par un câble spécial : Pièce n° 531954 FLEX TERMINAL BLOCK ASSY US, disponible auprès des agents de service autorisés de Fisher & Paykel.

**IMPORTANT!
CONSERVEZ CES INSTRUCTIONS**

Les modèles illustrés dans ce document pourraient ne pas être offerts par tous les détaillants et sont sujets à modifications sans préavis. Pour les plus récentes informations sur la disponibilité des modèles et des caractéristiques dans votre pays, veuillez visiter notre site Web local à l'adresse indiquée à la fin de ce document, ou contacter votre détaillant Fisher & Paykel local.

② PIÈCES FOURNIES



Support de wok (1)



Petite pièce d'appui (1)
(Modèles CG305 et CG365 seulement.)



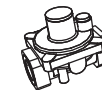
Rondelle en fibre (1)



Coude avec filetage
NPT externe de
1/2 po (12,5 mm) (1)



Supports de retenue (4)
et vis (4)

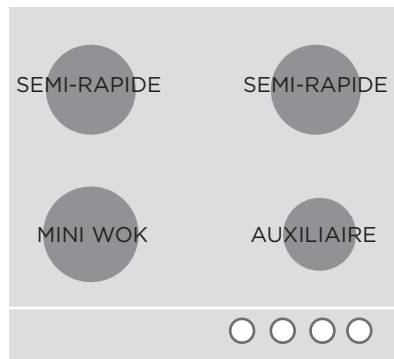


Régulateur (1)

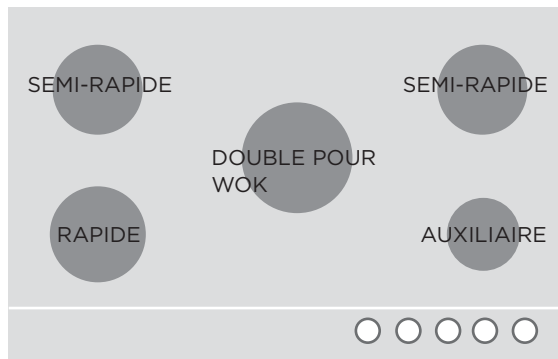


Isolant adhésif (1)

③ TABLEAU DE DÉBIT DES GAZ



CG244D



CG305D et CG365D

Installations en haute altitude - Modèles CG30D & CG365D

Pour les installations au-dessus de 3 000 pi, des ensembles de conversion sont requis :
3 000-6 000 pi 534695 - ENSEMBLE HAUTE ALTITUDE POUR GN
534697 - ENSEMBLE HAUTE ALTITUDE POUR GPL

6 000 pi+ 534696 - ENSEMBLE HAUTE ALTITUDE POUR GN
534698 - ENSEMBLE HAUTE ALTITUDE POUR GPL

Installations en haute altitude - Modèles CG244D

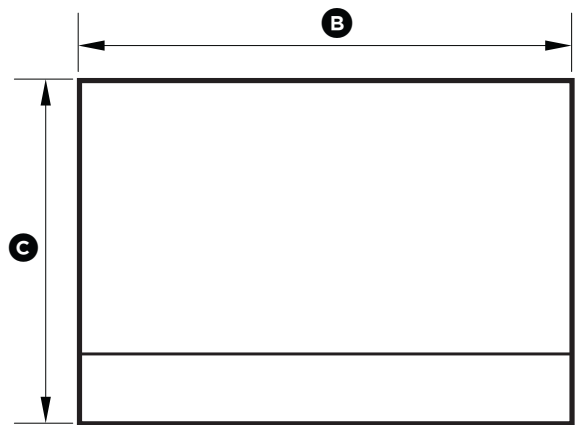
Pour les installations au-dessus de 3 000 pi, des ensembles de conversion sont requis :
3 000-6 000 pi 535432 KIT HI ALT 3000-6000 NG GOS244
535434 KIT HI ALT 3000-6000 LG GOS244

6 000 pi+ 535433 KIT HI ALT 6000+ NG GOS244
535435 KIT HI ALT 6000+ LG GOS244

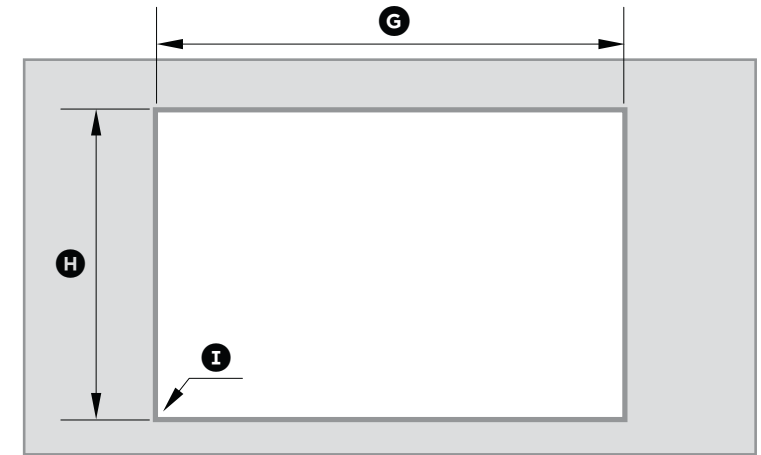
Communiquez avec votre détaillant autorisé ou l'assistance à la clientèle, ou consultez notre site Web, à l'adresse indiquée à l'arrière de ce document.

US CA	ORIFICE D'INJECTION (MM)		VALEUR NOMINALE (BTU/HEURE)		ORIFICE D'INJECTION (MM)		VALEUR NOMINALE (BTU/HEURE)		ORIFICE D'INJECTION (MM)		VALEUR NOMINALE (BTU/HEURE)		ORIFICE D'INJECTION (MM)		VALEUR NOMINALE (BTU/HEURE)					
	AUXILIAIRE				SEMI-RAPIDE				RAPIDE				MINI WOK				DOUBLE POUR WOK			
	GN		GPL		GN		GPL		GN		GPL		GN		GPL		GN		GPL	
GN 4 po (102 mm) H2O (0,15 psi) GPL 11 po (279 mm) H2O (0,39 psi)																				
CG244D	0.9	3500	0.55	3500	1.40	8500	0.75	6700	na	na	na	na	1.55	11100	0.94	11100	na	na	na	na
CG305D	0.9	3500	0.55	3500	1.40	8500	0.75	6700	1.65	11500	0.98	11500	na	na	na	na	1.50	na	0.83	na
CG365D	0.9	3500	0.55	3500	1.40	8500	0.75	6700	1.65	11500	0.98	11500	na	na	na	na	1.50	19000	0.83	19000
																	0.70	0.50	0.50	0.50

④ PRODUCT & CABINETS DIMENSIONS

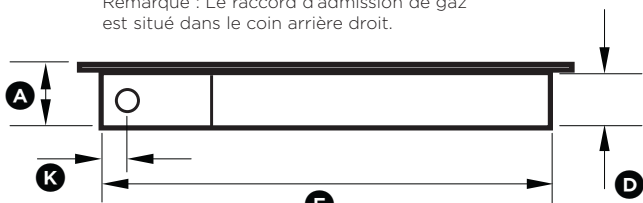


DESSUS

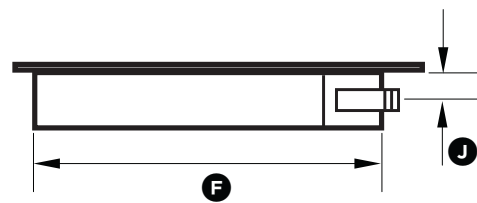


DESSUS

Remarque : Le raccord d'admission de gaz est situé dans le coin arrière droit.



ARRIÈRE



CÔTÉ

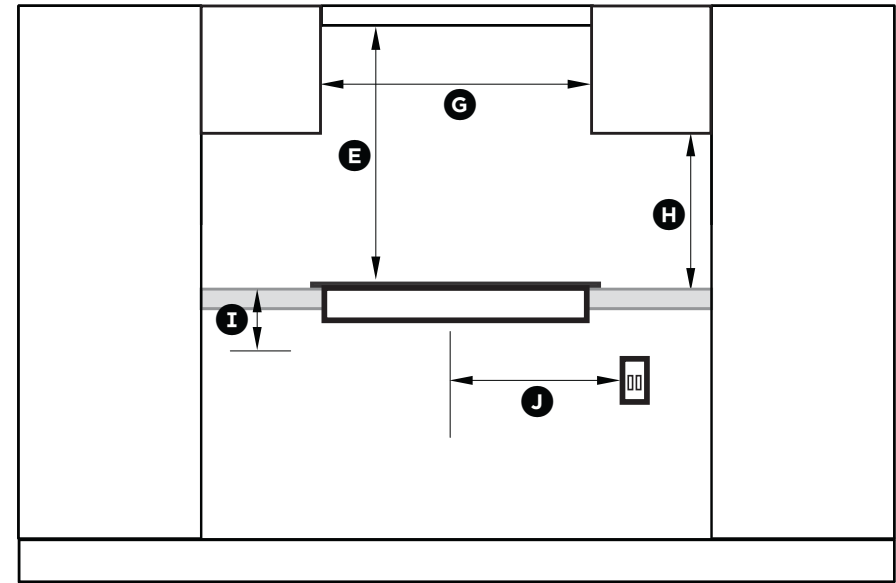
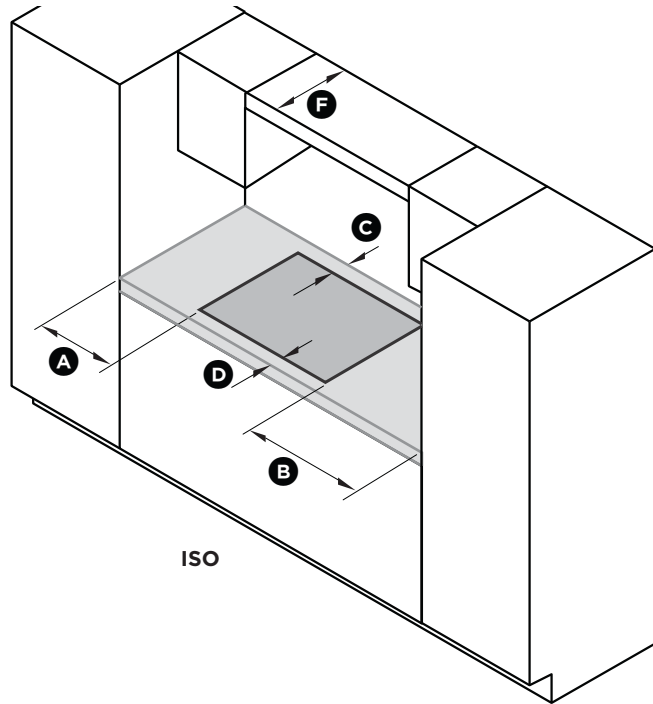


DEVANT

Dimensions du produit et des armoires

	pouces (mm)		
	CG244D	CG305D	CG365D
(A) Hauteur hors tout du produit (excluant les brûleurs, les boutons et les pièces d'appui)	2 1/2 po (64)	2 1/2 po (64)	2 1/2 po (64)
(B) Largeur hors tout du produit	23 5/8 po (600)	29 1/2 po (749)	35 1/2 po (900)
(C) Profondeur hors tout du produit	20 7/8 po (530)	20 7/8 po (530)	20 7/8 po (530)
(D) Hauteur du châssis (sous la surface du comptoir)	2 5/16 po (59)	2 5/16 po (59)	2 5/16 po (59)
(E) Largeur du châssis	21 7/8 po (555)	27 1/2 po (698)	33 11/16 po (856)
(F) Profondeur du châssis	19 1/8 po (486)	19 5/16 po (490)	19 1/8 po (486)
(G) Largeur hors tout de l'ouverture	22 1/16 po (560)	27 3/4 po (705)	34 1/16 po (865)
(H) Profondeur hors tout de l'ouverture	19 5/16 po (490)	19 1/2 po (495)	19 5/16 po (490)
(I) Rayon du coin de l'ouverture	max. 3/8 po (10)	max. 3/8 po (10)	max. 3/8 po (10)
(J) Distance entre la surface du comptoir et le centre de l'admission de gaz du produit	1 1/4 po (32)	1 1/4 po (32)	1 1/4 po (32)
(K) Distance entre le rebord du châssis et l'admission de gaz du produit	13/16 po (21)	13/16 po (21)	13/16 po (21)

5 DIMENSIONS DE DÉGAGEMENT



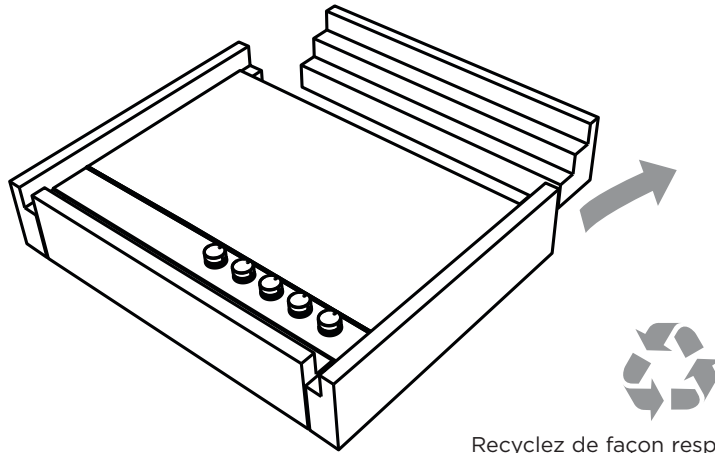
DEVANT

Dimensions de dégagement	CG244D	CG305D	CG365D
	pouces (mm)	pouces (mm)	pouces (mm)
(A) Dégagement minimal entre le côté gauche du produit et la surface verticale la plus proche	12" (294)	12" (294)	12" (294)
(B) Dégagement minimal entre le côté droit du produit et la surface verticale la plus proche	12" (294)	12" (294)	12" (294)
(C) Dégagement minimal entre l'arrière du produit et : La surface combustible la plus proche La surface incombustible la plus proche*	3" (74) 1 1/2" (38)	7" (178) 1 1/2" (38)	7" (178) 1 1/2" (38)
(D) Dégagement minimal entre le devant du comptoir et le devant du produit	1 1/4" (32)	1 1/4" (32)	1 1/4" (32)
(E) Dégagement minimal entre la surface de cuisson et une surface combustible centrée au-dessus de la surface de cuisson	30" (762)	30" (762)	30" (762)
(F) Profondeur hors tout maximale des armoires suspendues	13" (330)	13" (330)	13" (330)
(G) Distance minimale entre les armoires suspendues installées des deux côtés du produit	24" (588)	30" (762)	36" (915)
(H) Distance verticale minimale entre le comptoir et une armoire au-dessus du comptoir	18" (457)	18" (457)	18" (457)
(I) Dégagement minimal entre le dessous du comptoir et : La surface combustible la plus proche Une cuisinière f&p ou la surface incombustible la plus proche	2 3/4" (70) 2 9/16" (65)	2 3/4" (70) 2 9/16" (65)	2 3/4" (70) 2 9/16" (65)
(J) Distance maximale entre la partie centrale du produit et la prise électrique avec mise à la terre la plus proche. Le câble d'alimentation ne doit toucher aucune surface métallique chaude.	35 1/2" (900)	35 1/2" (900)	35 1/2" (900)

* Recommended non-combustible materials are: 1/4" (6 mm) flame retardant millboard covered with not less than No. 28 MSG sheet steel, 0.015" (0.4 mm) stainless steel, 0.024" (0.6 mm) aluminum or 0.020" (0.5 mm) copper.

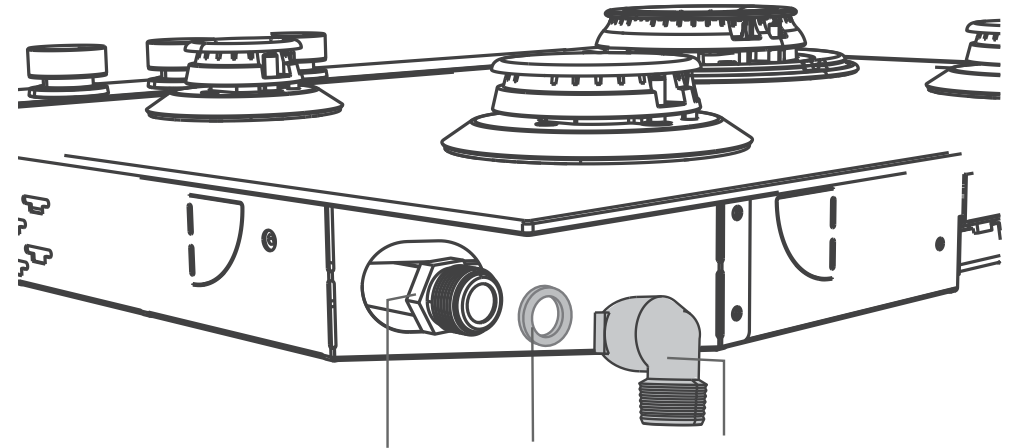
⑥ METTEZ L'EMBALLAGE AU REBUT

Le modèle peut être différent des illustrations présentées



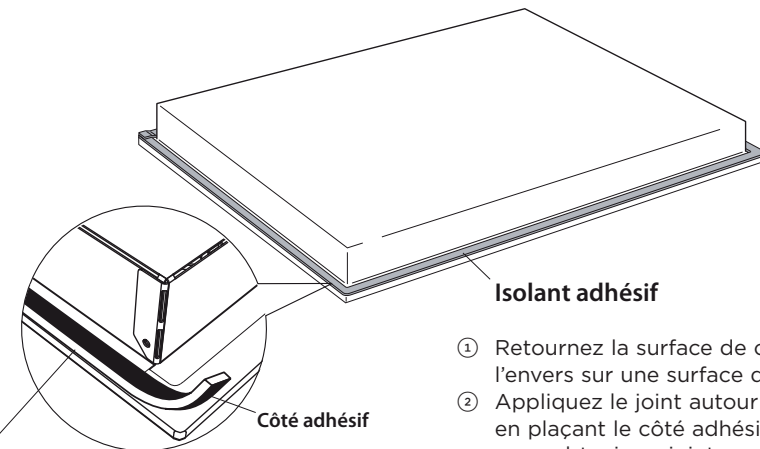
Recyclez de façon responsable

⑦ INSTALLEZ LE COUDE ET LA RONDELLE



Écrou flottant Rondelle en fibre Coude (avec filetage NPT externe de 1/2 po (12,5 mm))

⑧ APPLIQUEZ L'ISOLANT ADHÉSIF AUTOUR DU REBORD



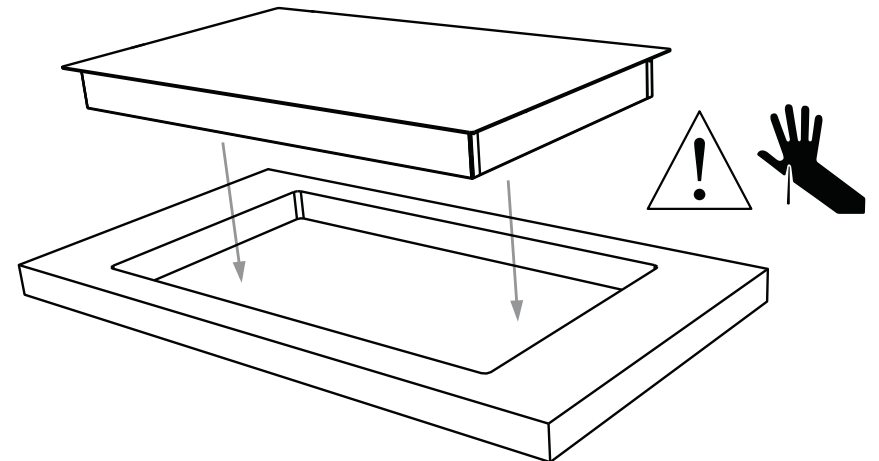
Assurez-vous que le rebord de l'isolant s'aligne avec le rebord extérieur de la surface de cuisson

Isolant adhésif

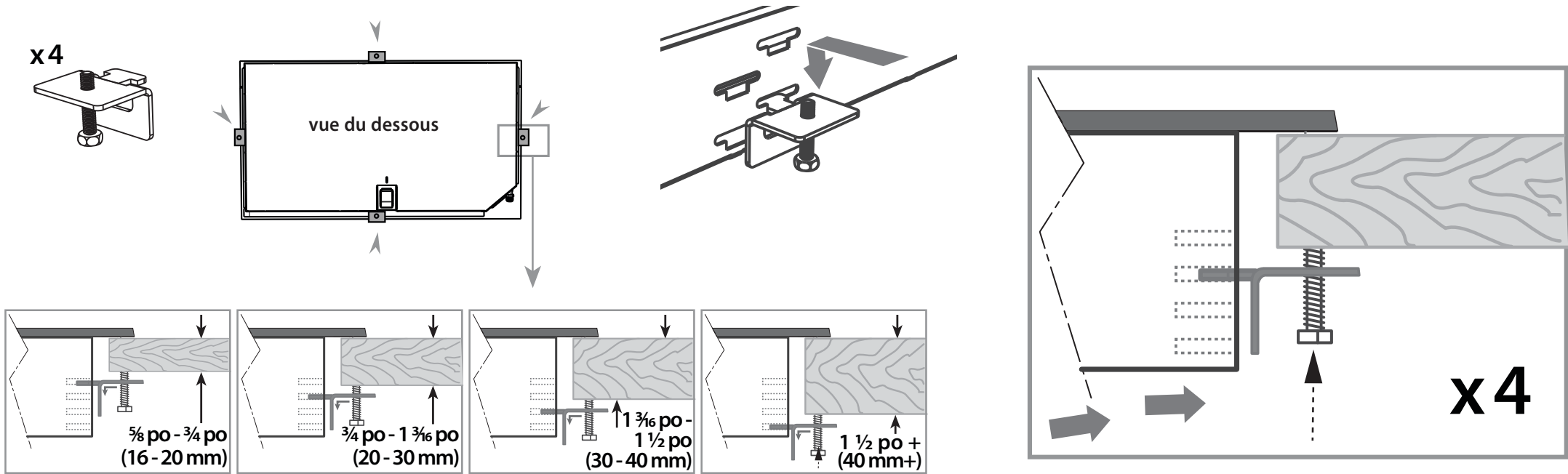
Côté adhésif

- ① Retournez la surface de cuisson à l'envers sur une surface douce.
- ② Appliquez le joint autour des rebords en plaçant le côté adhésif vers le bas, pour obtenir un joint continu autour de la surface de cuisson.
- ③ Utilisez un outil de coupe tranchant ou des ciseaux pour couper l'excédent de matériel de scellement autour du rebord de la surface de cuisson. Veillez à ne pas endommager le comptoir.

⑨ DÉPOSEZ L'APPAREIL DOUCEMENT DANS L'OUVERTURE



10 INSTALLEZ LES SUPPORTS DE RETENUE EN LES AJUSTANT À L'ÉPAISSEUR DU COMPTOIR ET FIXEZ L'APPAREIL AU COMPTOIR



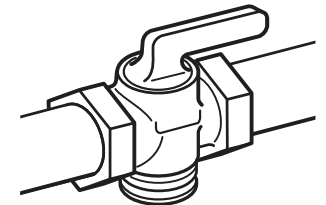
Répétez sur tous les autres côtés

11 RACCORDEMENT DU GAZ

- Assurez-vous que le point de raccordement demeure accessible après l'installation de la surface de cuisson.
- Pour que le client soit en mesure de couper facilement l'alimentation en gaz, assurez-vous que le raccordement soit muni d'un robinet d'isolement situé à proximité de la surface de cuisson.
- Fermez le robinet d'arrêt individuel de l'appareil pour l'isoler de la tuyauterie d'alimentation en gaz pendant toute vérification de pression de la tuyauterie d'alimentation alors que la pression d'essai est égale ou inférieure à 1/2 psi (3,5 kPa).
- Pression d'admission maximale de l'alimentation en gaz : 20 po (508 mm) de colonne d'eau (5 kPa). Pression minimale de l'alimentation en gaz pour la vérification du régulateur de gaz : 5 po (127 mm) de colonne d'eau pour le gaz naturel, 12 po (305 mm) de colonne d'eau pour le gaz de pétrole liquéfié.
- Vous devez installer un robinet d'arrêt manuel dans un endroit accessible de la canalisation externe de l'appareil pour pouvoir ouvrir ou couper l'alimentation en gaz à l'appareil (au Massachusetts, de tels dispositifs doivent être approuvés par le Board of State Examiners of Plumbers & Gas Fitters).
- Le raccordement en gaz à ce produit doit utiliser le coude fourni avec filetage NPT externe de 3/8 po (9,5 mm). Le régulateur de pression du gaz fourni doit être installé dans un endroit accessible permettant de le régler. Le tuyau en métal flexible utilisé doit être à l'état neuf, homologué CSA ou UL, et muni de filetage NPT externe de 3/8 po (9,5 mm) à l'une des extrémités, et de filetage NPT de 1/2 po (12,7 mm) à l'autre extrémité.

Pour le raccordement du gaz à l'aide d'un tuyau flexible

- Assurez-vous que le tuyau soit suffisamment long pour permettre le retrait de la surface de cuisson pour l'entretien.
- Assurez-vous que le connecteur soit positionné de la manière indiquée à l'étape 5 « DIMENSIONS DE DÉGAGEMENT ».
- L'assemblage du tuyau doit être effectué à l'aide d'un raccord à filetage femelle de type Rp 1/2 po (ISO 7-1).
- L'assemblage du tuyau doit être aussi court que possible et conforme aux exigences applicables.
- Le tuyau ne doit pas être entortillé, soumis à l'abrasion ou déformé de manière permanente.
- Le tuyau ne doit pas être installé à proximité ou placé en contact avec des surfaces chaudes (p. ex. la base de la plaque chauffante métallique, le conduit de fumée ou le châssis d'une cuisinière sous le comptoir).

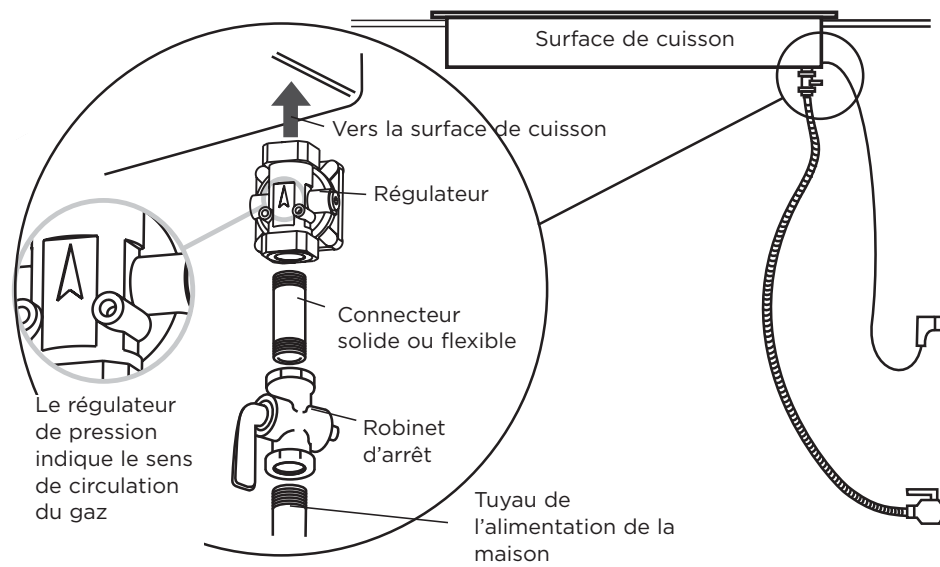


12 RACCORDEZ À L'ALIMENTATION EN GAZ

Cet appareil est réglé en usine pour utiliser une pression de gaz naturel de 4 po (102 mm) de colonne d'eau ou une pression de gaz de pétrole liquéfié de 11 po (279 mm) de colonne d'eau. Vérifiez l'étiquette apposée sous l'appareil.

Régulateur de gaz

- Pour l'utilisation avec un régulateur de pression de gaz, tel qu'illustré.

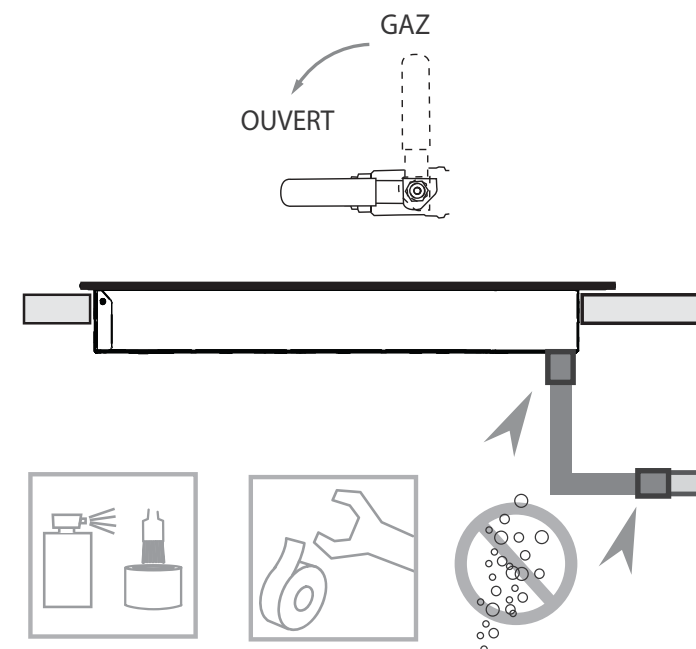


13 VÉRIFICATION DES FUITES

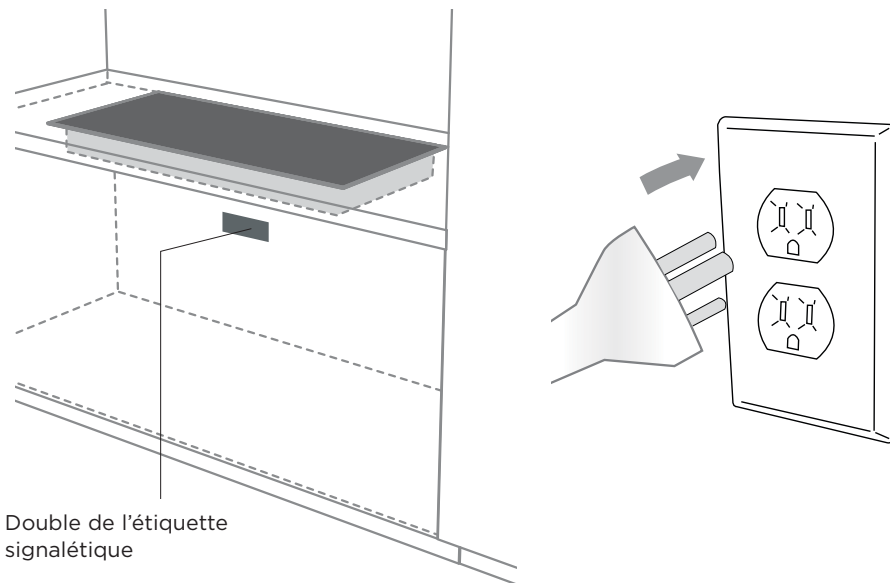
- La vérification des fuites doit être effectuée conformément aux instructions du fabricant.
- L'appareil et son robinet d'arrêt individuel doivent être débranchés de la tuyauterie d'alimentation en gaz lorsque la vérification de pression donne une valeur supérieure à 1/2 psi (3,5 kPa).
- Fermez manuellement le robinet d'arrêt individuel de l'appareil pour l'isoler de la tuyauterie d'alimentation en gaz pendant toute vérification de pression de la tuyauterie d'alimentation alors que la pression d'essai est égale ou inférieure à 1/2 psi (3,5 kPa).
- Pression d'admission maximale de l'alimentation en gaz : 20 po (508 mm) de colonne d'eau (5 kPa)
- Pression minimale de l'alimentation en gaz pour la vérification du régulateur de gaz : 5 po (127 mm) de colonne d'eau pour le gaz naturel, 12 po (305 mm) de colonne d'eau pour le gaz de pétrole liquéfié.

Une fois l'installation de l'alimentation en gaz et tous les raccordements effectués, vérifiez soigneusement l'installation pour déceler toute fuite :

- ① Tournez tous les boutons de réglage de l'appareil à la position « OFF ».
- ② Ouvrez le robinet de l'alimentation en gaz.
- ③ À l'aide d'un fluide de détection de fuite (p. ex. un vaporisateur de détection de fuite Rocol), vérifiez tous les raccords de gaz un à un en vaporisant ou appliquant la solution sur le raccord. La présence de bulles indique une fuite.
- ④ Si nécessaire, serrez le raccord et vérifiez de nouveau s'il y a des fuites.
- ⑤ Ouvrez la valve de brûleur et allumez chaque brûleur.
- ⑥ Vérifiez si l'appareil produit une flamme bleu clair sans pointe jaune. Si les brûleurs fonctionnent anormalement, vérifiez s'ils sont installés adéquatement, en ligne droite avec l'orifice d'injection.

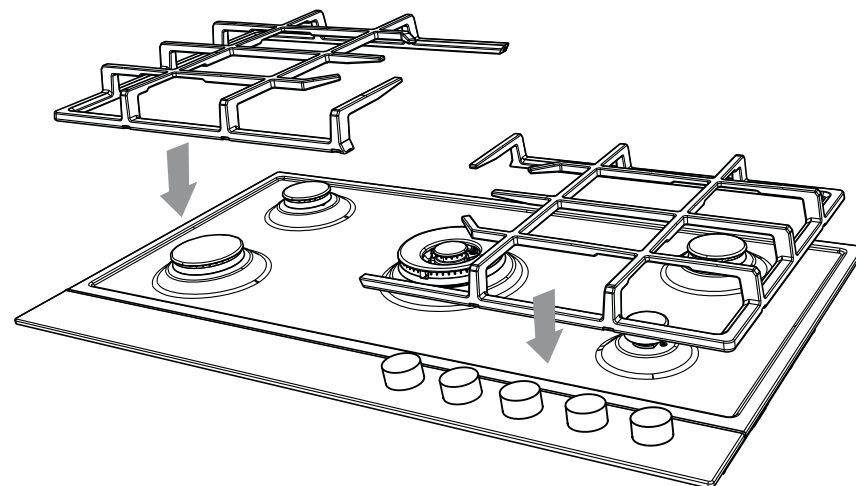


14 **APPOSEZ LE DOUBLE DE L'ÉTIQUETTE SIGNALÉTIQUE À UN ENDROIT ACCESSIBLE ET BRANCHEZ LA SURFACE DE CUISSON**



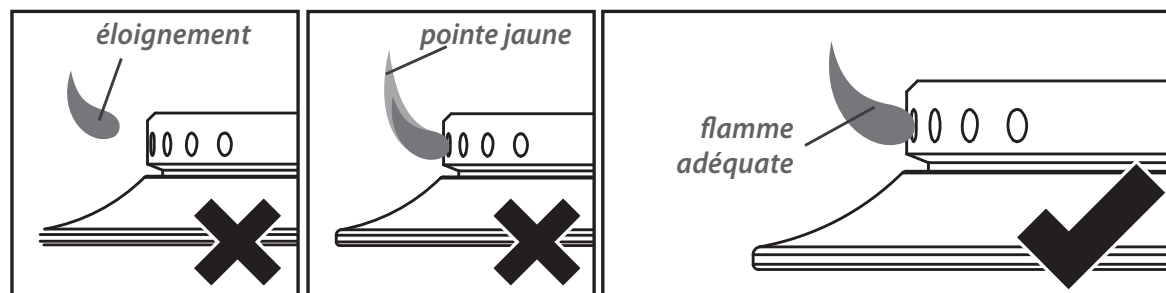
15 **INSTALLEZ LES PIÈCES D'APPUI**

Assurez-vous que les pièces d'appui soient positionnées correctement et dans le bon sens (reportez-vous au Guide de l'utilisateur).



16 **FAITES UN ESSAI**

- Pour vous assurer que le système d'allumage fonctionne correctement, allumez chaque brûleur individuellement, puis tous les brûleurs simultanément.
- Vérifiez si l'appareil produit une flamme bleu clair bien définie, sans pointe jaune.
- Si vous constatez un fonctionnement anormal, vérifiez si les composantes de l'assemblage de brûleur sont installées correctement.
- S'il est impossible d'obtenir un fonctionnement adéquat, communiquez avec le service à la clientèle ou un centre de service F&P autorisé de votre région.
- Le client ne doit pas utiliser la surface de cuisson avant qu'elle ne fonctionne correctement.



✓ **À ÊTRE REMPLIE PAR L'INSTALLATEUR**

- Avez-vous installé les supports de retenue?
- Avez-vous vérifié si le type de modèle (réglé en usine pour le gaz naturel (GN) ou le gaz de pétrole liquéfié (GPL)) correspond au type de gaz disponible sur le site d'installation?
- Avez-vous utilisé la rondelle en fibre fournie?
- Avez-vous vérifié tous les raccords pour déceler d'éventuelles fuites?
- La surface de cuisson est-elle réglée à la pression adéquate?
- Avez-vous apposé le double de l'étiquette signalétique fourni sur une surface adjacente accessible au client?
- La surface de cuisson est-elle mise à la terre?
- Assurez-vous que le câble d'alimentation électrique ne touche PAS à la surface de cuisson.

FONCTIONNEMENT :

- Est-ce que tous les brûleurs peuvent s'allumer individuellement et simultanément?
- Les flammes sont-elles uniformes et de la bonne taille?
- Avez-vous expliqué le fonctionnement de base au client?

Compléter et conserver pour référence sûre:

Modèle _____

N ° De Série _____

Purchase Date _____

Date D'achat _____

Adresse Du Revendeur _____

Nom De L'installateur _____

Signature De L'installateur _____

Société D'installation _____

Date D'installation _____

