



**PERLICK**  
SELF-CONTAINED ICE MAKER

MODEL: H50IM

---

PRODUCT MANUAL

---

**IMPORTANT**

1. This booklet is an integral and essential part of the product and should be handed over to the user. Read the warnings contained in this booklet carefully as they give important indications regarding the safety of the installation, use and maintenance. Please preserve this booklet for any further consultation that may be necessary.
  
2. This Ice Maker should be destined only to the use for which it has been expressly conceived. Any other use should be considered improper and therefore dangerous. The manufacturer cannot be held responsible for eventual damage caused by improper, incorrect and unreasonable use.

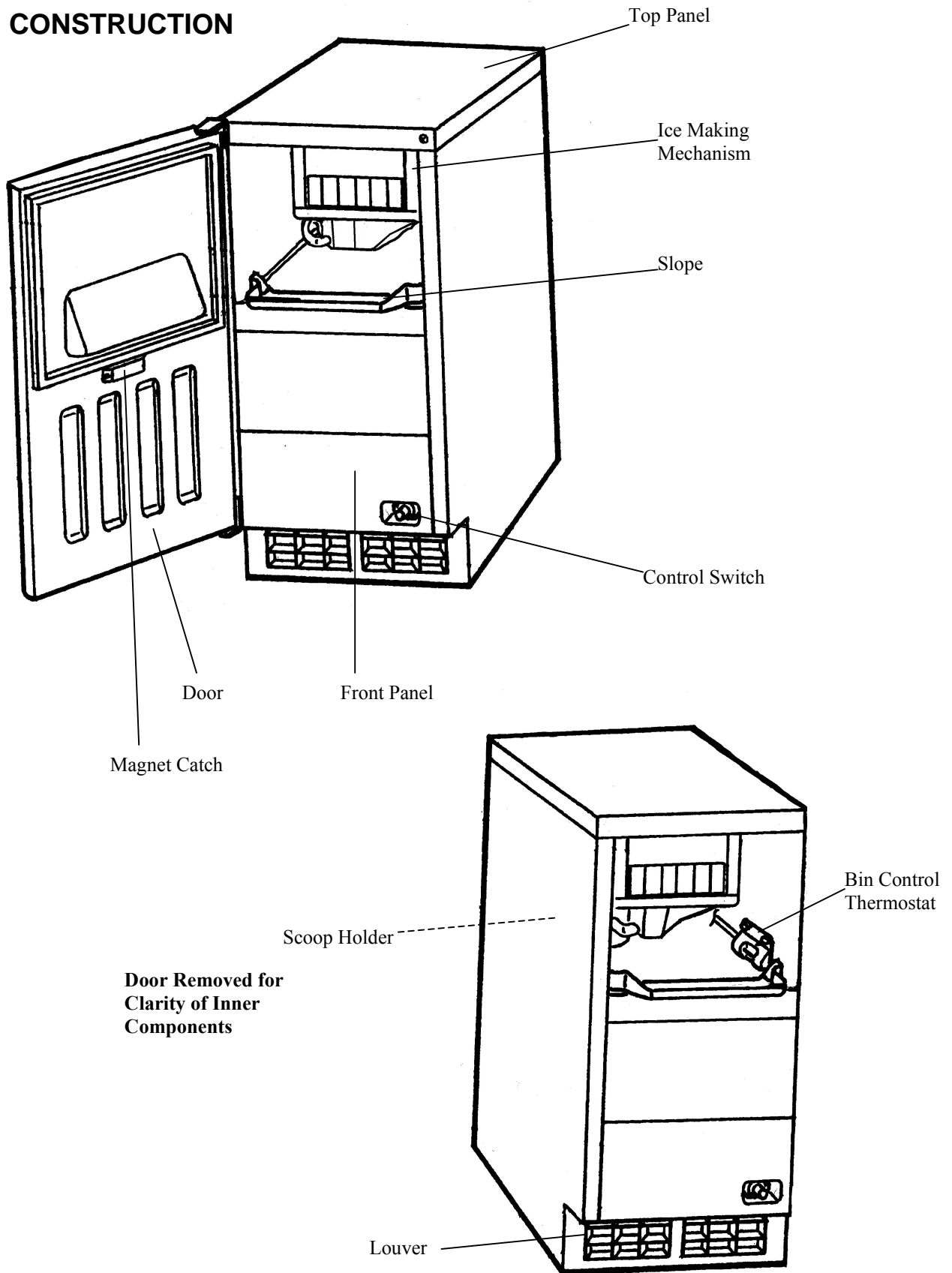
**CONTENTS**

**PAGE**

I. GENERAL INFORMATION -----		3
1. CONSTRUCTION-----		3
II. INSTALLATION AND OPERATING INSTRUCTIONS-----		4
1. CHECKS BEFORE INSTALLATION -----		4
2. LOCATION -----		5
3. ELECTRICAL CONNECTIONS-----		5
4. SET UP-----		6
5. WATER SUPPLY AND DRAIN CONNECTIONS -----		8
6. INSTALLERS FINAL CHECKLIST -----		9
7. STARTUP -----		9
8. PREPARING THE ICE MAKER FOR LONG STORAGE -----		10
III. MAINTENANCE AND CLEANING INSTRUCTIONS-----		11
1. CLEANING AND SANITIZING INSTRUCTIONS -----		11
[a] CLEANING SOLUTION -----		11
[b] CLEANING PROCEDURE -----		12
[c] SANITIZING SOLUTION -----		13
[d] SANITIZNG PROCEDURE -----		13
2. MAINTENANCE -----		17
IV. WARRANTY-----		18

# I. GENERAL INFORMATION

## 1. CONSTRUCTION



## II. INSTALLATION AND OPERATING INSTRUCTIONS

### 1. CHECKS BEFORE INSTALLATION

- \* Visually inspect the exterior of the shipping container, and any severe damage noted should be reported to the carrier.

#### **WARNING**

Remove shipping tape(s) and packing as follows. If any are left in the Ice Maker, it will not work properly.

#### **IMPORTANT**

1. Remove shipping tape holding the Door.
2. Ensure all components, fasteners and thumbscrews are securely in place.

- \* Remove the package containing accessories. Remove shipping tape holding the Separator to the Ice Making Mechanism.
- \* Check that refrigerant lines do not rub or touch lines or other surfaces.
- \* Check that the compressor is snug on all mounting pads.
- \* Make sure that the voltage supplied to the Ice Maker is 115-120 Volts, 60hz, single phase AC.

## 2. LOCATION

### WARNING

Normal operating ambient temperature should be within 45°F (7°C) to 100°F (38°C); Normal operating water temperature should be within 45°F (7°C) to 95°F (35°C). Operation of the Ice Maker, for extended periods, outside of these normal temperature ranges may affect production capacity.

For best operating results:

- \* The Ice Maker should not be located next to ovens, grills or other high heat producing equipment.
- \* The location should provide a firm foundation for the equipment. Level the Ice Maker from side to side and front to rear.
- \* For outdoor installation, avoid locating the Ice Maker where moisture can continuously drip on cabinet
- \* To prevent damage to the water supply line, drain the Ice Maker when air temperature is below freezing, See section 8.
- \* This Ice Maker requires no clearance at either side. But allow enough space at rear for water supply and drain connections and at least 15" (approx. 38 cm) clearance at front.

## 3. ELECTRICAL CONNECTIONS

### WARNING

#### **THIS APPLIANCE MUST BE GROUNDED.**

This Ice Maker requires a ground that meets the national and local electrical code requirements. To prevent possible severe electrical shock injury to individuals or extensive damage to equipment, install a proper ground wire to this Ice Maker. Remove the plug from the mains socket before any maintenance, repairs or cleaning is undertaken.

- \* This Ice Maker must be plugged into the separated power receptacle which has enough capacity. The maximum allowable voltage variation should not exceed  $\pm 10$  percent of the nameplate rating. See the Nameplate.
- \* If electrical service to the outlet is not adequate, an electrical permit and services of a licensed electrician are required.

## 4. SET UP

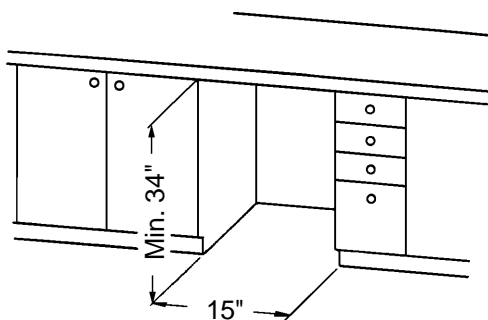
- 1) Unpack the Ice Maker, and remove all shipping cartons, tapes and packing BEFORE operating the unit. Be careful not to damage the exterior panels when handling the Ice Maker.
- 2) Position the Ice Maker in a selected site. Clean the interior with soap and water and rinse thoroughly.
- 3) Level the Ice Maker in both the left-to-right and the front-to-rear directions.

### BUILT-IN INSTALLATION

#### [a] CHECKING INSTALLATION SITE

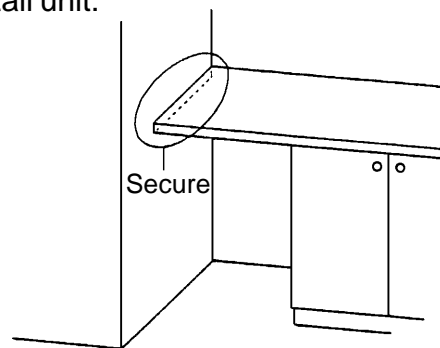
Ensure 15" (381mm) wide space for building in the Ice Maker.

- 1) To build in between two units:



**Fig. 1**

- 2) To build in between a unit and a wall or a tall unit:



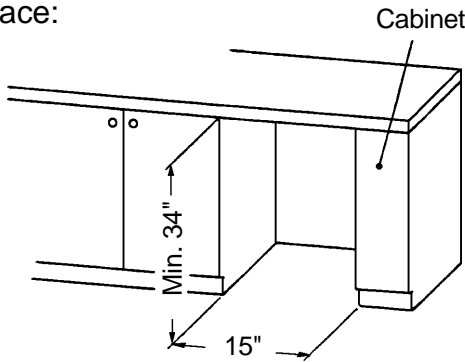
**Fig. 2**

Fix the counter on the wall with a bracket or the like. Ensure 15" (381mm) wide, min. 34" (864mm) high space for the Ice Maker.

#### **IMPORTANT**

Do not let the counter directly weigh down the Ice Maker.

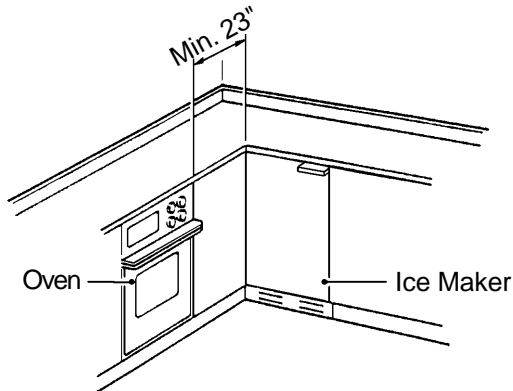
- 3) To build in between a unit and an open space:



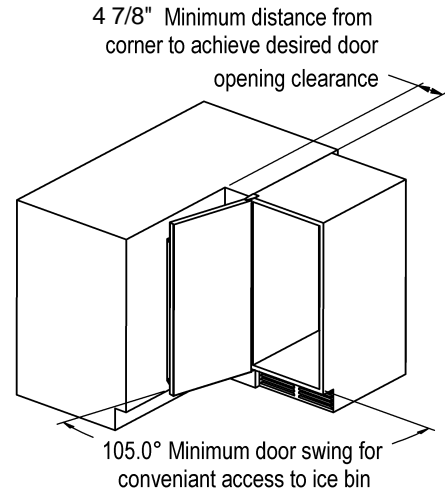
**Fig. 3**

Use a cabinet or the like to support the counter before building in the Ice Maker.

- 4) To build into an L-shaped kitchen:



**Fig. 4**



**Fig. 5**

Do not build in the Ice Maker at a corner where the Door will hit other equipment such as an oven handle or where the Ice Maker cannot be pulled out for service.

## [b] BUILDING IN THE ICE MAKER

- 1) Make water supply and drain connections.
- 2) Plug in the Ice Maker.
- 3) Build in the Ice Maker:  
Level the Ice Maker left-to-right and front-to-rear  
Slowly push the lower part of the Ice Maker into place. Beware of adjacent equipment.

### **IMPORTANT**

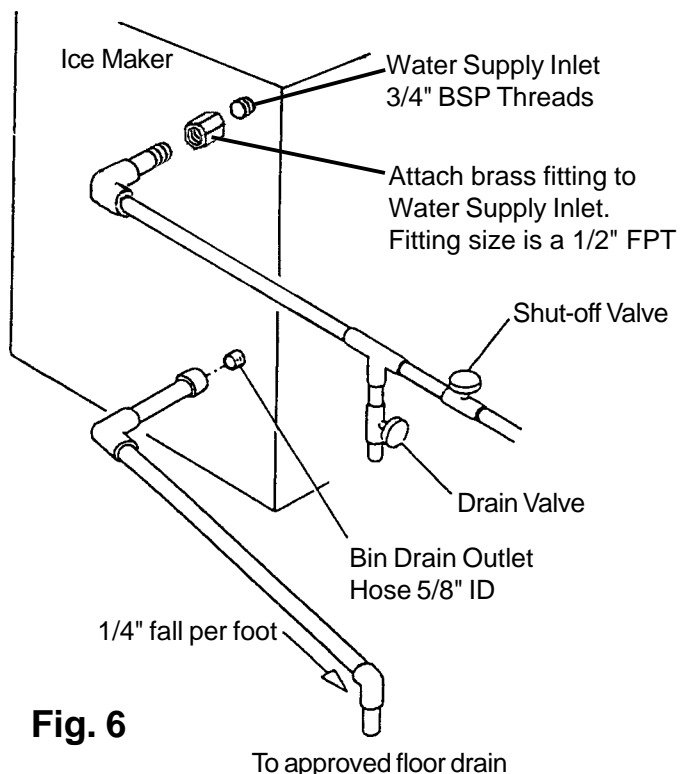
While building in the Ice Maker, do not damage the water supply and drain connections and the Power Cord.

## 5. WATER SUPPLY AND DRAIN CONNECTIONS

### WARNING

To prevent damage to the freezer mechanism, do not operate this Ice Maker when the water supply is OFF, or if the pressure is below 10 PSIG (0.7 bar), the recommended water pressure. Stop the Ice Maker until proper water pressure is resumed.

- \* Attach the brass fitting included in the accessory bag as shown in Fig. 5. The brass fitting size is a 1/2" FPT and must be connected only to a potable water supply.
- \* A water supply line shut-off valve and drain valve must be installed.
- \* Water supply pressure should be a minimum of 10 PSIG (0.7 bar) and a maximum of 113 PSIG (7.5 bar). If the pressure exceeds 113 PSIG (7.5 bar), use a pressure reducing valve.
- \* Drain outlet hose is 5/8" (16mm) ID and internally connected with 2/3" (17mm) OD drain outlet.
- \* For gravity drain installation, drain must be 1/4" fall per foot (2 cm fall per meter) on horizontal runs to get good flow.
- \* Keep a more than 2 vertical inch (5 vertical cm) air gap between the drain pipe end and the sink.
- \* The drain pipe must be so laid as to prevent a backflow into the Storage Bin.
- \* For condensate pump installation for exiting drain, refer to condensate pump instruction manual.
- \* A plumbing permit and services of a licensed plumber may be required in some areas.
- \* This Ice Maker should be installed in accordance with applicable national, state and local regulations.



**Fig. 6**

To approved floor drain



## **6. INSTALLER FINAL CHECK LIST**

- 1) Is the Ice Maker level?
- 2) Is the Ice Maker in a site where the ambient temperature is within 45°F (7°C) to 100°F (38°C) and the water temperature within 45°F (7°C) to 95°F (35°C) all year around?
- 3) Have all shipping tape(s), string and packing been removed from the Ice Maker?
- 4) Are all components, fasteners and thumbscrews securely in place?
- 5) Have all electrical and piping connections been made?
- 6) Has the power supply voltage been tested or checked against the nameplate rating?  
Has a proper earth been installed to the Ice Maker?
- 7) Are the Water Supply Line Shut-off Valve and Drain Valve installed? Has the water supply pressure been checked to ensure a minimum of 10 PSIG (0.7 bar) and a maximum of 113 PSIG (7.5 bar)?
- 8) Have the Compressor hold-down bolts and all refrigerant lines been checked against vibration and possible failure?
- 9) Has the user been given the Instruction Manual and instructed on how to operate the Ice Maker and the importance of periodic maintenance recommended?
- 10) Has the user been given the name and telephone number of the Authorized Service Agency?

## **7. START UP**

\* Check that shipping tape(s), string and packing are removed before starting the Ice Maker.

- 1) Clean inside the Storage Bin and Door.
- 2) Open the Water Supply Line Shut-off Valve and plug in the Ice Maker.
- 3) Move the Control Switch to the "ICE" position.

\* The freezing cycle will start automatically.

## 8. PREPARING THE ICEMAKER FOR LONG STORAGE

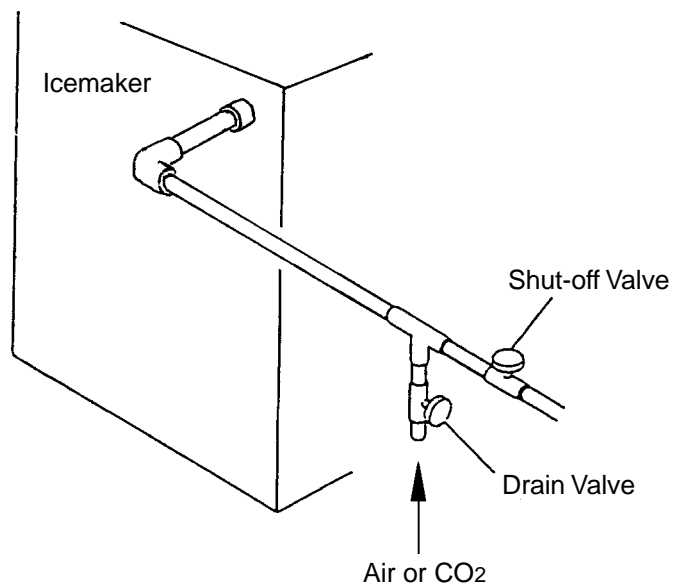
### WARNING

Drain the Ice Maker to prevent damage to the water supply line at subfreezing temperatures, using air or carbon dioxide. Shut off the Ice Maker until proper air temperature is resumed.

- 1) Close the Water Supply Line Shut-off Valve, and open the Drain Valve.
- 2) Move the Control Switch to the "OFF" position.
- 3) Blow out the water supply line and the internal water circuit.

Note: This procedure is necessary to protect the Ice Maker from freezing up at subfreezing temperature.

- 4) Unplug the Ice Maker.
- 5) Remove all ice from the Storage Bin, and clean the Bin.
- 6) Close the Drain Valve.



**Fig. 7**

### III. Cleaning and Maintenance

#### IMPORTANT

1. Ensure all components, fasteners and thumbscrews are securely in place after any maintenance or cleaning is done to the equipment.
2. Wash your hands before removing ice. Use the scoop provided to remove ice.
3. Keep the scoop clean. Clean it by using a neutral cleaner at least once a day, and rinse thoroughly.
4. Close the bin door after removing ice to prevent entrance of dirt, dust or insects into the bin.
5. Clean the bin liner at least once a month by using a neutral cleaner. Rinse thoroughly after cleaning.
6. The storage bin is for ice use only. Do not store anything else in the bin.
7. Keep the area around the Ice Maker clean. Dirt, dust or insects in the Ice Maker could cause electrical damage to the equipment or harm to individuals.

#### 1. Cleaning and Sanitizing Instructions

#### WARNING

1. PERLICK recommends cleaning this unit at least once a year. More frequent cleaning, however, may be required in some existing water conditions.
2. To prevent injury to individuals and damage to the Ice Maker, do not use ammonia type cleaners.
3. Always wear liquid-proof gloves to prevent the cleaning and sanitizing solutions from coming into contact with skin.

#### [a] Cleaning Solution

Dilute 5 fl. oz. (148 ml) of Perlick recommended cleaner "Scale Away" or "LIME-A-WAY" (Economics Laboratory, Inc.) with 1 gallon (3.8 l) of warm water. (No more than 32% phosphoric acid)

#### IMPORTANT

For safety and maximum effectiveness, use the solution immediately after dilution.

## [b] Cleaning Procedure

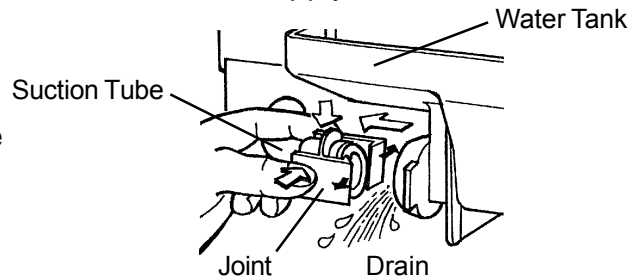
The cleaning process will remove lime deposits from the water system.

- 1) Remove all ice from the evaporator and the storage bin.

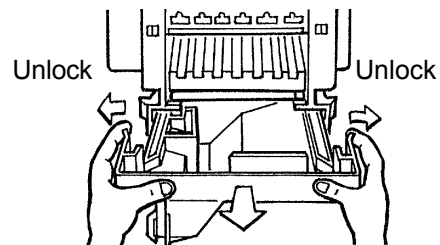
Note: To remove cubes on the evaporator, move the control switch to the "OFF" position and move it back to the "ICE" position after 3 minutes. The defrost cycle starts and the cubes will be removed from the evaporator.

- 2) Move the control switch to the "OFF" position. Close the water supply line shut-off valve.

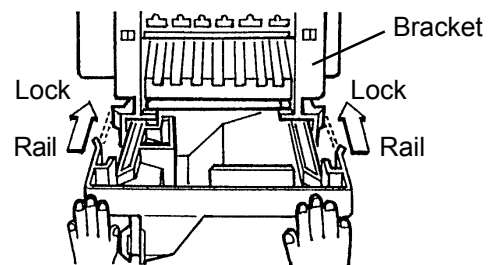
- 3) Disconnect the suction tube by compressing both plastic tabs to unlock the joint in the direction of the black arrows and pulling the tube clear.



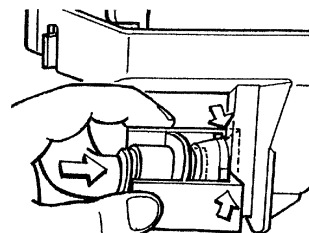
- 4) Spread out the tabs on both sides of the water tank to unlock it, then pull it out toward you. Drain the tank.



- 5) After draining, slide in the water tank along the rails at the bottom of the right and left brackets until it clicks into place.



- 6) Refit the suction tube onto the water tank inlet by pushing the joint to lock it securely in the direction of the arrows. A loose fitting may cause a water leak.



- 7) Slowly pour the cleaning solution into the water tank.

- 8) Move the control switch to the "WASH" position.

- 9) After circulating the cleaning solution for about 30 minutes, move the control switch to the "OFF" position.

- 10) Remove the water tank, drain it, and replace it as described in 3) through 6).
- 11) Open the water supply line shut-off valve.
- 12) Move the control switch to the "WASH" position to circulate clean water for about 5 minutes.
- 13) Move the control switch to the "OFF" position, then remove the water tank, drain it, and replace it as described in 3) through 6).
- 14) Repeat 12) and 13) three more times to rinse thoroughly.

### [c] Sanitizing Solution

Dilute 0.5 fl. oz. (14.8 ml or 1 tbs) of 5.25% sodium hypochlorite solution (chlorine bleach) with 1 gallon (3.8 l) of warm water. Using a chlorine test strip or other method, confirm that you have a concentration of about 200 ppm.

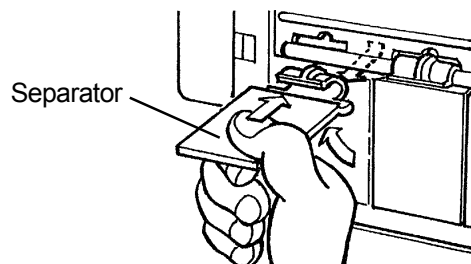
### IMPORTANT

For safety and maximum effectiveness, use the solution immediately after dilution.

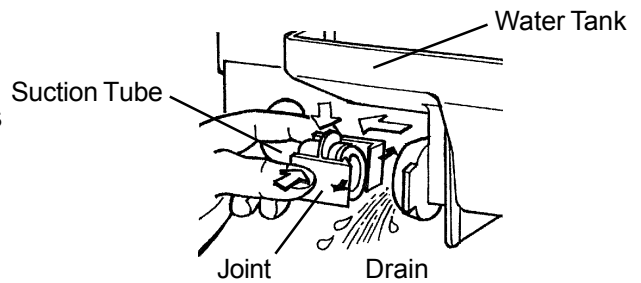
### [d] Sanitizing Procedure

The sanitizing process will sanitize the Ice Maker.

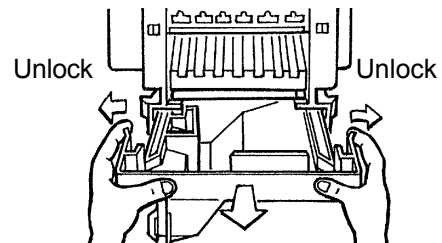
- 1) Move the control switch to the "OFF" position.
- 2) Open the bin door and remove ice from the storage bin.
- 3) Remove the slope by bending its center carefully and releasing it from the two slope shafts. Remove the slope from the storage bin.
- 4) Thoroughly clean and sanitize the storage bin, slope, scoop and any parts normally accessible from the storage bin.
- 5) Remove each separator by lifting it to the horizontal position and pushing it hard inward. Remove all separators in the same way and clean and sanitize them.



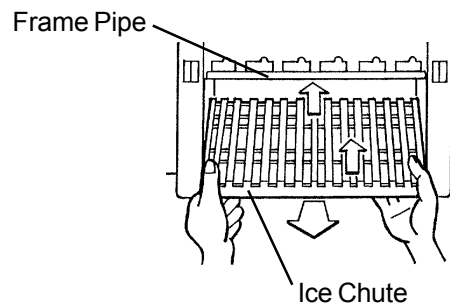
- 6) Disconnect the suction tube by compressing both plastic tabs to unlock the joint in the direction of the black arrows and pulling the tube clear to drain the tank.



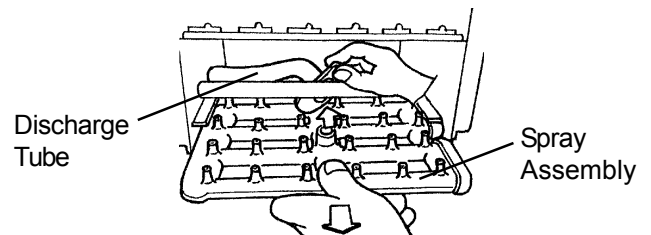
- 7) Spread out the tabs on both sides to unlock the water tank, and pull it out toward you. Soak the water tank in the sanitizing solution for 10 minutes.



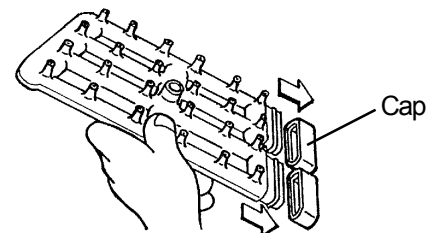
- 8) Lift off the ice chute from the front frame pipe and then from the rear frame pipe. Soak the ice chute in the sanitizing solution for 10 minutes.



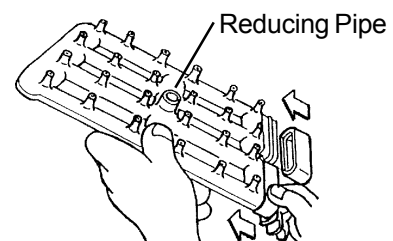
- 9) Pull the discharge tube from the spray assembly. Remove the assembly by pulling it toward you.



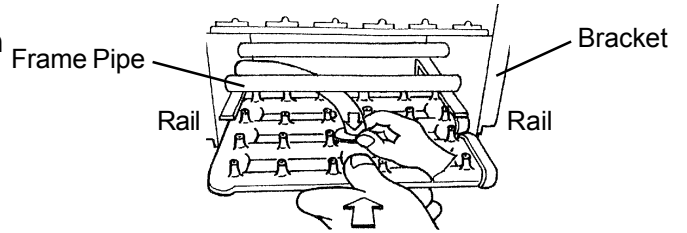
- 10) Remove the two caps. Soak the caps and the spray assembly in the sanitizing solution for 10 minutes. If the nozzles are clogged, clean them with a wire or a suitable brush.



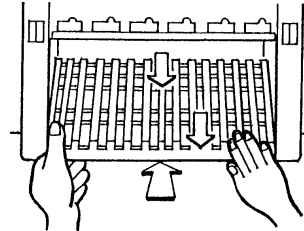
- 11) Refit the two caps in their correct positions. Make sure the reducing pipe is in place in the center.



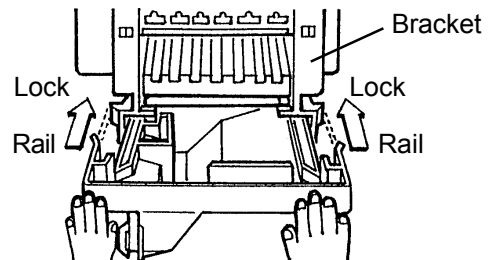
- 12) Slide in the spray assembly along the rails on the right and left brackets. Refit the discharge tube securely on the spray assembly. A loose fitting may cause a water leak.



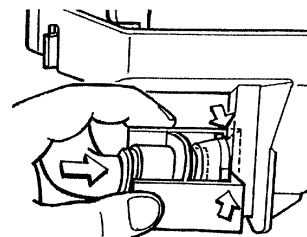
- 13) Position and lock the ice chute onto the front and rear frame pipes by pushing the chute down until it clicks onto both pipes.



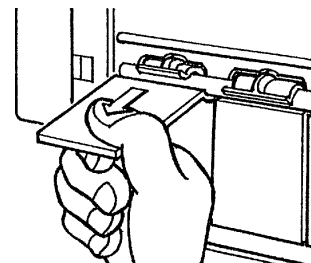
- 14) Slide in the water tank along the rails at the bottom of the right and left brackets until it clicks into place.



- 15) Refit the suction tube onto the water tank inlet by pushing the joint to lock it securely in the direction of the arrows. A loose fitting may cause a water leak.



- 16) Hook each separator onto the rail, and pull it hard toward you until it locks in place with a click. Refit all the separators in the same way.



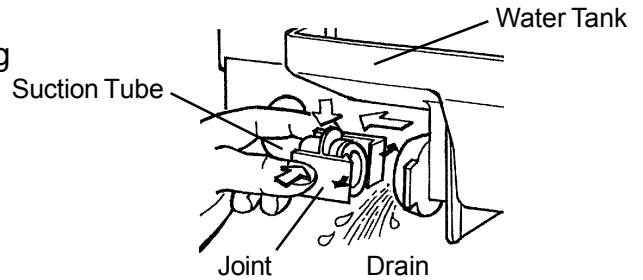
- 17) Refit the slope in its correct position.

- 18) Close the water supply line shut-off valve.

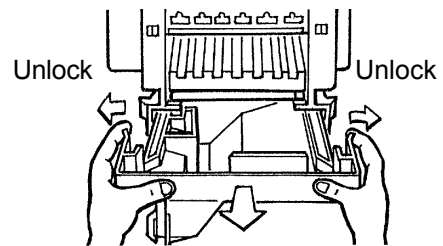
- 19) Discard the sanitizing solution.

- 20) Mix a new batch of the sanitizing solution and slowly pour it into the water tank.
- 21) Move the control switch to the "WASH" position.
- 22) After circulating the sanitizing solution for about 15 minutes, move the control switch to the "OFF" position.

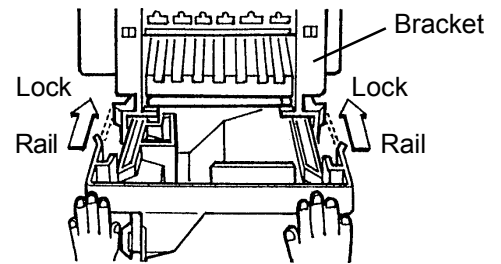
- 23) Disconnect the suction tube by compressing both plastic tabs to unlock the joint in the direction of the black arrows and pulling the tube clear.



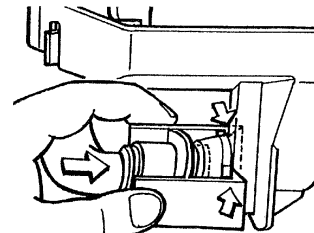
- 24) Spread out the tabs on both sides of the water tank to unlock it, then pull it out toward you. Drain the tank.



- 25) After draining, slide in the water tank along the rails at the bottom of the right and left brackets until it clicks into place.



- 26) Refit the suction tube onto the water tank inlet by pushing the joint to lock it securely in the direction of the arrows. A loose fitting may cause a water leak.



- 27) Repeat 20) through 26) one time.
- 28) Open the water supply line shut-off valve.



- 29) Move the control switch to the "WASH" position to circulate clean water for about 5 minutes.
- 30) Move the control switch to the "OFF" position, then remove the water tank, drain it, and replace it as described in 23) through 26).
- 31) Repeat 29) and 30) two more times to rinse thoroughly.
- 32) Move the control switch to the "ICE" position, and start the automatic icemaking process.

## 2. Maintenance

### **IMPORTANT**

This icemaker must be maintained individually, referring to the instruction manual and labels provided with the icemaker.

#### 1) Exterior

To keep the exterior clean, wipe occasionally with a clean and soft cloth. Use a damp cloth containing a neutral cleaner to wipe off all oil or dirt build-up.

#### 2) Condenser

Check the condenser once a year, and clean if required by using a brush or vacuum cleaner. More frequent cleaning may be required depending on the location of the icemaker.

## **PERLICK H50IM ICE MAKER LIMITED WARRANTY**

### **ENTIRE PRODUCT- Full One Year Warranty:**

For one year from the date of original installation, Perlick Corporation's warranty covers all parts and labor to repair or replace any part of the product, which proves to be defective in material and workmanship.

### **TERMS:**

The Perlick Warranty applies to products installed in the fifty United States, the District of Columbia or the ten provinces of Canada.

All service provided by Perlick Corporation under the above warranty must be performed by authorized Perlick service representatives, unless otherwise specified by Perlick.

Service will be provided in the home during normal business hours.

This warranty applies only to products installed for normal residential use, it does not include adjusting the controls, or cleaning the condenser.

This warranty is extended only to the original purchaser of the Perlick product.

The above warranty does not apply if:

- Failure of product was due to transportation
- Product was: improperly installed, misused, abused, operating with low voltage, wiring not conforming electrical codes, improperly maintained or modified.
- The original Bill of Sale, delivery date or serial number cannot be verified.
- Defective parts are not returned for inspection if so required by the Perlick Corporation.

To receive parts and or service and the name of the nearest Perlick authorized service representative, contact your Perlick dealer, distributor or Perlick Corporation's Technical Service Department; 8300 West Good Hope Road, Milwaukee Wisconsin, 53223; call 800 558-5592, E-mail us at [warranty@perlick.com](mailto:warranty@perlick.com) , or visit our web: [www.bringperlickhome.com](http://www.bringperlickhome.com)

This limited warranty is in lieu of any other warranty, expressed or implied, including, but not limited to any implied warranty of merchantability or fitness for a particular purpose; provided however, that to the extent required by law, implied warranties are included but do not extend beyond the duration of the express warranty first set above. Perlick's sole liability and your exclusive remedy under this warranty are set forth in the initial paragraph above. Perlick Corporation shall have no liability whatsoever for any incidental, consequential or special damages arising from the sale, use or installation of the product or from any other causes whatsoever, whether based on warranty (expressed or implied) or otherwise based on contract, tort or any other theory of liability.

Some states do not allow limitations on how long an implied warranty lasts or the exclusion or limitation of incidental or consequential damages, so the above limitations may not apply to you. This warranty gives you specific legal rights, and you may also have other rights, which vary, from state to state.

