



Register your new Bosch now:
www.bosch-home.com/welcome



Dishwasher
SHEM63W52N SHEM63W55N
SHEM63W56N







BOSCH

en-us Operating instructions

fr-ca Notice d'utilisation

Table of contents

	Safety Definitions	5
	IMPORTANT SAFETY INSTRUCTIONS	6
	Causes of Damage	9
	Getting Started	10
	Rinse Aid	12
	Loading the Dishwasher	13
	Detergent	21
	Dishwasher Cycles	23
	Dishwasher Cycle Options	24
	Operating the Dishwasher	26
	Care and Maintenance	29
	Troubleshooting	33
	Customer Service	37
	Statement of Limited Product Warranty	38

Dear Valued Customer,

Thank you for selecting a Bosch® dishwasher. You have joined the many consumers who demand quiet and superior performance from their dishwashers.

This manual was written with your safety and convenience in mind, and the information contained herein is very important. We highly recommend that you read this manual before using your dishwasher for the first time.

To learn more about your dishwasher and available accessories, as well as many other top quality Bosch appliances, visit our web site at:

www.bosch-home.com/us (USA)

or

www.bosch-home.ca (Canada)

While there, don't forget to register your new dishwasher by clicking on the "Support" tab or filling out the product registration card enclosed with your new unit.

If you have any questions or comments, please contact us by phone at:

1-800-944-2904

or write us at:

BSH Home Appliances Corporation
1901 Main Street, Suite 600
Irvine, CA 92614



Safety Definitions

WARNING

This indicates that death or serious injuries may occur as a result of non-observance of this warning.

CAUTION

This indicates that minor or moderate injuries may occur as a result of non-observance of this warning.

NOTICE

This indicates that damage to the appliance or property may occur as a result of non-compliance with this advisory.

Note: This alerts you to important information and/or tips.

IMPORTANT SAFETY INSTRUCTIONS

READ AND SAVE THESE INSTRUCTIONS

This dishwasher is provided with Installation Instructions and this Use and Care Manual. Read and understand all instructions before using the dishwasher.

This dishwasher is intended for use up to a maximum altitude of 13,000 ft (4,000 meters) above sea level.

To reduce the risk of fire, electrical shock, or serious injury, observe the following:

WARNING

RISK OF INJURY OR DEATH!
Misuse of the dishwasher can result in serious injury or death. Do not use the dishwasher in any way not covered in this manual or for any purpose other than those explained in the following pages.

WARNING

RISK OF INJURY!
Severe injury and/or product damage could result from the use of unauthorized service technicians or non-original replacement parts. All repairs must be performed by an authorized service technician using only original equipment factory replacement parts.

WARNING

RISK OF ELECTRICAL SHOCK OR FIRE!

Electrical shock or fire could result if the electrical supply for the dishwasher covered in this manual is incorrectly installed or if the dishwasher has been improperly grounded. Do not use the dishwasher covered in this manual unless you are certain the electrical supply has been correctly installed and the dishwasher has been properly grounded.

WARNING

HEALTH HAZARD!

Never use harsh chemicals to clean your dishwasher. Some chloride-containing products can damage your dishwasher and may present health hazards!



IMPORTANT SAFETY INSTRUCTIONS

READ AND SAVE THESE INSTRUCTIONS

GROUNDING INSTRUCTIONS

This appliance must be grounded to a metal, permanent wiring system or an equipment grounding conductor must be run with the circuit conductors and connected to the equipment grounding terminal or lead on the dishwasher. See the Installation Instructions included with this dishwasher for more information on electrical requirements.

WARNING

RISK OF ELECTRIC SHOCK!

This appliance must be grounded. In the event of a malfunction or breakdown, grounding will reduce the risk of electric shock by providing a path of least resistance for electric current. This appliance is equipped with a cord having an equipment-grounding conductor.

Improper connection of the equipment-grounding conductor can result in risk of electric shock. Check with a qualified electrician if you are in doubt whether the appliance is properly grounded.

Safe Operation

Use this dishwasher only for its intended function, which is the washing of household dishware and kitchenware rated as dishwasher safe.

Use only detergents or rinsing agents recommended for use in a dishwasher, and keep them out of the reach of children.

CAUTION

When loading items to be washed:

- Locate sharp items so they are not likely to damage the door seal.
- Load knives and other sharp utensils with their HANDLES UP to reduce the risk of cut-type injuries.
- Do not wash plastic items unless they are marked “dishwasher safe” or the equivalent. For plastic items not so marked, check the manufacturer’s recommendations.
- Do not operate your dishwasher unless all enclosure panels are in place.
- Do not tamper with or override controls and interlocks.

Do not abuse, sit or stand on the door or dish racks of the dishwasher.

WARNING

RISK OF INJURY!

To avoid risk of injury, always use caution when opening the door during or following a wash cycle as hot water or steam may escape. Do not fully open the door until water noises have stopped and steam has subsided.

NSF/ANSI 184 Certified residential dishwashers are not intended for licensed food establishments.

IMPORTANT SAFETY INSTRUCTIONS

READ AND SAVE THESE INSTRUCTIONS

Child Safety

To reduce risk of injury, do not allow children to play in or on the dishwasher.

When children become old enough to operate the appliance, it is the responsibility of the parents/legal guardians to ensure the children are instructed in safe practices by qualified persons.

Proper Care and Maintenance

WARNING

RISK OF EXPLOSION!
Under certain conditions, hydrogen gas may be produced in a hot water system that has not been used for two weeks or more. Hydrogen gas is explosive. Before using a dishwasher that is connected to a hot water system that has been unused for two weeks or longer, turn on all hot water faucets and let the water flow from each for several minutes. This will release any accumulated hydrogen gas. As the gas is explosive, do not smoke or use an open flame during this time.

Remove the dishwasher door to the washing compartment when removing an old dishwasher for service or discarding.

To avoid floor damage and possible mold growth, do not allow wet areas to remain around or under the dishwasher.

To avoid dishwasher damage, do not allow water to remain in your dishwasher systems through extended periods of freezing

temperatures. Freezing temperatures can damage the water fill valve and potentially other components of your dishwasher.

NOTICE

It is highly recommended for the end user to become familiar with the procedure to shut off the incoming water supply and the procedure to shut off the incoming power supply. See the Installation Instructions or contact your installer for more information.

WARNING

**STATE OF CALIFORNIA
PROPOSITION 65 WARNINGS!**
This product contains one or more chemicals known to the State of California to cause cancer, birth defects, or other reproductive harm.



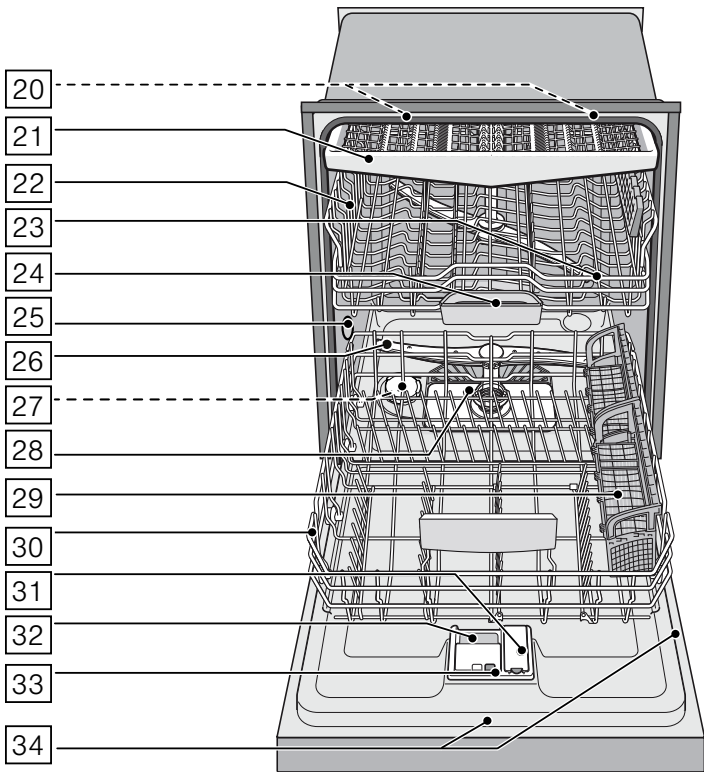
Causes of Damage

NOTICES

- Never use steam cleaning products to clean your dishwasher. The manufacturer will not be liable for the possible damages or consequences.
 - Bleach-based wipes can cause stainless-steel doors and tubs to rust.
 - Using harsh chemicals (e.g. bleach), abrasive cleaners, scouring pads (metal or plastic), or abrasive cloths/paper towels can damage your dishwasher's exterior door panel, fascia panel and buttons.
 - To avoid dishwasher damage, do not load the dishwasher with paper products, plastic bags, packing materials or anything other than normal, dishwasher safe dishware and kitchenware.
-

Getting Started

Appliance overview



The dotted lines show optional features which may or may not be included with your dishwasher.

The numbers stated below refer to the overview images on the previous page of this manual.

Operating panel

- 1 On/Off button
- 2 Wash cycles
- 3 Digital display
- 4 Delay start button
- 5 Wash cycle options
- 6 Start button

Dishwasher interior components

- 20 Interior light *
- 21 Third rack
- 22 Upper rack
- 23 Upper spray arm
- 24 Detergent tab tray
- 25 Vent hole
- 26 Lower spray arm

Menu overview

The dishwasher has been preset with certain settings for your convenience. You can change these factory settings.

Setting	Factory setting	Description
<i>r</i> Rinse aid <i>r:00 - r:06</i>	<i>r:05</i>	Amount of rinse aid affects drying. When using Multitabs, select setting 0.
<i>d</i> Intensive drying <i>d:00 - d:01</i>	<i>d:00 / Off</i>	Improved drying for glasses and plasticware.
<i>P</i> Auto power off <i>P:00 - P:02</i>	<i>P:01</i>	Dishwasher switches off automatically after wash cycle is complete.

- 27 Dispenser for special salt*
- 28 Filters
- 29 Silverware basket
- 30 Lower rack
- 31 Rinse aid dispenser
- 32 Detergent dispenser
- 33 Lock for detergent dispenser
- 34 Rating plate

* optional feature which may or may not be included with your dishwasher.

Display indicators

<i>0:00</i>	Cycle time remaining
Clean	Lights up when dishes are clean
Sanitize	Lights up when sanitation requirements are met
Add Rinse Aid	Lights up when rinse aid is low

Use the function keys A, B and C to change the settings.

Rinse Aid

To achieve proper drying, always use a liquid rinse aid, even if your detergent contains a rinse aid or drying additive.

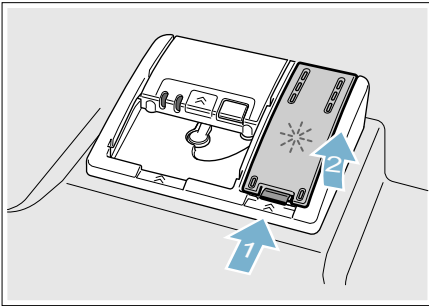
Note: The dishwasher indicates low rinse aid by turning on the Rinse Aid indicator on the display [3]. If this indicator lights up, you need to refill the rinse aid dispenser [31] by following the directions below.

Adding rinse aid

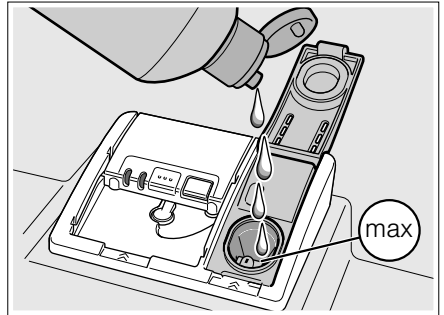
NOTICE

To avoid oversudsing or clogging, do not overfill the rinse aid dispenser [31]. Wipe up any spills with a damp cloth.

1. Open the rinse aid dispenser [31] by pressing on the latch of the lid and pull it open.



2. Add liquid rinse aid to the dispenser [31] until it is full. Do not overfill.



3. Close the lid. Lid must be fully closed until it clicks in order to seal.
4. Wipe up any excess rinse aid that may have puddled when the dispenser reservoir is full. The indicator light will go out a few moments after the dishwasher door is shut.

NOTICE

Do not fill the rinse aid dispenser [31] with detergent. Doing so will damage the dishwasher.

Setting the amount of rinse aid used

The amount of rinse aid dispensed can be set from *r:00* to *r:06*. The factory setting is *r:05*.

You should only change the setting if streaks remain on the dishes (lower the amount), or if dishes are not getting dry enough (increase the amount).

Setting	Amount
<i>r:00</i>	dispenser is OFF
<i>r:01</i>	lowest setting
<i>r:02</i>	low setting

Setting	Amount
r:03	medium setting
r:04	medium/high setting
r:05	high setting
r:06	highest setting

1. Press the **On/Off** button .
2. Hold down the function key  and press the **Start** button  until the display  indicates $d:0x$ (x can be any number). Release both buttons.
3. Press the function key  until the display  shows r:05.
4. Press the function key  to select the desired setting.
5. Press the **Start** button  to save the setting.

Turning off rinse aid indicator

Proceed as described in the section “Setting the amount of rinse aid used” and set value to r:00. The rinse aid indicator is now turned off.

NOTICE

Using no rinse aid or setting the dispenser to r:00 may result in longer cycle times consuming more energy and water. The higher temperatures and longer cycle times can damage fine china or glassware.



Loading the Dishwasher

Dishware material

Note: Before using your dishwasher for the first time, check the information in this section. Some items are not dishwasher-safe and should be hand washed; others require special loading.

Recommended

Aluminum	Colored anodized aluminum may fade over time. Minerals in your water may cause the aluminum to darken or spot. This can usually be removed with a soap-filled steel wool pad.
China, Crystal, Stoneware	Some hand-painted utensils may discolor, fade or spot. Hand wash these utensils. Position fragile glassware so that it will not topple over or come in contact with other utensils during the wash cycle.
Glass	Milk glass may discolor or become yellow.
Non-stick Coatings	Apply a light coating of vegetable oil to non-stick surfaces after drying.
Plastics	Make sure the plasticware is dishwasher-safe.
Stainless Steel, Sterling Silver and Silver Plates	Load these so they do not come in contact with other metals, stainless steel dishwasher tub walls or the inner door.

en-us Loading the Dishwasher

Not Recommended	
Acrylic	Crazing or small cracks throughout the acrylic, may occur.
Adhesive-Joined Pieces	Adhesives that join materials such as plastic, wood, bone, steel, copper, tin, etc. may loosen.
Bone-Handled Utensils	Handles may separate.
Iron	Iron will rust. Hand wash and dry immediately.
Non-Dishware Items	Your dishwasher is intended for use in cleaning ONLY standard household dishware and kitchenware.
Pewter, Brass, Bronze	These items will tarnish. Hand wash and dry immediately.
Tin	Tin will stain. Hand wash and dry immediately.
Wood	Wooden bowls, wooden utensils and utensils with wooden handles can crack, warp and lose their finish.

Loading the racks

For best dishwashing results, observe the following when loading the dishwasher:

- Do not pre-wash items with loosely attached food soil.
- Remove all food particles, bones, toothpicks and excessive grease.
- Pre-treat items having burned-on, baked-on or starchy soils.
- Load dishes in the dishwasher racks so the insides of bowls, pots and pans are facing the spray arms.
- Avoid nesting and contact points between dishes.
- Separate items of dissimilar metals. Use care to not block movement of the spray arms.

- Only wash household dishware and kitchenware rated as dishwasher-safe. Refer to the Dishware Materials section for more information about dishware suitability.

NOTICE

To avoid dishwasher damage, do not load the dishwasher with paper products, plastic bags, packing materials or anything other than normal, dishwasher safe dishware and kitchenware.

Loading the upper rack

Ensure items do not protrude through the bottom of the racks and block the spray arms.

Note: When pushing the upper rack [22] into the dishwasher, push it until it stops against the back of the tub so the upper rack spray arm [23] connects to the water supply at the back of the tub. Do not push racks in using the door.

Loading the lower rack

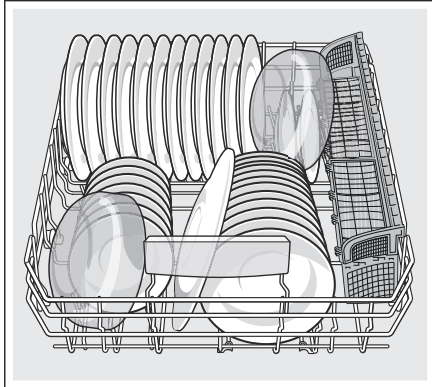
Place large items in the lower rack [30]. Load pots, pans and bowls upside down. Do not block the vent hole [25] with tall baking sheets. Load these items on the right side of the dishwasher.

Recommended loading pattern

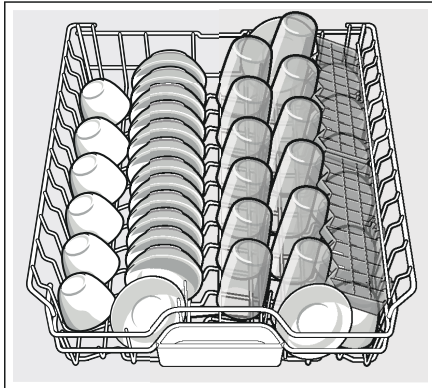
For daily, regular or typical use

12 place setting

Lower rack **30**

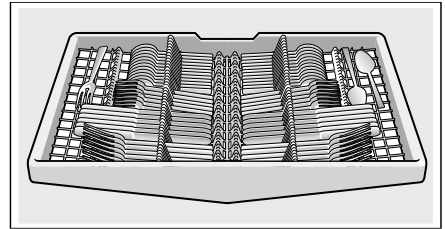


Upper rack **22**



Note: Folding the cup shelves down will allow the cups to sit at an increased angle and reduce water pooling on cup bottoms.

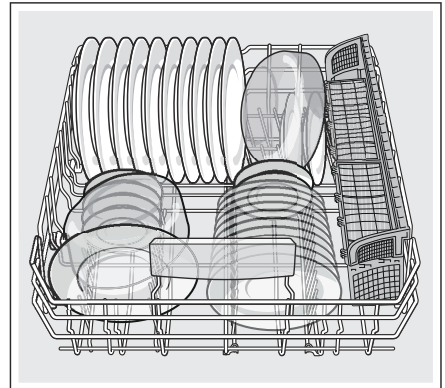
Third rack **21**



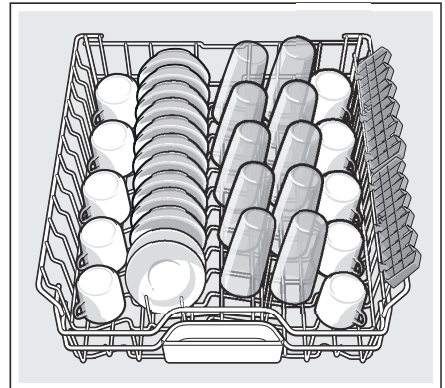
Additional loading pattern

10 place setting

Lower rack **30**

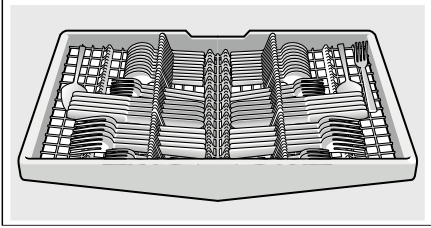


Upper rack **22**



Note: Folding the cup shelves down will allow the cups to sit at an increased angle and reduce water pooling on cup bottoms.

Third rack [21]



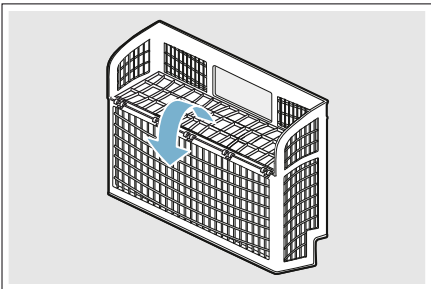
Loading the silverware basket

Place knives and sharp utensils with their handles up and forks and spoons with their handles down. If large or oddly-shaped items are loaded in the silverware basket, be sure they do not nest together.

⚠ WARNING

RISK OF INJURY!
The sharp points and edges of knives and other sharp utensils can cause serious injury. Load knives and other sharp utensils with edges down. Do not allow children to handle or play near knives and sharp utensils.

Long silverware basket



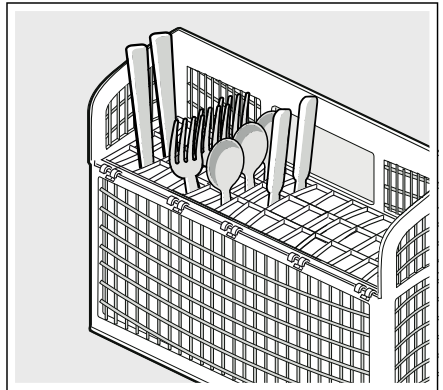
Note: The silverware basket lid may also be folded downward in order to leave the basket open.

This dishwasher is equipped with a silverware drawer that should accommodate most silverware loading needs.

However, if you are washing while the silverware drawer has been removed, or with excess silverware, a silverware basket is also included.

When loading the silverware basket you should avoid excessive contact points and nesting of similar items (allowing two spoons to rest inside one another).

A good way to avoid excessive contact points is to load the silverware basket with the lids closed, inserting each piece of silverware into one of the individual slots as shown.



Unloading the dishwasher

When unloading the dishwasher, to prevent water from dripping onto dry dishes, unload the lower rack [30] first. Next, unload the silverware basket [29] followed by the upper rack [22], and then the third rack (if equipped).

Note: Dishes are more likely to chip when unloading before cooling.

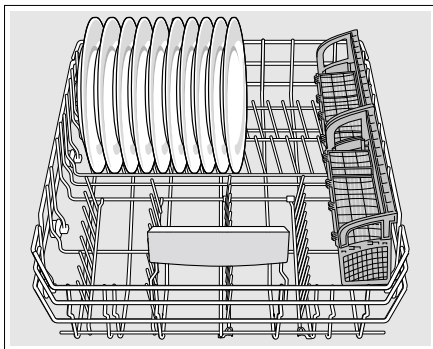
Adjusting the height of the rack

If required, the height of the upper rack [22] can be adjusted to create more space for taller utensils either in the upper or lower rack.

With silverware basket	Upper rack	Lower rack
Setting 1 max. \varnothing	9.4 in (24 cm)	13.4 in (34 cm)
Setting 2 max. \varnothing	10.4 in (26.5 cm)	12 in (30.5 cm)
Setting 3 max. \varnothing	11.4 in (29 cm)	11 in (28 cm)

With third rack	Upper rack	Lower rack
Setting 1 max. \varnothing	7 in (18 cm)	13.4 in (34 cm)
Setting 2 max. \varnothing	8 in (20.5 cm)	12 in (30.5 cm)
Setting 3 max. \varnothing	9 in (23 cm)	11 in (28 cm)

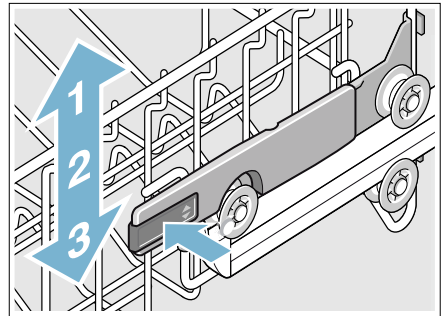
Arrange large plates up to a diameter of 13.4 in (34 cm) in the lower basket [30] as illustrated.



RackMatic®

The height of the upper rack [22] can be adjusted in 3 steps to create more space.

1. Pull the upper rack out of the dishwasher until it stops.
2. To lower the rack, push the RackMatic® lever inward.
3. To raise the rack, hold the basket on the sides of the upper rack and lift it up.



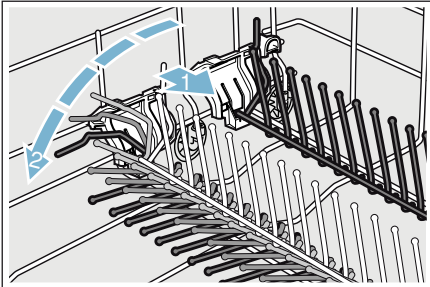
Note: Check spray arm for clearance after adjustment.

Rack accessories

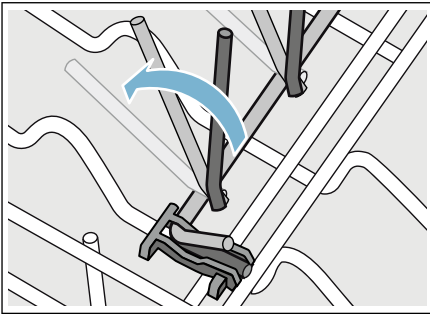
Flip tines

The upper and lower rack are fitted with flip tines that can be folded down depending on what you may need to load in the rack.

Lower rack flip tines: To fold down, pull flip tine gently forward and release it from the notch. Push the flip tine downward. To fold up, push flip tines into an upright position until the holder engages in the notch.

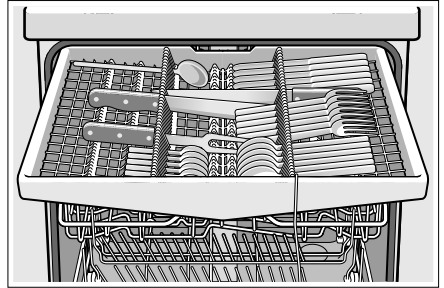


Upper rack flip tines: To fold down, push flip tines downward with gentle pressure. To fold up, push flip tines into an upright position until the holder engages in the notch.



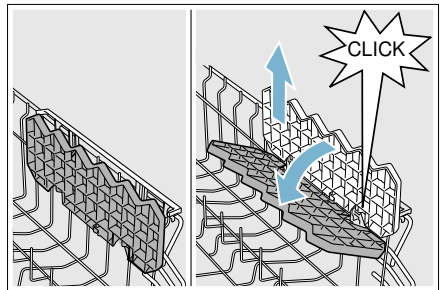
Third rack

The third rack [21] horizontally positions knives, spatulas and other oversized tools for improved cleaning and easier loading and unloading. Arrange cutlery in third rack as illustrated.

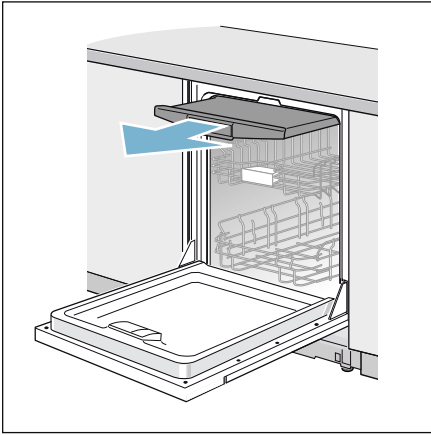


Cup shelves

The cup shelves and the space underneath them can be used for small cups or for larger serving utensils.

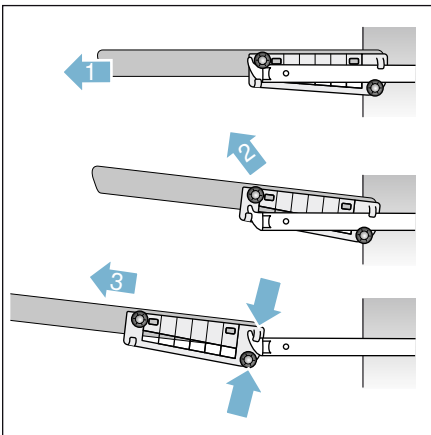


Removing/Installing third rack



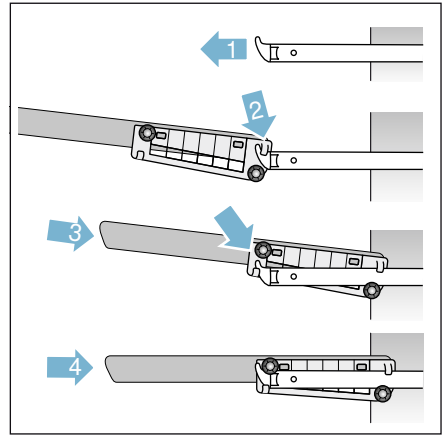
Removing third rack [21]

1. Pull out third rack all the way (1).
2. Lift upper rollers over the stopper hooks of both rails (2).
3. Pull third rack out forward and upward so the the holding hooks and the lower rollers of the rack slide over the stopper hooks of both rails (3).

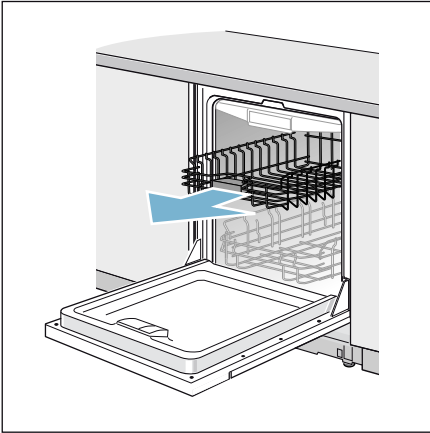


Installing third rack [21]

1. Pull out third rack rails all the way (1).
2. Insert third rack at an angle. Make sure that the stopper hooks of both rails slide in between the holding hooks and the lower rollers of the third rack (2).
3. Slide third rack in and lift the upper rollers over the front stopper hooks of both rails (3).
4. Push in third rack (4).

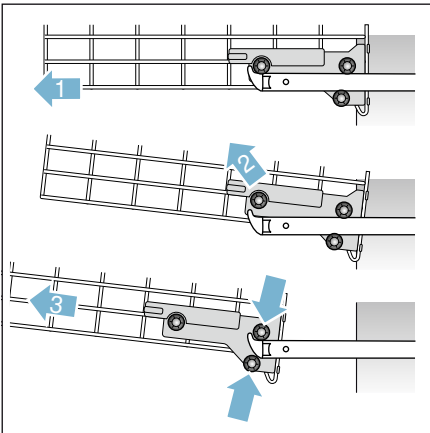


Removing/Installing upper rack with Rackmatic®



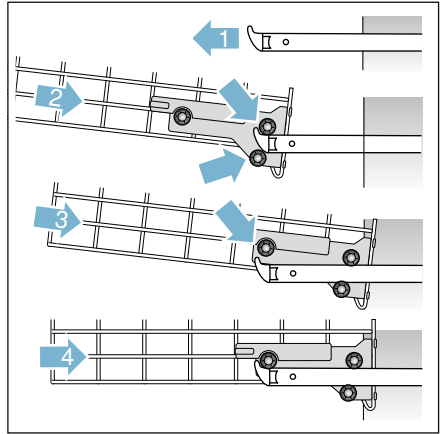
Removing upper rack [22]

1. Pull out upper rack all the way (1).
2. Lift front rollers over the stopper hook of the rail (2).
3. Pull out upper rack forwards and upwards so that the upper and lower rollers of the rack slide over the stopper hooks of both rails (3).



Installing upper rack [22]

1. Pull out upper rack rails all the way (1).
2. Insert upper rack at an angle. Make sure that the stopper hooks of both rails slide in between the upper and lower rollers on the rear side of the rack (2).
3. Slide upper rack in and lift the upper rollers over the front stopper hooks of both rails (3).
4. Push in upper rack (4).





Detergent

Use only detergent specifically designed for dishwashers. For best results, use fresh powdered dishwashing detergent or detergent tabs.

NOTICE

- To avoid dishwasher damage:
- Do not use hand dishwashing products in your dishwasher.
 - Do not use too much detergent if your water is soft. Using too much detergent with soft water may cause etching in glassware and fine china.

This dishwasher uses less water than most, therefore, less detergent is required. With soft water, 1 tablespoon (15 ml) of detergent will clean most loads. The detergent dispenser cup has lines that measure detergent to 1 tablespoon (15 ml) and 1.75 tablespoons (25 ml). 3 tablespoons (45 ml) of detergent will completely fill the detergent dispenser.

Note: If you do not know the hardness of your water supply, use 15 ml of detergent. Increase the amount if necessary to the least amount required to get your kitchenware clean.

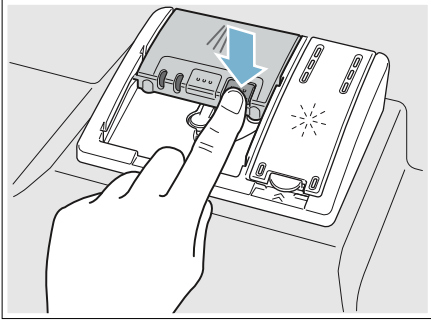
Use the measuring lines in the detergent dispenser cup as a guide to measure the amount of detergent recommended in the following table.

Wash Cycle	Hard Water/ Heavy Soil	Medium Water/ Medium Soil	Soft Water/ Little Soil
Heavy	3 tbsp (45 ml)	3 tbsp (45 ml)	1.75 - 3 tbsp (25 - 45 ml)
Auto	1.75 - 3 tbsp (25 - 45 ml)	1.75 tbsp (25 ml)	1 - 1.75 tbsp (15 - 25 ml)
Normal	1.75 - 3 tbsp (25 - 45 ml)	1.75 tbsp (25 ml)	1 - 1.75 tbsp (15 - 25 ml)
Speed60®	1.75 tbsp (25 ml)	1 - 1.75 tbsp (15 - 25 ml)	1 tbsp (15 ml)
Rinse	none	none	none

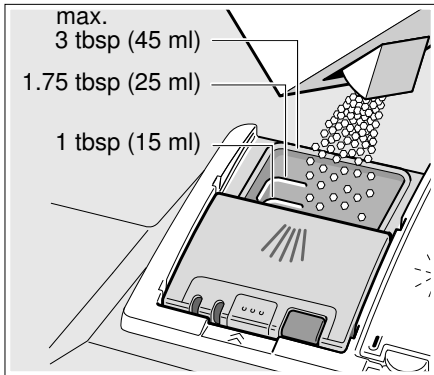
Adding detergent

1. If the detergent dispenser [32] is still closed, actuate the locking bar [33] to open it.

Note: Make sure the detergent dispenser is dry and clear of detergent residue.

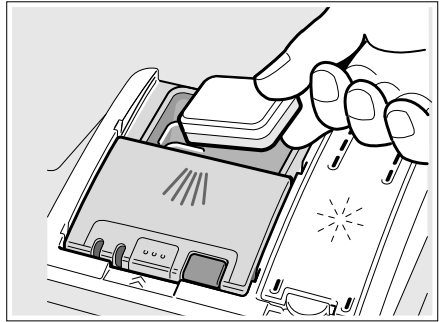


2. Pour detergent into the dry detergent dispenser [32] only. Add detergent. Do not overfill the detergent dispenser.



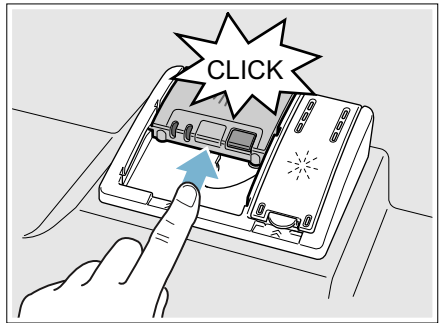
When using detergent tabs, lay them such that they do not come in contact with the cover, insert a detergent tab flat, not on its side.

Note: Do not place detergent tabs or utensils in the detergent tab tray [24]. Place tabs or other detergent forms directly in the detergent dispenser [32].



Dosage: see manufacturer's instructions on the packaging.

3. Close the lid by placing the finger on the lid as shown. Slide the lid closed and press down firmly until it clicks.

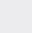


The detergent dispenser will open automatically at the ideal time for the set cycle. The powder or liquid detergent is distributed in the appliance and is dissolved, detergent tabs will fall into the detergent tab tray [24] where it dissolves during the cycle.

Tip: If the dishware is only lightly soiled, slightly less than the indicated amount of detergent is usually adequate.



Dishwasher Cycles

Wash cycle	Recommended use	Possible wash cycle option
Heavy	Best for cleaning items with baked-on food or grease. These dishes would normally require soaking or hand scouring.	all
Auto	Smartest cycle, with most flexible soil sensing, which is ideal for mixed dishware and food soils.	all
Normal (see note at bottom of table)	Recommended for daily, regular or typical use to completely wash a full load of normally soiled dishes.	all Note: In order to obtain optimal performance with minimum energy consumption, it is recommended to disable all available options and settings, except Auto Power Off - set to  → "Auto power off" on page 27
Speed60®	Cleans freshly soiled dishes with easy to remove soils. This cycle reduces cycle time while still including drying.	Delay Extra Dry®
Rinse	Use this cycle if you need to pre-rinse dishes to avoid odors. Place unrinsed dishes inside the dishwasher and select the Rinse cycle. Uses less water than hand rinsing and very low energy.	Delay

Note: The Energy Guide label was based on the **Normal** soil sensing cycle as follows: The unit was tested without any rinse aid (liquid) in the rinse aid dispenser [31]. A single dose of detergent was inserted into the detergent dispenser [32], with no detergent being used in the prewash. The unit was not subjected to truncated testing per the definitions in the test procedure. We recommend that dish loads such as the one in the energy certification test have the rack position set in the highest position.

P+ Dishwasher Cycle Options

Delay

Allows you to delay the start time of your dishwasher up to 24 hours.

Half Load

Can reduce water consumption when washing small, lightly soiled loads that fill approximately half of the dishwasher's capacity.

Wash Cycle Information

To save energy, this dishwasher has EcoSense where the sensors in the dishwasher automatically adjust the cycle length, temperature and water changes based on the amount of food soil and the incoming water temperature. The "Smart Control" makes decisions that can cause the

Sanitize

Increases the temperatures and retains them for an extra long time to obtain a defined disinfecting performance. Continuous use of this function increases the hygiene status. This additional option is ideal for cleaning items such as chopping boards and baby bottles.

Using the Sanitize option may also improve drying. The cycle time and energy usage may be increased.

Extra Dry

Used in combination with a wash cycle (except Rinse), the Extra Dry option raises the temperature and extends the drying time to further enhance drying results and provide a brilliant shine. The energy usage may be increased.

cycle time and water usage to adjust intermittently. **Wash cycle times are based on 120°F (49° C) water supply.** If your household water supply is different than 120°F (49° C), your dishwasher's cycle times may be impacted.

	Heavy	Auto	Normal	Speed60®	Rinse
Cycle time min.	110 - 135	105 - 129	130 - 135	60	9
Water usage gal/L	4.9-6.4/ 18.6-24.2	3.4-6.4/ 12.9-24.1	2.3-5.5/ 8.8-21.0	3.8/ 14.3	1.1/ 4.1
Wash temp. °F/°C	151-160/ 66-71	127-131/ 53-55	113-131/ 45-55	122/ 50	in-coming
Rinse temp. °F/°C	162/ 72	153-162/ 67-72	156/ 69	158/ 70	in-coming

	Heavy	Auto	Normal	Speed60®	Rinse
Half Load					
Cycle time min.	114	90-105	90-99	N/A	N/A
Water usage gal/L	4.7/ 17.9	2.7-4.4/ 10.2-16.5	2.8-3.7/ 10.8-13.9	N/A	N/A
Rinse temp. °F/°C	162/ 72	131-151 55-60	162/ 72	N/A	N/A
Sanitize					
Cycle time min.	130-150	125-150	135-155	N/A	N/A
Water usage gal/L	4.9-6.4/ 18.6-24.2	3.4-6.4/ 12.9-24.1	2.3-5.5/ 8.8-21.0	N/A	N/A
Rinse temp. °F/°C	162/ 72	162/ 72	162/ 72	N/A	N/A
Extra Dry					
Cycle time min.	130-150	125-150	135-155	60	N/A
Water usage gal/L	4.9-6.4/ 18.6-24.2	3.5-6.5/ 13.1-24.5	2.4-5.5/ 8.8-20.8	3.8/ 14.3	N/A
Rinse temp. °F/°C	162/ 72	162/ 72	162/ 72	158/ 60	N/A

Note: Only sanitizing cycles have been designed to meet the requirements of Section 6 of the NSF/ANSI Standard for Residential Equipment for soil removal and sanitization efficacy. There is no intention, either directly or indirectly, to imply that all cycles have passed sanitization performance tests.



Operating the Dishwasher



WARNING

RISK OF INJURY!

To avoid risk of injury, always use caution when opening the door during or following a wash cycle as hot water or steam may escape. Do not fully open the door until water noises have stopped and steam has subsided.

Protection against unintentional operation

Your dishwasher is equipped with a function that helps to prevent unintentional operation (e.g. by children).

After setting the dishwasher, the dishwasher door has to be closed within 4 seconds, otherwise the operation will be paused. There will be a signal on the control panel advising you to press the Start button again and close the door.

This function will be activated when:

- pressing Start to begin a wash cycle
- setting Delay time and pressing Start
- opening the door while Delay time is active
- opening the door during a wash cycle.

Note: This function cannot be deactivated.

Operating the touch buttons

Buttons are sensitive and should be touched gently. Avoid any grease or food particles resting on the buttons as they could activate the dishwasher.

Wiping and cleaning can also activate the dishwasher. For best results, use bare, clean hands when touching the buttons.

To clean the touch buttons wipe them with a dry or slightly damp cloth.

AquaSensor

The AquaSensor is an optical measuring device which measures the cleanliness of the rinse water.

The AquaSensor is used according to the wash cycle. If the AquaSensor is active, “clean” rinse water can be transferred to the next rinse and water consumption can be reduced by 0.8–1.5 gal (3–6 liters). If the rinse water is not yet clear, the water is drained and is replaced with fresh water. In the automatic wash cycles the temperature and running time can also be adjusted to the degree of soiling.

Switching the appliance on

1. Turn the water supply on fully.
2. Press the **On/Off** button **[1]**.
The AUTO wash cycle has been preset as a default whenever the appliance starts. This wash cycle remains selected if no other wash cycle button **[2]** is pressed.
Select any desired option.
3. Press **Start** button **[6]**.
Wash cycle sequence starts.

Note: Your dishwasher is protected against unintentional operation. If the appliance door remains open for more than 4 seconds after pressing the Start button, the operation will be paused. Close the appliance door and press the Start button **[6]** again.

Time display

When a wash cycle is selected the remaining wash cycle time is shown on the display **[3]**.

The wash cycle time is determined during the wash cycle by the water temperature, the amount of dishes, as well as the degree of soiling and may vary (depending on the selected wash cycle).

Delay start

You can delay the start of the cycle in one hour increments up to 24 hours.

h:01 1 hour delay
h:24 24 hours delay

To set Delay start:

1. Press **On/Off** button **[1]**. Select a cycle.
2. Press **Delay** button **[4]** until the displayed time corresponds with your requirements.
3. Press **Start** button **[6]** to activate Delay start.

To cancel Delay start:

1. Press **Delay** button **[4]** until *h:00* is indicated on the digital display **[3]**.
2. Press **Start** button **[6]** to save setting.

Note: Your dishwasher is protected against unintentional operation. If the appliance door remains open for more than 4 seconds after pressing the Start button, the operation will be paused. Close the appliance door and press the Start button **[6]** again.

Wash cycle end

The wash cycle has ended when the display **[3]** reads *0:00*.

Auto power off

This setting determines the length of time the control panel stays illuminated after the cycle is complete. To save energy the recommended setting is *P:01*.

This setting can be adjusted from *P:00* to *P:02*.

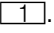
- P:00* dishwasher does not turn off automatically
P:01 dishwasher turns off automatically after 1 minute
P:02 dishwasher turns off automatically after 120 minutes (2 hours)

To change the setting:

1. Press the **On/Off** button **[1]**.
2. Hold down the function key **[A]** and press the **Start** button **[6]** until the display **[3]** indicates *d:0x* (x can be any number).
3. Release both buttons.
4. Press the function key **[A]** until the display **[3]** indicates *P:0x*.
5. Press the function key **[C]** until the display corresponds with your requirements.
6. Press the **Start** button **[6]**.

Switching off the appliance

Short time after the end of the wash cycle:

1. Press **On/Off** button .
2. Turn off water supply.
3. Remove the utensils when they have cooled down.

WARNING

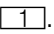
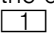
RISK OF INJURY!

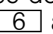
To avoid risk of injury, always use caution when opening the door during or following a wash cycle as hot water or steam may escape. Do not fully open the door until water noises have stopped and steam has subsided.

Interrupting the wash cycle

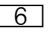
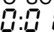
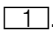
CAUTION

Expansion (overpressure) may cause the appliance door to open and/or water to escape! If the door was opened on an appliance which has a hot water connection or is heated, always leave the door ajar for several minutes and then close.

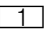
1. Press **On/Off** button .
The LED's go out. The wash cycle is saved.
2. To continue the wash cycle, close the door and press **On/Off** button  again.

Note: Your dishwasher is protected against unintentional operation. If the appliance door remains open for more than 4 seconds after pressing the Start button, the operation will be paused. Close the appliance door and press the Start button  again.

Terminating the wash cycle (Reset)

1. Press and hold **Start** button  for approximately 3 seconds until the display reads .
 2. Wait about 1 minute while the dishwasher drains.
 3. Press **On/Off** button .
- You may now power the dishwasher back on and begin a new cycle if desired.

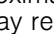
Changing the wash cycle

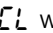
When the **Start** button  has been pressed, the wash cycle cannot be changed. The only way a wash cycle can be changed is by terminating the wash cycle (Reset).

Child Lock (panel lock)

The child lock will lock the panel while the dishwasher is in operation to prevent that a wash cycle is interrupted unintentionally (e.g. by children).

To set the panel lock:

1. Start the desired wash cycle.
2. Hold down the button that says 'Child Lock' underneath it for approximately 3 seconds until the display reads .
The panel lock is active.

 will be indicated now if any button is pressed and the program will not be reset.

To **deactivate** the panel lock hold down the button that says 'Child Lock' underneath it for approximately 3 seconds until the display no longer reads .

The panel lock is deactivated automatically when the wash cycle is completed. In case of a power outage the panel lock will remain active. The panel lock has to be activated with each new wash cycle.

Intensive drying

The final rinse uses a higher temperature which improves the drying result. The cycle time and energy usage may be increased. (Caution if utensils are delicate!)

This feature has two settings:

d:00 Off
d:01 On

1. Press the **On/Off** button **[1]**.
2. Hold down function key **[A]** and press **Start** button **[6]** until the display **[3]** indicates **d:x** (x can be any number).
3. Release both buttons.
4. Press function key **[A]** until the display **[3]** indicates the factory set value **d:00**.
5. Press function key **[C]** to switch the intensive drying feature on **d:01** or off **d:00**.
6. Press **Start** button **[6]** to save setting.



Care and Maintenance

A regular inspection and maintenance of your machine will help to prevent faults. This saves time and prevents future problems.

Overall condition of the dishwasher

NOTICE

- Never use a steam cleaner to clean your dishwasher. The manufacturer is not liable for any resulting damage.
 - Regularly wipe the front of the appliance with a damp cloth - water and a small amount of liquid soap is adequate. Do not use sponges as they could scratch the surfaces.
 - Do not use bleach-based wipes as they could damage the surface or printing.
 - Stainless steel appliances: To prevent corrosion, do not use sponges or chlorine based cleaners. Use a stainless steel polish to seal and protect the surface. Do not use chlorine based cleaners or wipes.
 - Clean the outer edges of the inside door panel regularly to remove debris that may collect from normal loading. If spots begin to appear on the stainless steel, make sure the rinse agent is full and functioning properly.
 - Clean the door seal regularly with a damp cloth to remove food particles that may collect from normal loading and cause odor. A soiled door seal may not seal properly.
-

⚠ WARNING

Use caution when removing parts for cleaning as some debris may be sharp.

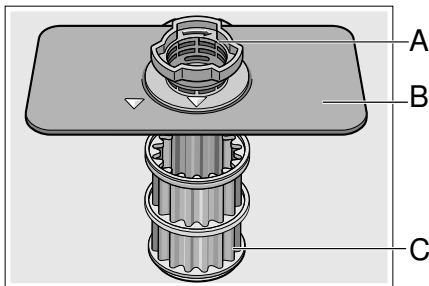
Filters

The Bosch® filter system [28] is designed to prevent the need to pre-rinse normally attached food soils from your dishes. Simply scrape leftover food soils off of dishware before loading. This process will conserve time, water and the energy require to heat your household water supply.

Your dishwasher filter system is designed to filter 100% of the water entering the spray arms to provide a continuous supply of clean water to remove food soils from your dishware.

Filter components

The filter system [28] consists of three parts.



A Large Object Trap

Prevents objects that should not be placed in your dishwasher from damaging the dishwasher pump system or clogging your household drain.

B Flat Fine Filter

Prevents food particles from entering the wash chamber and directs particles toward the micro filter.

C Micro Filter

Directs the smallest of particles to the household plumbing drain.

Cleaning intervals

The filter system [28] is designed to minimize maintenance while providing premium cleaning performance and minimum energy consumption.

Depending on use habits and water hardness, the filter system will require some maintenance to sustain premium cleaning performance.

Your filter system may need to be cleaned when:

- You notice food soils remaining on the filter system or objects trapped in the Large Object Trap.
- A drop in cleaning performance or a gritty film forms on the dishware.

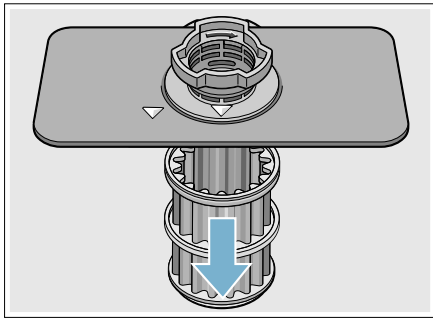
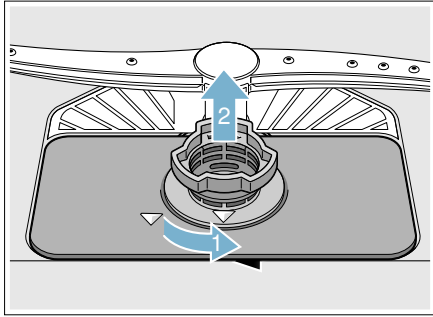
When washing normally attached food soils that have been scraped before loading, in a household that runs the dishwasher every other day, your filter should be cleaned:

Cleaning interval	Use this setting,
3-6 times a year	if you rinse before loading
4-12 times a year	if you only scrape before loading
12 times a year	if you have hard water

Note: Clean the filter after washing loads with large amounts of food soils or loads with a heavy starch content, like potatoes and pasta, to maintain optimal performance.

To check or clean the filter system:

1. Unscrew the Large Object Trap as illustrated and remove the entire filter system.

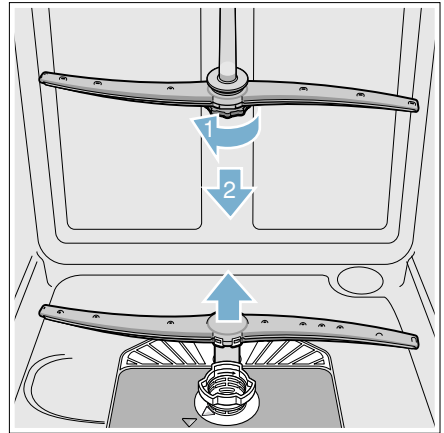


2. Remove any residue and clean filters by rinsing under running water. Note: do not use abrasive brushes or steel wool, etc., as they may damage the filter.
3. Reinstall the filter system in reverse sequence and lock into place by screwing the Large Object Trap until the marking arrows align.

Spray arms

Check spray arms [23], [26] for grease and limescale deposits. If you find such deposits:

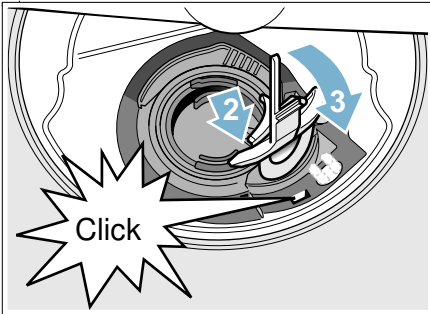
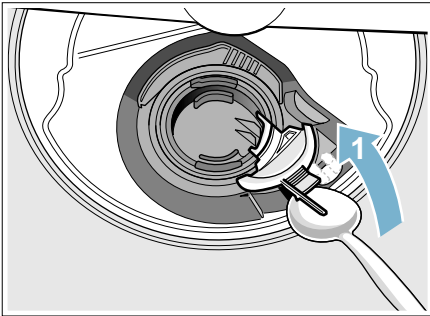
- Fill detergent dispenser [32] with detergent and start the appliance without utensils in the cycle with the highest rinsing temperature. → "Wash Cycle Information" on page 24
- Clean the appliance with detergents/appliance cleaners which are particularly suitable for use with dishwashers.
- Unscrew the upper spray arm [23] and pull off the lower spray [26] arm as shown. Inspect for deposits.



Drain pump

Large food remnants in the rinsing water not retained by the filters may block the waste water pump. In this case:

- Disconnect the appliance from the power supply.
- Remove the filters. → "Filters" on page 30
- Scoop out standing water - use a sponge if necessary.
- Using a spoon, pry off the pump cover until it clicks, then grip the cover and pull upward until it resists and then pull forward.



- Check inner compartment and remove any foreign objects.

▲ WARNING

Use caution when removing parts for cleaning as some debris may be sharp.

- Place cover in the original position, press down and engage.
- Reinstall filters.

Note: The drain pump will not work properly if the drain pump cover is not snapped in completely until it clicks.

Preparing your unit for vacation

NOTICE

Before leaving for vacation during warmer weather, besides turning off the main valve, also turn off water supply at the nearest point to the dishwasher. Do not leave soiled dishware in unit and leave door slightly open. During colder weather, please follow the instructions for winterizing your unit below.

Winterizing your unit

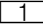
NOTICE

If your dishwasher will be unused for a period of time in a location that experiences freezing temperatures (holiday home or through a vacation period), have your dishwasher winterized by a professional service.

Troubleshooting

Dishwashers may occasionally exhibit problems that are unrelated to a malfunction of the dishwasher itself.

The following information may help you with a dishwasher problem without involving a repair professional.

Problem	Cause	Action
Dishwasher does not start	Door may not be properly latched.	Shut the door completely until you hear a click.
	Dishwasher may not be turned on.	Press the main power switch  to turn dishwasher on.
	Dishwasher not reset or previous cycle not completed.	Reset the dishwasher.
	Delay start engaged.	Reset Delay start.
	Interruption of electrical power supply to dishwasher or blown fuse.	Check circuit breaker.
	The door may have been closed without first selecting a cycle.	Select a cycle and close the door.
	Water supply may not be turned on.	Check and turn on water supply.
Cycle does not resume after door is opened and closed during cycle.	Door is opened longer than 4 seconds after a cycle has started.	Press Start button again to resume cycle.
Display does not illuminate	A fuse may have been blown or circuit breaker tripped.	Check the fuse or circuit breaker box and replace the fuse or reset the breaker if necessary.
	Door not closed or latched. Note: For models with controls on top of the door, the display only illuminates when the door is opened and controls are visible.	Ensure door is properly latched and completely closed.

en-us Troubleshooting

Dishwasher seems to run a long time	Incoming water is not warm enough.	Before starting a cycle, run hot water faucet at the sink closest to the dishwasher.
	Cycle time can vary due to soil and water conditions.	Sensors in the dishwasher automatically increase the cycle time to ensure a good wash when heavy soil is detected.
	Rinse aid dispenser [31] is empty, or rinse aid setting has been set to "0".	Add rinse aid, or change rinse aid setting.
	Dishwasher connected to cold water supply. Note: Check the typical wash cycle length. → "Wash Cycle Information" on page 24	Verify dishwasher is connected to hot water supply plumbing.
Dishes are not getting clean enough	Spray arm movement obstructed.	Ensure that spray arm movement is not blocked by hand rotating spray arms [23], [26] before starting cycle.
	Spray arm nozzles clogged.	Remove spray arms [23], [26] and clean them. → "Spray arms" on page 31
	Improper use of detergents.	Increase or decrease detergent depending on the water hardness.
	Filters [28] could be clogged.	Clean the filters [28]. → "Filter components" on page 30
	Dishes are nested or loaded too closely together.	Rearrange load such that water spray can reach all items in the dishwasher. → "Loading the Dishwasher" on page 13
	Selected wash cycle is not suitable for food soil conditions.	Refer to Wash Cycle Information. → "Wash Cycle Information" on page 24
Streaks on glassware or residue on the dishes	Incorrect rinse aid setting.	Depending on the hardness of water, adjust the rinse agent dispenser [31]. → "Rinse Aid" on page 12
Dishes are not getting dry enough Note: Plastic or Teflon do not typically dry as well as other items due to their inherent properties.	Rinse aid dispenser [31] is empty or incorrect rinse aid amount is set.	Add rinse aid or adjust setting - the use of rinse agent improves drying, use the Auto cycle, use the Sanitize option.
	Improper loading of dishes.	Rearrange load to ensure items are not nesting. → "Loading the Dishwasher" on page 13 Note: Select models offer an extra heating option to improve drying performance.

<p>Odor</p> <p>Note: Water testing is done in the factory. Occasionally water may still appear in dishwasher at purchase which may create an odor.</p>	<p>Food debris is present at the bottom of the dishwasher.</p>	<p>Remove the filters and clean them. → <i>"Care and Maintenance" on page 29</i></p>
	<p>Food particles are present near the door seal.</p>	<p>→ <i>"Care and Maintenance" on page 29</i></p>
	<p>Residual water is present at the bottom of the dishwasher.</p>	<p>Ensure the dishwasher has completely drained from the last cycle.</p>
	<p>Drain hose is obstructed.</p>	<p>Remove any obstructions from the drain hose by calling qualified personnel. Note: If odor still persists, run the Normal/Regular cycle until it flushes and interrupt the cycle and place an 8 oz. cup of distilled white vinegar solution on the upper rack and then finish the cycle.</p>
<p>Dishwasher not filling with water or "Check water supply" display lights up</p>	<p>Restriction in the water supply system.</p>	<p>Ensure that the water supply valve (typically located under kitchen sink) is open and check that the water supply line has no kinks or clogs.</p>
	<p>Previous wash cycle was not completed.</p>	<p>→ <i>"Operating the Dishwasher" on page 26</i></p>
	<p>Delay start is active.</p>	<p>Cancel the delay start or wait until delay start time completes.</p>
	<p>Household water supply turned off.</p>	<p>Turn on water supply.</p>
<p>Fascia panel discolored or marked</p>	<p>Abrasive cleaner used.</p>	<p>Use mild detergents with soft damp cloth.</p>
<p>Noise during wash cycle</p>	<p>Dishes may not be arranged properly.</p>	<p>Water circulation sound is normal, but if you suspect items are banging into each other or into the spray arms, check optimal arrangement of dishes. → <i>"Loading the Dishwasher" on page 13</i></p>
<p>Water leaks</p>	<p>Suds.</p>	<p>Using wrong type of detergent or overfilling the rinse aid dispenser results in suds and leaks - use only dishwasher detergents. If suds still persist, add one tablespoon of vegetable oil at the bottom of the dishwasher and run the desired cycle.</p>
	<p>Door seal could be pulled away from track.</p>	<p>Ensure the door seal is in the track.</p>
	<p>Condensation vent is blocked.</p>	<p>Ensure that condensation vent is not blocked.</p>
	<p>Improper installation.</p>	<p>Have proper installation verified by qualified personnel (water supply, drain system, leveling, plumbing).</p>

en-us Troubleshooting

Tub stains	Stains on the dishwasher interior are due to water hardness.	Concentrated lemon juice can reduce the build-up of hard water stains. Run Normal/Regular cycle until it flushes and interrupt the cycle and then place an 8 oz. cup of the concentrated lemon solution on the upper rack and finish the cycle. This can be done periodically to avoid build-up.
	Silverware in contact with tub.	Ensure that silverware does not make contact with the tub while running a cycle.
Detergent dispenser cover will not shut	Improper operation of detergent cover.	For instructions on opening and closing the dispenser → <i>"Detergent" on page 21</i>
	Previous cycle was not finished or interrupted.	→ <i>"Operating the Dishwasher" on page 26</i>
Unable to select desired cycle	Previous cycle not finished.	→ <i>"Operating the Dishwasher" on page 26</i>



Customer Service

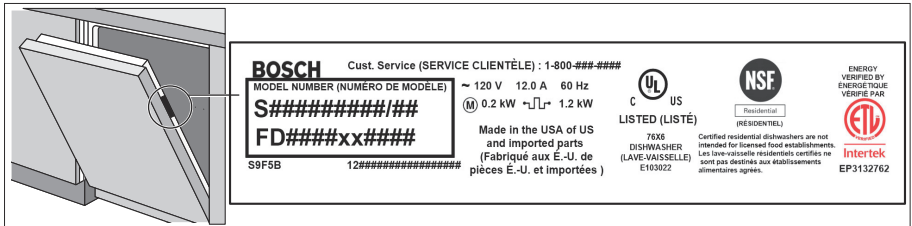
Your Bosch® dishwasher requires no special care other than that described in the Care and Maintenance section of this manual. If you are having a problem with your dishwasher, before calling for service please refer to the Troubleshooting Guide section of the manual. If service is necessary, contact your dealer or installer or an authorized service center. Do not attempt to repair the appliance yourself. Any work performed by unauthorized personnel may void the warranty.

If you are having a problem with your Bosch® dishwasher and are not pleased with the service you have received, please take the following steps until the problem is corrected to your satisfaction:

1. Call us at 1-800-944-2904
2. Contact Customer Service from our web site:
www.bosch-home.com/us or **www.bosch-home.ca**
3. Contact your installer or the Bosch Authorized Service Contractor in your area.
4. Write us:

BSH Home Appliances Corporation
1901 Main Street
Irvine, CA 92614

Please be sure to include your model information as well as an explanation of the problem and the date it started. You will find the model and serial number information on the label located on the edge of the dishwasher door. Please make a copy of your invoice and keep it with this manual. The customer may be required to show proof of purchase to validate warranty coverage.





Statement of Limited Product Warranty

What this Warranty Covers & Who it Applies to:

The limited warranty provided by BSH Home Appliances Corporation (BSH) in this Statement of Limited Product Warranty applies only to Bosch® dishwashers (“Product”) sold to you, the first using purchaser, provided that the Product was purchased:

- for your normal, household (non-commercial) use, and has in fact at all times only been used for normal household purposes;
- new at retail (not a display, “as is”, or previously returned model), and not for resale, or commercial use; and
- within the United States or Canada, and has at all times remained within the country of original purchase. The warranties stated herein apply only to the first purchaser of the Product and are not transferable.

Please make sure to return your registration card; while not necessary to effectuate warranty coverage, it is the best way for BSH to notify you in the unlikely event of a safety notice or product recall.

How Long the Warranty Lasts

BSH warrants that the Product is free from defects in materials and workmanship for a period of three hundred sixty five (365) days from the date of purchase. The foregoing timeline begins to run upon the date of purchase, and shall not be stalled, tolled, extended, or suspended, for any reason whatsoever.

This Product is also warranted to be free from **cosmetic** defects in material and workmanship (such as scratches of stainless steel, paint/porcelain blemishes, chip, dents, or other damage to the finish of the Product), for a period of thirty (30) days from the date of purchase or closing date for new construction. This **cosmetic** warranty excludes slight color variations due to inherent differences in painted and porcelain parts, as well as differences caused by kitchen lighting, product location, or other similar factors. This **cosmetic** warranty specifically excludes any display, floor, “As Is”, or “B” stock appliances.

Extended Limited Warranty

BSH also provides these additional limited warranties:

- 5 year limited warranty on electronics: BSH will repair or replace any BSH microprocessor or printed circuit board if it proves to be defective in materials or workmanship (excludes labor charges).
- 5 year limited warranty on dish racks: BSH will replace the upper or lower dish rack (excluding rack components), if the rack proves defective in materials or workmanship (excludes labor charges).
- Lifetime warranty against stainless steel rust through: BSH will repair or replace your dishwasher with the same model or a current model that is substantially equivalent or better in functionality, if the inner liner should rust through (excludes labor charges).
- BSH will repair or replace the stainless steel door if the door should rust through (excludes labor charges).

Repair/Replace as Your Exclusive Remedy

During this warranty period, BSH or one of its authorized service providers will repair your Product without charge to you (subject to certain limitations stated herein) if your Product proves to have been manufactured with a defect in materials or workmanship. If reasonable attempts to repair the Product have been made without success, then BSH will replace your Product (upgraded models may be available to you, in the sole discretion of BSH, for an additional charge). All removed parts and components shall become the property of BSH at its sole option. All replaced and/or repaired parts shall assume the identity of the original part for purposes of this warranty and this warranty shall not be extended with respect to such parts. BSH's sole liability and responsibility hereunder is to repair manufacturer-defective Product only, using a BSH-authorized service provider during normal business hours. For safety and property damage concerns, BSH highly recommends that you do not attempt to repair the Product yourself, or use an unauthorized servicer; BSH will have no responsibility or liability for repairs or work performed by a non-authorized servicer. If you choose to have someone other than an authorized service provider work on your Product, **THIS WARRANTY WILL AUTOMATICALLY BECOME NULL AND VOID.** Authorized service providers are those persons or companies that have been specially trained on BSH products, and who possess, in the opinion of BSH, a superior reputation for customer service and technical ability (note that they are independent entities and are not agents, partners,

affiliates or representatives of BSH). Notwithstanding the foregoing, BSH will not incur any liability, or have responsibility, for the Product if it is located in a remote area (more than 100 miles from an authorized service provider) or is reasonably inaccessible, hazardous, threatening, or treacherous locale, surroundings, or environment; in any such event, if you request, BSH would still pay for labor and parts and ship the parts to the nearest authorized service provider, but you would still be fully liable and responsible for any travel time or other special charges by the service company, assuming they agree to make the service call.

Out of Warranty Product

BSH is under no obligation, at law or otherwise, to provide you with any concessions, including repairs, pro-rates, or Product replacement, once this warranty has expired.

Warranty Exclusions

The warranty coverage described herein excludes all defects or damage that are not the direct fault of BSH, including without limitation, one or more of the following:

- Use of the Product in anything other than its normal, customary and intended manner (including without limitation, any form of commercial use, use or storage of an indoor product outdoors, use of the Product in conjunction with air or water-going vessels);

en-us Statement of Limited Product Warranty

- Any party's willful misconduct, negligence, misuse, abuse, accidents, neglect, improper operation, failure to maintain, improper or negligent installation, tampering, failure to follow operating instructions, mishandling, unauthorized service (including self-performed "fixing" or exploration of the appliance's internal workings);
- Adjustment, alteration or modification of any kind;
- A failure to comply with any applicable state, local, city, or county electrical, plumbing and/or building codes, regulations, or laws, including failure to install the product in strict conformity with local fire and building codes and regulations;
- Ordinary wear and tear, spills of food, liquid, grease accumulations, or other substances that accumulate on, in, or around the Product;
- Any external, elemental and/or environmental forces and factors, including without limitation, rain, wind, sand, floods, fires, mud slides, freezing temperatures, excessive moisture or extended exposure to humidity, lightning, power surges, structural failures surrounding the appliance, and acts of God.

In no event shall BSH have any liability or responsibility whatsoever for damage to surrounding property, including cabinetry, floors, ceilings, and other structures or objects around the Product. Also excluded from this warranty are Products on which the serial numbers have been altered, defaced, or removed; service visits to teach you how to use the Product, or visits where there is nothing wrong with the Product; correction of installation problems (you are solely responsible for any structure and setting for the Product,

including all electrical, plumbing or other connecting facilities, for proper foundation/flooring, and for any alterations including without limitation cabinetry, walls, floors, shelving, etc.); and resetting of breakers or fuses.

TO THE EXTENT ALLOWED BY LAW, THIS WARRANTY SETS OUT YOUR EXCLUSIVE REMEDIES WITH RESPECT TO PRODUCT, WHETHER THE CLAIM ARISES IN CONTRACT OR TORT (INCLUDING STRICT LIABILITY, OR NEGLIGENCE) OR OTHERWISE. THIS WARRANTY IS IN LIEU OF ALL OTHER WARRANTIES, WHETHER EXPRESS OR IMPLIED. ANY WARRANTY IMPLIED BY LAW, WHETHER FOR MERCHANTABILITY OR FITNESS FOR A PARTICULAR PURPOSE, OR OTHERWISE, SHALL BE EFFECTIVE ONLY FOR THE PERIOD THAT THIS EXPRESS LIMITED WARRANTY IS EFFECTIVE. IN NO EVENT WILL THE MANUFACTURER BE LIABLE FOR CONSEQUENTIAL, SPECIAL, INCIDENTAL, INDIRECT, "BUSINESS LOSS", AND/OR PUNITIVE DAMAGES, LOSSES, OR EXPENSES, INCLUDING WITHOUT LIMITATION TIME AWAY FROM WORK, HOTELS AND/OR RESTAURANT MEALS, REMODELLING EXPENSES IN EXCESS OF DIRECT DAMAGES WHICH ARE DEFINITELY CAUSED EXCLUSIVELY BY BSH, OR OTHERWISE. SOME STATES DO NOT ALLOW THE EXCLUSION OR LIMITATION OF INCIDENTAL OR CONSEQUENTIAL DAMAGES, AND SOME STATES DO NOT ALLOW LIMITATIONS ON HOW LONG AN IMPLIED WARRANTY LASTS, SO THE ABOVE LIMITATIONS MAY NOT APPLY TO YOU. THIS WARRANTY GIVES YOU SPECIFIC LEGAL RIGHTS, AND YOU MAY ALSO HAVE OTHER RIGHTS WHICH VARY FROM STATE TO STATE. No attempt to alter, modify or amend this warranty

shall be effective unless authorized in writing by an officer of BSH Home Appliances Corporation.

How to Obtain Warranty Service

TO OBTAIN WARRANTY SERVICE FOR YOUR PRODUCT, YOU SHOULD CONTACT THE NEAREST BSH AUTHORIZED SERVICE CENTER, OR CALL 1-800-944-2904

Table des matières

	Indications de sécurité	44
	CONSIGNES DE SÉCURITÉ IMPORTANTES	45
	Causes de pannes	49
	Mise en marche	50
	Produit de rinçage	52
	Chargement du lave-vaisselle.	54
	Détergent	62
	Cycles du lave-vaisselle	64
	Options de cycles du lave-vaisselle.	65
	Mise en marche du lave-vaisselle.	68
	Entretien et maintenance	72
	Dépannage.	77
	Service à la clientèle.	81
	Déclaration de la garantie limitée du produit	82

Cher client,

Merci d'avoir choisi un lave-vaisselle Bosch®. Vous êtes maintenant l'un des nombreux consommateurs qui exigent de leur lave-vaisselle un fonctionnement silencieux et un rendement élevé.

Ce manuel a été rédigé en prenant en compte votre sécurité et votre entière satisfaction, et les informations qu'il contient sont d'une importance capitale. Nous vous recommandons vivement de le lire avant la première utilisation de ce lave-vaisselle.

Pour plus d'informations sur votre lave-vaisselle, les accessoires disponibles, et d'autres équipements Bosch de haute qualité, consultez notre site. Internet à l'adresse :

www.bosch-home.com/us (E.-U.)

ou

www.bosch-home.ca (Canada)

Une fois à cette page, n'oubliez pas d'enregistrer votre nouveau lave-vaisselle en cliquant sur l'onglet « Assistance » ou en remplissant la fiche d'enregistrement du produit envoyée avec votre nouvel appareil.

Si vous avez d'autres questions ou des commentaires, veuillez nous contacter en appelant au :

1-800-944-2904

ou en nous écrivant à l'adresse :

BSH Home Appliances Corporation
1901 Main Street, Suite 600
Irvine, CA 92614



Indications de sécurité



AVERTISSEMENT

Ceci indique des risques de blessures graves ou mortelles en cas de non-respect de cette mise en garde.



ATTENTION

Ceci indique des risques de blessures mineures ou de gravité moyenne en cas de non-respect de cette mise en garde.

AVIS

Ceci indique un risque d'endommagement de l'appareil ou de biens en cas de non respect de ces consignes.

Remarque : Ceci vous signale des informations et/ou indications importantes.

CONSIGNES DE SÉCURITÉ IMPORTANTES

LISEZ ET CONSERVEZ CES INSTRUCTIONS

Ce lave-vaisselle est livré avec des instructions de montage et ce Manuel d'utilisation et d'entretien. Lisez et assurez-vous d'avoir bien assimilé toutes les instructions avant d'utiliser le lave-vaisselle.

Ce lave-vaisselle est conçu pour une utilisation jusqu'à une altitude de 13 000 pieds (4000 m) au-dessus du niveau de la mer.

Pour réduire le risque d'incendie, de choc électrique, ou de blessures graves, respectez les consignes suivantes :

AVERTISSEMENT

RISQUE DE BLESSURE OU DE DÉCÈS !

La mauvaise utilisation du lave-vaisselle peut causer des blessures graves ou mortelles. Évitez d'utiliser le lave-vaisselle d'une manière non conforme aux directives énoncées dans ce manuel ou à d'autres fins que celles énoncées dans les pages suivantes.

AVERTISSEMENT

RISQUE DE BLESSURES !
La réparation de l'appareil par des techniciens d'entretien non qualifiés ou l'utilisation de pièces de rechange non originales peuvent causer des blessures graves ou endommager l'équipement. Tous les travaux de réparation doivent être effectués par un technicien d'entretien qualifié utilisant uniquement des pièces de rechange d'origine.

AVERTISSEMENT

RISQUE DE CHOC ÉLECTRIQUE OU D'INCENDIE !
Un choc électrique ou un incendie peut survenir si l'alimentation électrique du lave-vaisselle décrit dans le présent manuel est mal installée ou s'il n'est pas correctement mis à la terre. Le lave-vaisselle décrit dans ce manuel ne doit pas être utilisé à moins d'être certain de la bonne installation de l'alimentation électrique et de la mise à la terre correcte du lave-vaisselle.

AVERTISSEMENT

RISQUE POUR LA SANTÉ !
N'utilisez jamais des produits chimiques agressifs pour nettoyer votre lave-vaisselle. Certains produits contenant du chlore peuvent endommager le lave-vaisselle et présenter des risques pour la santé!

CONSIGNES DE SÉCURITÉ IMPORTANTES

LISEZ ET CONSERVEZ CES INSTRUCTIONS

INSTRUCTIONS DE MISE À LA TERRE

Cet équipement doit être mis à la terre au niveau d'un système de câblage permanent en métal, ou un conducteur de mise à la masse d'équipement doit être intégré aux conducteurs d'alimentation et connecté au terminal de mise à la masse de l'équipement ou à la broche de raccordement du lave-vaisselle. Voir la rubrique Instructions de montage fournie pour avoir plus d'informations sur les exigences électriques.

AVERTISSEMENT

RISQUE DE CHOC ÉLECTRIQUE !

Cet appareil doit être mis à la terre. En cas de dysfonctionnement, la mise à la terre réduira le risque de choc électrique en fournissant une voie de moindre résistance au courant électrique. Cet appareil est équipé d'un câble disposant d'un conducteur de mise à la terre.

La mauvaise connexion du conducteur de mise à la terre peut provoquer un risque de choc électrique. En présence d'un électricien qualifié, vérifiez, en cas de doute, si l'appareil est correctement mis à la terre.

Fonctionnement normal

Utilisez ce lave-vaisselle uniquement aux fins spécifiées, notamment le lavage de vaisselle et d'ustensiles de cuisine indiqués comme lavables au lave-vaisselle.

Utilisez uniquement des détergents ou des produits de rinçage recommandés pour un lave-vaisselle, puis tenez-les hors de la portée des enfants.

ATTENTION

Lors du chargement de vaisselle à laver :

- identifiez les objets tranchants pour éviter qu'ils n'endommagent le joint de la porte.
 - les couteaux et autres ustensiles tranchants doivent être placés debout, les **POIGNÉES EN HAUT**, afin de réduire le risque de coupures.
 - ne lavez pas les objets en plastique, sauf s'ils portent l'inscription « lavable au lave-vaisselle » ou une indication équivalente. Pour les objets en plastique ne portant pas cette indication, consultez les recommandations de leurs fabricants respectifs.
 - évitez de mettre votre lave-vaisselle en marche à moins que tous les panneaux ne soient en place.
 - ne touchez pas ou ne passez pas outre les commandes et verrouillages.
-

Évitez de vous asseoir, de vous appuyer ou d'utiliser de manière

CONSIGNES DE SÉCURITÉ IMPORTANTES

LISEZ ET CONSERVEZ CES INSTRUCTIONS

abusive la porte ou les paniers à vaisselle du lave-vaisselle.

AVERTISSEMENT

RISQUE DE BLESSURES !
Pour éviter des risques de blessures, faites toujours attention lorsque vous ouvrez la porte pendant ou après un cycle de lavage car des rejets d'eau chaude ou de vapeur peuvent survenir. N'ouvrez pas complètement la porte avant que les bruits d'eau n'aient cessés et que la vapeur ne soit dissipée.

Les lave-vaisselle domestiques certifiés NSF/ANSI 184 ne sont pas destinés aux établissements de services alimentaires agréés.

Sécurité pour enfants

Pour réduire le risque de blessure, interdisez aux enfants de jouer dans ou sur le lave-vaisselle.

À l'âge adulte leur permettant d'utiliser la machine, les enfants sont sous la responsabilité de leurs parents/tuteurs légaux qui doivent s'assurer qu'ils sont suffisamment instruits sur les bonnes pratiques par des personnes qualifiées.

Entretien et maintenance corrects

AVERTISSEMENT

RISQUE D'EXPLOSION !
Sous certaines conditions, de l'hydrogène gazeux peut se créer dans un système d'eau chaude inutilisé pendant deux semaines ou plus. L'hydrogène gazeux est de nature explosive. Avant d'utiliser un lave-vaisselle connecté à un système d'eau chaude inutilisé pendant deux semaines ou plus, ouvrez tous les robinets d'eau chaude et laissez l'eau s'écouler pendant plusieurs minutes. Tout l'hydrogène gazeux accumulé sera ainsi évacué. Compte tenu de la nature explosive du gaz, évitez de fumer ou d'utiliser des flammes nues à ce moment.

Retirez la porte du lave-vaisselle menant au compartiment de nettoyage lors du retrait d'un ancien lave-vaisselle dans le cadre de l'entretien ou de la mise au rebut.

Pour éviter d'endommager le plancher et la propagation des moisissures, les alentours et le dessous du lave-vaisselle ne doivent pas rester humides.

Afin de ne pas endommager le lave-vaisselle, évitez de laisser l'eau pénétrer dans les systèmes de votre appareil pendant de longues périodes à des températures de gel. Par temps de gel, la vanne de remplissage d'eau ainsi que d'autres composants de votre lave-vaisselle peuvent s'endommager.

CONSIGNES DE SÉCURITÉ IMPORTANTES

LISEZ ET CONSERVEZ CES INSTRUCTIONS

AVIS

Il est vivement recommandé à l'utilisateur final de se familiariser avec les procédures d'arrêt de l'alimentation en eau ainsi qu'avec les procédures d'arrêt de l'alimentation électrique entrante. Consultez les instructions de montage ou contactez votre installateur pour de plus amples informations.

AVERTISSEMENT

MISES EN GARDE
CONFORMÉMENT À LA
PROPOSITION 65 DE L'ÉTAT
DE CALIFORNIE !

Ce produit contient un ou plusieurs produit(s) chimique(s) réputé(s) par l'État de Californie comme causant le cancer, des anomalies congénitales ou d'autres dommages à l'appareil reproducteur.



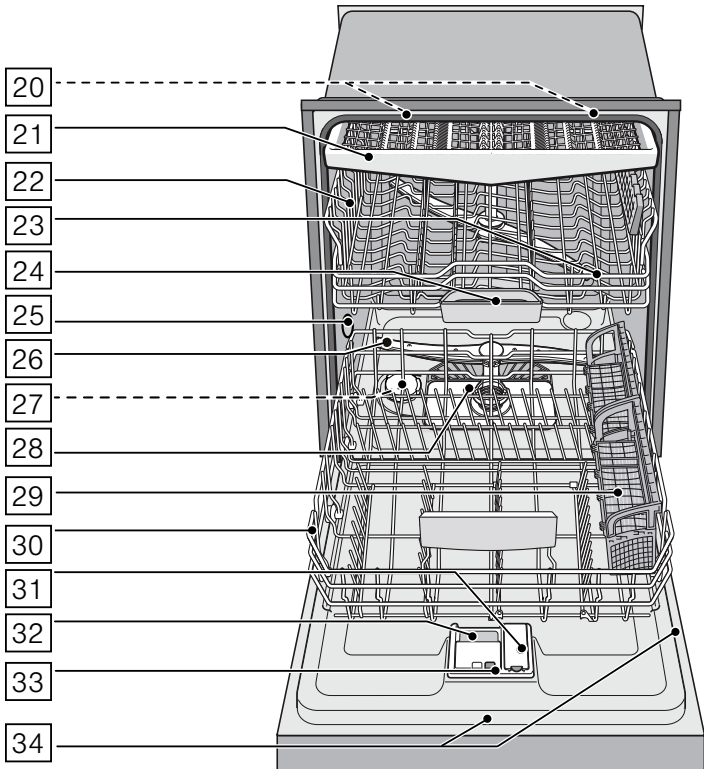
Causes de pannes

AVIS

- N'utilisez jamais de nettoyeurs à vapeur pour laver votre lave-vaisselle. Le fabricant n'est pas responsable des dommages ou des conséquences éventuels.
 - Les lingettes à base d'eau de javel peuvent entraîner la rouille des réservoirs et des portes en acier inoxydable.
 - L'utilisation de produits chimiques acides (p. ex. javel), de nettoyeurs abrasifs, de tampons à récurer (métalliques ou plastiques) ou d'éponges/essuie-tout abrasifs peut endommager le panneau de porte extérieure, le panneau avant et les boutons de votre lave-vaisselle.
 - Afin de ne pas endommager le lave-vaisselle, n'y chargez pas d'objets en papier, de sacs en plastique, de matériaux d'emballage ou tout article autre qu'un article normal, de la vaisselle ou des ustensiles de cuisine lavables au lave-vaisselle.
-

Mise en marche

Vue d'ensemble de l'appareil



Les lignes pointillées indiquent des fonctions facultatives qui pourraient

éventuellement être comprises avec votre lave-vaisselle.

Les numéros mentionnés ci-dessous font référence aux images d'aperçu sur la page précédente du présent manuel.

Panneau de commande

- 1 Bouton On/Off (Marche/Arrêt)
- 2 Cycles de nettoyage
- 3 Affichage digital
- 4 Départ différé
- 5 Options de cycle de nettoyage
- 6 Bouton Démarrer

Composants internes du lave-vaisselle

- 20 Éclairage intérieur *
- 21 Troisième panier
- 22 Panier à vaisselle supérieur
- 23 Bras d'aspersion supérieur
- 24 Coupelle interceptrice des pastilles
- 25 Orifice de ventilation
- 26 Bras d'aspersion inférieur
- 27 Réservoir de sel spécial*

- 28 Filtres
- 29 Panier à couverts
- 30 Panier à vaisselle inférieur
- 31 Réservoir de liquide de rinçage
- 32 Compartiment à détergent
- 33 Verrou de fermeture du compartiment à détergent
- 34 Plaque signalétique

* option facultative qui peut être ou ne pas être incluse avec votre lave-vaisselle.

Indicateurs

0:00	Temps de cycle restant
Clean (nettoyer)	S'allume lorsque la vaisselle est propre
Sanitize (désinfecter)	S'allume lorsque les exigences en matière de désinfection sont remplies
Add Rinse Aid (Ajoutez le produit de rinçage)	S'allume lorsque la quantité de produit de rinçage est faible

Réglages

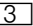
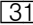
Le lave-vaisselle a été configuré avec certains réglages pour votre confort. Il est possible de modifier ces réglages usine.

Utilisez les touches de fonction A, B et C pour modifier ces valeurs.

Réglage	Réglages d'usine	Description
<i>r</i> Produit de rinçage <i>r:00 - r:06</i>	<i>r:05</i>	La quantité de produit de rinçage utilisée affecte le séchage. Sélectionnez 0 si vous utilisez des comprimés tout-en-un.
<i>d</i> Séchage intensif <i>d:00 - d:01</i>	<i>d:00 / Off</i> (Arrêt)	Séchage amélioré pour les verres et la vaisselle en plastique.
<i>P</i> Auto power off <i>P:00 - P:02</i>	<i>P:01</i>	Le lave-vaisselle s'arrête automatiquement à la fin du cycle de lavage.


Produit de rinçage


Pour un séchage optimal, utilisez toujours un produit de rinçage liquide, même si votre détergent contient un produit de rinçage ou des additifs de séchage.

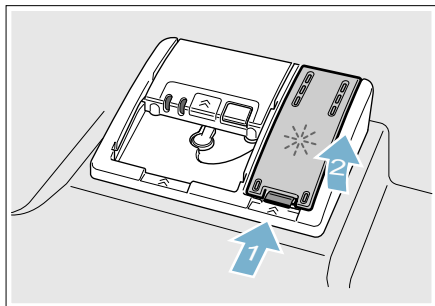
Remarque : Le lave-vaisselle signale une faible quantité de produit de rinçage lorsque l'indicateur Recharger produit de rinçage  est activé. Si cet indicateur s'allume, vous devez recharger le distributeur de produit de rinçage  dans le respect des instructions suivantes.

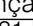
Ajout de produit de rinçage

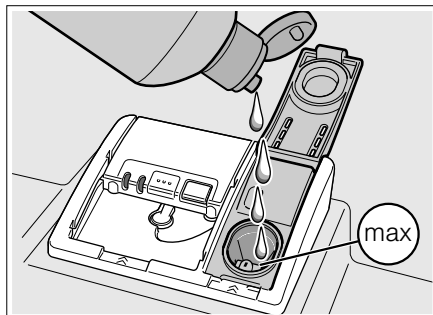
AVIS

Pour éviter l'excès de mousse ou l'engorgement, ne remplissez pas le distributeur de produit de rinçage . Essayez les déversements à l'aide d'un chiffon humide.

1. Ouvrez le distributeur de liquide de rinçage  en appuyant sur le loquet du couvercle et en tirant celui-ci.




2. Ajoutez le produit de rinçage liquide au distributeur  à pleine capacité. Ne le remplissez pas outre mesure.



3. Fermez le couvercle. Le couvercle doit être hermétiquement fermé jusqu'à l'encliquetage du loquet, pour garantir son étanchéité.
4. Essayez tout excédent de produit de nettoyage déversé lorsque le réservoir est plein.

Le témoins lumineux s'éteindra peu après la fermeture de la porte du lave-vaisselle.

AVIS

Ne pas remplir le distributeur de rinçage auxiliaire  avec de la lessive. Sinon, vous pourriez endommager le lave-vaisselle.

Réglage de la quantité de produit de rinçage utilisé

La quantité de produit de rinçage distribuée peut être définie dans la plage de $r:00$ à $r:06$. Le paramètre d'usine est $r:05$.

Tout changement de paramètre doit se faire uniquement si les plats présentent des traces (diminuer la quantité), ou si les plats ne sèchent pas complètement (augmenter la quantité).

Paramètre	Quantité
$r:00$	le distributeur est en ARRÊT
$r:01$	valeur minimale
$r:02$	valeur faible
$r:03$	valeur moyenne
$r:04$	valeur moyenne/élevée
$r:05$	valeur élevée
$r:06$	valeur maximale

1. Appuyez sur le bouton **On/Off** (Marche/Arrêt) $\square 1$.
2. Maintenez la touche enfoncée $\square A$ et appuyez sur le bouton **Start** (Démarrer) $\square 6$ jusqu'à ce que l'afficheur $\square 3$ indique $d:0x$ (x peut être un nombre quelconque). Relâchez les deux boutons.
3. Appuyez sur la touche de fonction $\square A$ jusqu'à ce que l'afficheur $\square 3$ indique $r:05$.
4. Appuyez sur la touche de fonction $\square C$ pour sélectionner la valeur désirée.
5. Appuyez sur le bouton **Start** (Démarrer) $\square 6$ pour enregistrer le paramètre.

Désactivation de l'indicateur de produit de rinçage

Procédez comme décrit dans la section « Réglage de la quantité de produit de rinçage utilisée » et réglez la valeur à $r:00$. L'indicateur de produit de rinçage est maintenant désactivé.

AVIS

En utilisant aucun produit de rinçage ou le réglage du distributeur à $r:00$ peut conduire à des durées de cycle plus longues, ce qui consommera plus d'énergie et plus d'eau. Les températures plus élevées et des durées de cycle plus longues peuvent endommager la porcelaine fine ou la verrerie.



Chargement du lave-vaisselle

Matériaux lavables au lave-vaisselle

Remarque : Avant la première utilisation de votre lave-vaisselle, vérifiez les informations énoncées dans la présente rubrique. Certains objets ne peuvent pas être lavés au lave-vaisselle et doivent l'être à la main ; d'autres doivent être chargés de manière spéciale.

Recommandé

Aluminium	L'aluminium anodisé et coloré peut se décolorer au fil du temps. Les minéraux présents dans l'eau peuvent ternir ou tacher l'aluminium. En général, ils sont éliminés à l'aide d'un tampon en laine d'acier imbibé de savon.
Porcelaine chinoise, cristal, grès	Certains ustensiles peints à la main peuvent se décolorer ou se tacher. Lavez ces ustensiles à la main. Positionnez la verrerie fragile de manière à ce qu'elle ne bascule pas ou n'entre pas en contact avec d'autres ustensiles au cours du cycle de nettoyage.
Verre	Le verre de lait peut se décolorer ou jaunir.
Revêtements anti-adhésifs	Appliquez une légère couche d'huile végétale aux surfaces anti-adhésives après séchage.

Recommandé

Plastiques	Assurez-vous que les articles plastiques sont lavables au lave-vaisselle.
Acier inoxydable, argent sterling et métal argenté	Chargez ces objets de manière à ce qu'ils n'entrent pas en contact avec d'autres métaux, les parois de la cuve du lave-vaisselle en acier inoxydable ou la porte intérieure.

Non recommandé

Acrylique	Des craquelures ou de petites fissures peuvent survenir sur l'acrylique.
Pièces assemblées par un adhésif	Les adhésifs permettant d'assembler des matériaux comme le plastique, le bois, l'os, l'acier, le cuivre, l'étain, etc. peuvent perdre en adhérence.
Ustensiles à poignée en os	Les poignées peuvent se séparer.
Fer	Le fer va rouiller. Lavez à la main et séchez immédiatement.
Articles autres que la vaisselle	Votre lave-vaisselle est destiné au nettoyage de vaisselle et d'articles de cuisine standards UNIQUEMENT.
Potin, laiton, bronze	Ces articles terniront. Lavez à la main et séchez immédiatement.
Étain	L'étain peut se tacher. Lavez à la main et séchez immédiatement.
Bois	Les bols et ustensiles en bois, ainsi que les ustensiles dotés de poignées en bois peuvent se fissurer, se déformer et perdre de leur éclat.

Chargement des paniers

Pour obtenir les meilleurs résultats, respectez les instructions suivantes lors du chargement de la vaisselle :

- Les articles avec de légères incrustations de résidus alimentaires ne doivent pas être pré-lavés.
- Retirez toutes les particules d'aliments, os, cure-dents et excès de graisse.
- Pré-lavez les articles souillés par les matières brûlées, cuites ou féculentes.
- Chargez les plats dans les paniers du lave-vaisselle de telle sorte que les parois internes des bols, chaudrons et casseroles font face aux bras gicleurs.
- Évitez l'emboîtement et les points de contact entre les plats.
- Séparez les objets à base de métaux différents. Veillez à ne pas bloquer les bras gicleurs.
- Lavez uniquement la vaisselle et les articles de cuisine indiqués comme lavables au lave-vaisselle. Reportez-vous à la rubrique Matériaux lavables au lave-vaisselle pour plus d'informations sur la vaisselle adaptée.

AVIS

Afin de ne pas endommager le lave-vaisselle, n'y chargez pas des objets en papier, des sacs en plastique, des matériaux d'emballage ou tout article autre qu'un article normal, de la vaisselle ou des ustensiles de cuisine lavables au lave-vaisselle.

Chargement du panier supérieur

Assurez-vous que les articles ne dépassent le fond des paniers et ne bloquent les bras gicleurs.

Remarque : Lors de l'insertion du panier supérieur [22] dans le lave-vaisselle, poussez-le jusqu'à ce qu'il bute contre la paroi arrière du bac à laver. Ainsi, le bras gicleur du panier supérieur [23] se connecte à l'alimentation en eau à l'arrière du bac à laver. Ne poussez pas les paniers à l'aide de la porte.

Chargement du panier inférieur

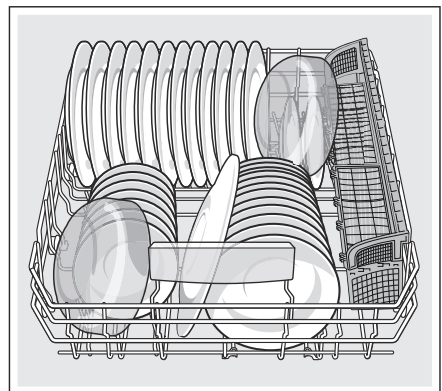
Placez les objets volumineux dans le panier inférieurs [30]. Chargez les chaudrons, casseroles et bols à l'envers. Ne bloquez pas le trou de ventilation [25] avec de grandes plaques à pâtisserie. Chargez ces objets du côté droit du lave-vaisselle.

Mode de chargement recommandé

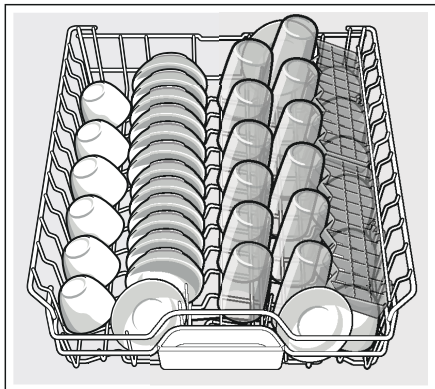
Pour un usage quotidien, régulier ou normal

Réglage 12 places

Panier inférieur [30]

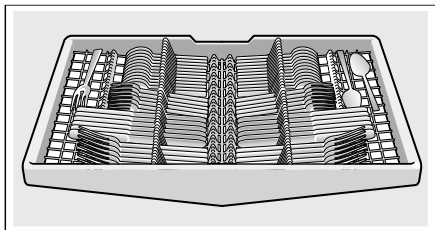


Panier supérieur 22



Remarque : Le repliage des étagères à tasses permet aux tasses d'être disposée selon un angle accru et de réduire les accumulations d'eau au fond de celles-ci.

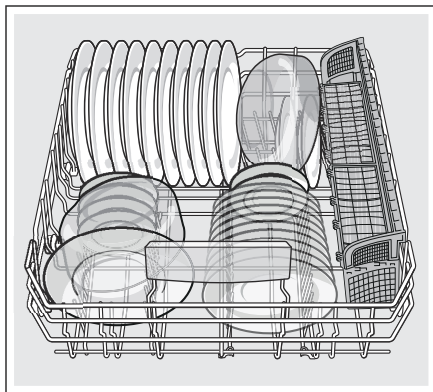
Troisième panier 21



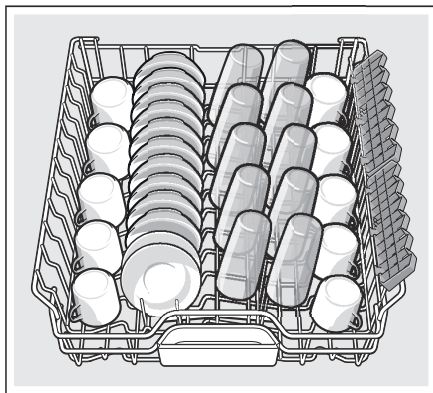
Configuration de chargement supplémentaire

Réglage 10 places

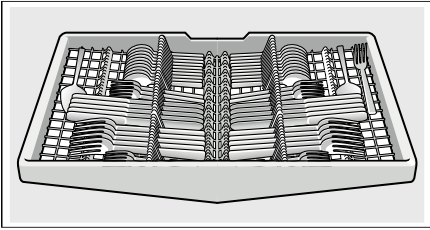
Panier inférieur 30



Panier supérieur 22



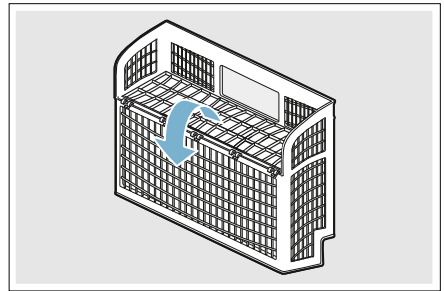
Remarque : Le repliage des étagères à tasses permet aux tasses d'être disposée selon un angle accru et de réduire les accumulations d'eau au fond de celles-ci.

Troisième panier 21**Chargement du panier à ustensiles**

Les couteaux et ustensiles tranchants doivent être placés avec les poignées en haut, les cuillères et fourchettes avec les poignées en bas. Si des objets volumineux ou aux formes irrégulières sont chargés dans le panier à ustensiles, veillez à ce qu'ils ne s'entassent pas.

⚠ AVERTISSEMENT**RISQUE DE BLESSURES !**

Les points et bords tranchants des couteaux et autres ustensiles coupants peuvent causer des blessures graves. Lors du chargement, les pointes des couteaux et autres ustensiles tranchants doivent être tournés vers le bas. Les enfants ne doivent pas utiliser ou jouer près des couteaux et ustensiles tranchants.

Paniers à ustensiles longs

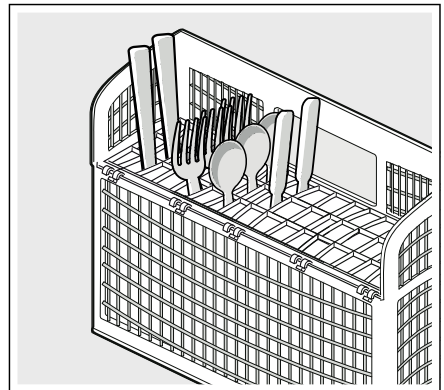
Remarque : Le couvercle du panier à ustensiles peut également être rabattu afin de laisser le panier ouvert.

Ce lave-vaisselle est équipé d'un tiroir d'argenterie qui devrait répondre à la plupart de vos besoins en chargement de ce type d'objet.

Toutefois, si vous faites un lavage sans tiroir d'argenterie ou si vous avez trop d'argenterie, un panier d'argenterie est également compris.

En chargeant le panier d'argenterie, évitez les points de contact excessifs ainsi que l'emboîtement d'ustensiles (par ex. un cuillère nichée à l'intérieur d'une autre).

Pour ce faire, fermez les couvercles du panier d'argenterie et insérez chaque ustensile dans chaque trou individuel, tel qu'illustré.



Retrait de la vaisselle

Lors du retrait de la vaisselle, pour éviter que l'eau ne coule sur les plats secs, videz d'abord le panier inférieur [30]. Ensuite, déchargez le panier à couverts [29] suivi par le panier supérieur [22] et le troisième panier (si équipé).

Remarque : Les plats sont plus susceptibles de s'ébrécher lorsqu'ils sont déchargés avant d'être refroidis.

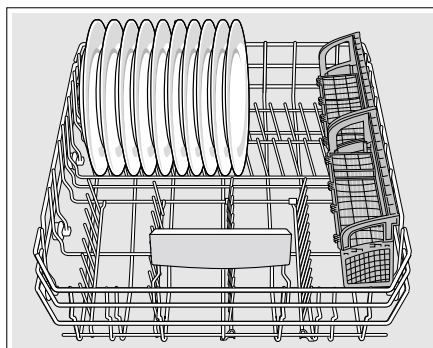
Réglage de la hauteur du panier

Au besoin, la hauteur du panier supérieur [22] peut être ajustée pour libérer plus d'espace pour les ustensiles de grande taille, dans le panier supérieur comme inférieur.

Avec le panier à ustensiles	Panier supérieur	Panier inférieur
Configuration 1 ø max.	24 cm (9,4 po)	34 cm (13,4 po)
Configuration 2 ø max.	26,5 cm (10,4 po)	30,5 cm (12 po)
Configuration 3 ø max.	29 cm (11,4 po)	28 cm (11 po)

Avec le troisième panier	Panier supérieur	Panier inférieur
Configuration 1 ø max.	18 cm (7 po)	34 cm (13,4 po)
Configuration 2 ø max.	20,5 cm (8 po)	30,5 cm (12 po)
Configuration 3 ø max.	23 cm (9 po)	28 cm (11 po)

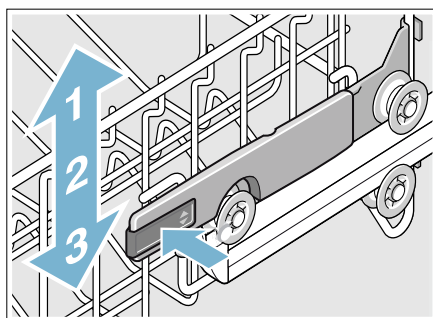
Disposez les grosses assiettes d'un diamètre maximal de 34 cm (13,4 po) dans le panier inférieur [30] tel qu'illustré.



RackMatic®

La hauteur du panier supérieur [22] peut être ajustée à 3 niveaux afin de créer plus d'espace.

1. Faites sortir le panier supérieur du lave-vaisselle jusqu'à la butée.
2. Pour abaisser le panier, poussez le levier RackMatic® lever vers l'intérieur.
3. Pour relever le panier, tenez les côtés du panier supérieur et soulevez-le.



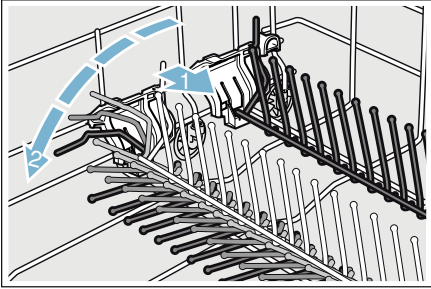
Remarque : Vérifiez que le bras gicleur n'est pas bloqué après réglage.

Accessoires de panier

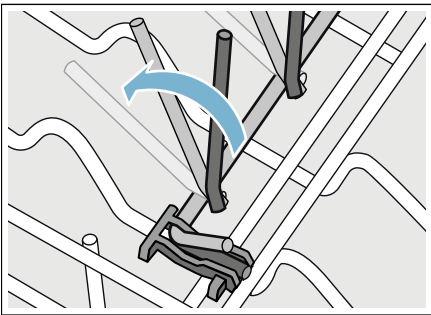
Peignes rabattables

Les paniers supérieur et inférieur sont équipés de peignes rabattables qui peuvent être repliés en fonction des objets que vous souhaitez charger dans le panier.

Peignes rabattables du panier inférieur : Pour les abaisser, tirez légèrement le peigne rabattable vers l'avant et dégagez-le de l'encoche. Poussez le peigne rabattable vers le bas. Pour les élever, poussez les peignes rabattables dans une position verticale jusqu'à ce que le support s'encliquette dans l'encoche.

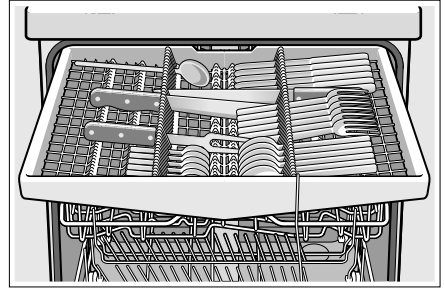


Peignes rabattables du panier supérieur : Pour les abaisser, poussez légèrement les peignes rabattables vers le bas. Pour les élever, poussez les peignes rabattables dans une position verticale jusqu'à ce que le support s'encliquette dans l'encoche.



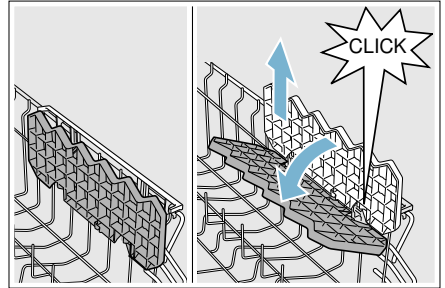
3ème panier

Le 3ème panier [21] permet de placer horizontalement les couteaux, spatules et autres outils de grande taille pour un meilleur nettoyage et un chargement et déchargement faciles. Disposez la couellerie dans le 3ème panier tel qu'illustré.

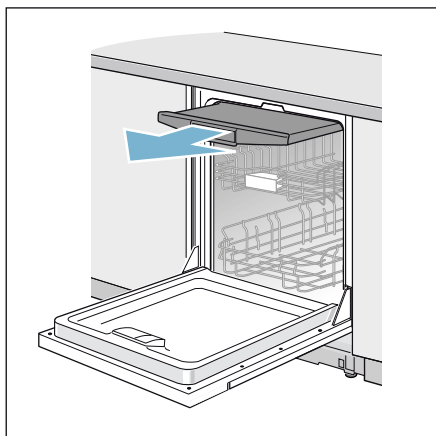


Étagère pour tasses

Les étagères pour tasses et l'espace en dessous peuvent être utilisés pour les petites tasses ou pour des ustensiles plus larges.

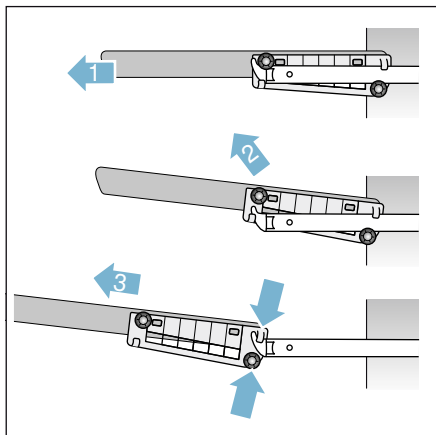


Retirer/installer le troisième panier



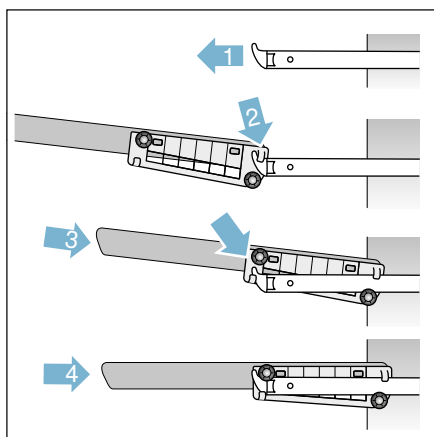
Retirer le troisième panier [21]

1. Sortez le troisième panier jusqu'au bout (1).
2. Soulevez les galets supérieurs au-dessus des crochets de butée des deux glissières (2).
3. Sortez le troisième panier vers l'avant et vers le haut, de sorte que les coins de retenue et les galets inférieurs du panier passent au-dessus des crochets de butée des deux glissières (3).

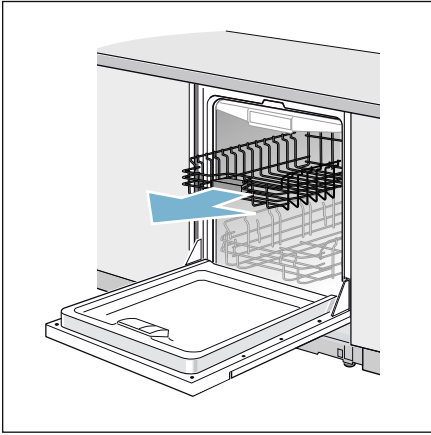


Installer le troisième panier [21]

1. Sortez les glissières du troisième panier jusqu'au bout (1).
2. Insérez le troisième panier incliné. Assurez-vous que les crochets de butée des deux glissières coulissent entre les coins de retenue et les galets inférieurs du troisième panier (2).
3. Glissez le troisième panier à l'intérieur et soulevez les galets supérieurs au-dessus des crochets de butée avant des deux glissières (3).
4. Insérez le troisième panier en le poussant (4).

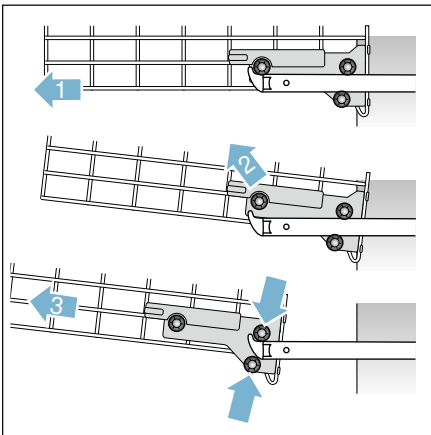


Retirer/installer le panier supérieur avec Rackmatic®



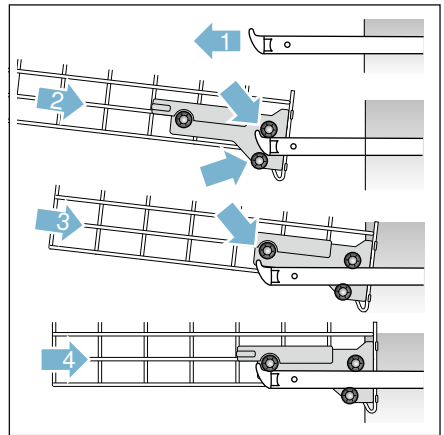
Retirer le panier supérieur [22]

1. Sortez le panier supérieur jusqu'au bout (1).
2. Soulevez les galets avant sur le crochet de butée de la glissière (2).
3. Sortez le panier supérieur vers l'avant et vers le haut, de sorte que les galets supérieurs et inférieurs du panier coulissent au-dessus des crochets de butée des deux glissières (3).



Installer le panier supérieur [22]

1. Sortez les glissières du panier supérieur jusqu'au bout (1).
2. Insérez le panier supérieur incliné. Assurez-vous que les crochets de butée des deux glissières coulisent entre les galets supérieurs et inférieurs sur le côté arrière du panier (2).
3. Glissez le panier supérieur à l'intérieur et soulevez les galets supérieurs au-dessus des crochets de butée avant des deux glissières (3).
4. Insérez le panier supérieur en le poussant (4).





Détergent

Utilisez uniquement un détergent spécialement conçu pour les lave-vaisselle. Pour de meilleurs résultats, utilisez un détergent pour lave-vaisselle en poudre ou des comprimés détergents.

AVIS

Pour éviter d'endommager le lave-vaisselle :

- évitez d'utiliser des détergents pour vaisselle à la main dans votre lave-vaisselle.
- n'utilisez pas trop de détergent si l'eau utilisée est douce. L'utilisation d'une quantité excessive de détergent avec une eau douce peut rayer la verrerie et la porcelaine fine.

Ce lave-vaisselle nécessite moins d'eau que les autres, et par conséquent, moins de détergent. Avec de l'eau froide, 1 cuillère à soupe (15 ml) de détergent suffira pour le nettoyage. Le distributeur de détergent dispose de traits de graduation correspondant à 1 cuillère à soupe (15 ml) et 1,75 cuillères à soupe (25 ml). 3 cuillères à soupe (45 ml) de détergent rempliront complètement le distributeur de détergent.

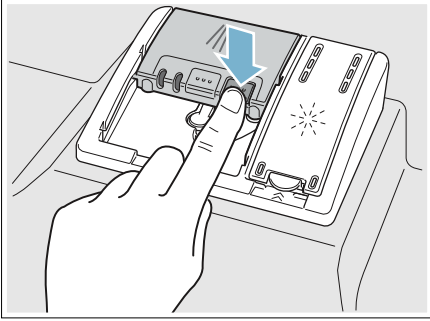
Remarque : Si vous ignorez la dureté de votre eau, utilisez 15 ml de détergent. Si nécessaire, ajoutez la quantité minimale nécessaire au nettoyage impeccable de vos ustensiles de cuisine.

Servez-vous des lignes de référence du distributeur de détergent comme aide à la mesure de la quantité de détergent recommandée dans le tableau suivant.

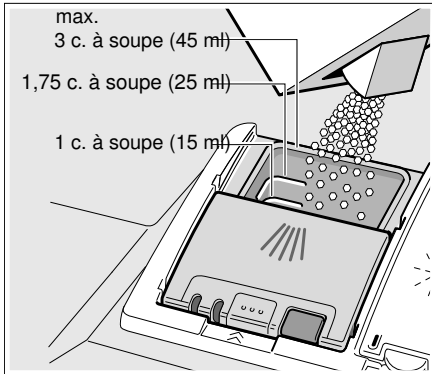
Cycle de nettoyage	Eau dure/ Souillure importante	Eau à dureté moyenne/ Souillure moyenne	Eau douce/ Souillure légère
Heavy (Intensif)	3 c. à soupe (45 ml)	3 c. à soupe (45 ml)	1,75 à 3 c. à soupe (25 à 45 ml)
Auto	1,75 à 3 c. à soupe (25 à 45 ml)	1,75 c. à soupe (25 ml)	1 à 1,75 c. à soupe (15 à 25 ml)
Normal	1,75 à 3 c. à soupe (25 à 45 ml)	1,75 c. à soupe (25 ml)	1 à 1,75 c. à soupe (15 à 25 ml)
Speed60 ^{MC}	1,75 c. à soupe (25 ml)	1 à 1,75 c. à soupe (15 à 25 ml)	1 c. à soupe (15 ml)
Rinse (Rinçage)	Aucun	Aucun	Aucun

Ajout de détergent

1. Si le distributeur de détergent [32] demeure fermé, actionnez la barre de verrouillage [33] pour l'ouvrir.

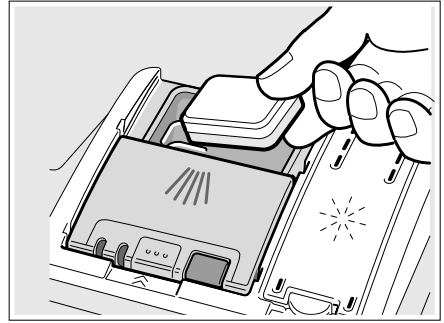


2. Ne versez du détergent que dans le distributeur de détergent sec [32]. Ajoutez le détergent. Ne remplissez pas le distributeur de détergent outre mesure.



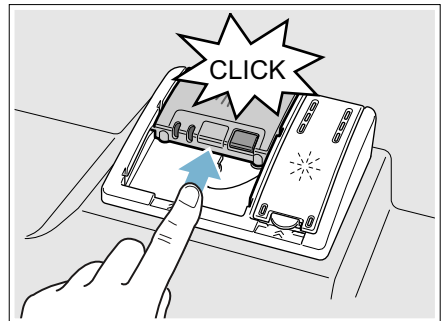
En cas d'utilisation de comprimés détergents, placez-les de telle sorte qu'ils n'entrent pas en contact avec le couvercle. Insérez-les à plat et non sur le côté.

Remarque : Ne placez pas les comprimés détergents dans le compartiment à détergent [24]. Placez les comprimés ou d'autres formes de détergent directement dans le distributeur de détergent [32].



Dosage : voir les instructions du fabricant sur l'emballage.


3. Fermez le couvercle en plaçant le doigt sur le couvercle tel qu'illustré. Faites glisser le couvercle pour fermer et appuyez dessus fermement jusqu'à entendre un clic.



Le distributeur de détergent s'ouvrira automatiquement au moment approprié pour le cycle défini. Le détergent liquide ou en poudre est dispersé dans l'appareil et dissout, les comprimés détergents tombent dans le compartiment à détergent [24] où ils se dissolvent tout au long du cycle.

Conseil : Si les ustensiles sont peu souillés, une quantité de détergent légèrement inférieure à celle recommandée est suffisante.

Cycles du lave-vaisselle

Cycle de nettoyage	Usage recommandé	Option du cycle de nettoyage possible
Heavy (Intensif)	Idéal pour le nettoyage d'ustensiles salis par les aliments cuits ou la graisse. Ils nécessitent généralement un temps de trempage ou un récurage à la main.	tout
Auto	Le cycle le plus intelligent, avec la détection de salissure la plus souple, idéal pour la vaisselle mélangée et souillée par les aliments.	tout
Normal (voir la note au bas du tableau)	Recommandé pour une utilisation, quotidienne, régulière ou typique pour le lavage complet d'un chargement plein de vaisselle à souillure normale.	tout Remarque : Pour obtenir un rendement optimal avec une consommation minimale d'énergie, il est recommandé de désactiver toutes les options et tous les réglages disponibles à l'exception de l'option Auto Power Off (Arrêt automatique) - réglée à  $i \rightarrow$ "Auto power off (Arrêt automatique)" à la page 70
Speed60^{MC}	Nettoie les plats fraîchement souillés et faciles à nettoyer. Ce cycle a une durée réduite, mais il comprend malgré tout un cycle de séchage.	Delay (Retardé) Extra Dry
Rinse (Rinçage)	Utilisez ce cycle si vous désirez faire un rinçage préalable de vos plats afin d'éviter des odeurs. Placez les plats non rincés dans le lave-vaisselle et sélectionnez le cycle Rinse (Rinçage). Utilise moins d'eau qu'un lavage manuel et une puissance très faible.	Delay (Retardé)

Remarque : L'étiquetage Energy Guide se base sur le cycle de détection du niveau de saleté **Normal** comme suit : l'unité a été testée avec un distributeur de produit de rinçage (liquide) vide [31]. Une seule dose de détergent a été introduite dans le distributeur de détergent [32], aucun détergent n'étant utilisé dans le cycle de pré-lavage. L'appareil n'a pas été soumis à un processus d'essai tronqué aux termes des définitions décrites dans la procédure d'essai. Nous recommandons, pour les chargements de vaisselle tel que celui décrit dans le test de certification en matière de performance énergétique, que le panier soit placé à la position la plus élevée.

P+ Options de cycles du lave-vaisselle

Delay (Retardé)

Vous permet de retarder le démarrage de votre lave-vaisselle jusqu'à 24 heures.

Half Load (Chargement partiel)

Peut réduire la consommation d'eau lors du nettoyage de petites vaisselles légèrement souillées, remplissant pratiquement à moitié la capacité du lave-vaisselle.

Sanitize (Désinfecter)

Cette fonction augmente les températures et les maintient pendant une durée prolongée afin d'obtenir des performances d'assainissement prédéfinies. L'utilisation continue de cette fonction améliore le niveau d'hygiène. Cette option supplémentaire est idéale pour le lavage d'articles tels que des planches à découper et des biberons.

Cette option peut également améliorer le séchage. Cela pourrait rallonger le cycle et faire augmenter la consommation d'énergie.

Extra Dry (Extra sec)

Utilisée conjointement avec un cycle de nettoyage (à l'exception du rinçage), l'option Extra Dry (extra sec) augmente la température et rallonge le temps de séchage pour un meilleur résultat et un plus beau lustre. Cela pourrait faire augmenter la consommation d'énergie.

Informations sur le cycle de lavage

Pour économiser de l'énergie, ce lave-vaisselle dispose d'un système EcoSense dans lequel les capteurs du lave-vaisselle ajustent automatiquement les variations de longueur, de température et d'eau du cycle en fonction du niveau de souillure alimentaire et de la température de l'eau entrante. Les décisions prises par le « Contrôle intelligent » peuvent causer un

ajustement intermittent du temps et de l'eau utilisée pour le cycle. **Les temps du cycle de lavage sont définis en fonction température d'alimentation en eau de 120° F (49° C).** Si la température d'alimentation en eau de votre maison est autre que 120° F (49° C), les temps de cycle de votre lave-vaisselle peuvent être affectés.

	Heavy	Auto	Normal	Speed60 ^{MC}	Rinse
Temps de cycle min.	110 - 135	105 - 129	130 - 135	60	9
Utilisation d'eau gal/l	4,9-6,4/ 18,6-24,2	3,4-6,4/ 12,9-24,1	2,3-5,5/ 8,8-21,0	3,8/ 14,3	1,1/ 4,1
Temp. de nettoyage °F/°C	151-160/ 66-71	127-131/ 53-55	113-131/ 45-55	122/ 50	au départ
Temp. de rinçage °F/°C	162/ 72	153-162/ 67-72	156/ 69	158/ 70	au départ
Half load (chargement partiel)					
Temps de cycle min.	114	90-105	90-99	s/o	s/o
Utilisation d'eau gal/l	4,7/ 17,9	2,7-4,4/ 10,2-16,5	2,8-3,7/ 10,8-13,9	s/o	s/o
Temp. de rinçage °F/°C	162/ 72	131-151 55-60	162/ 72	s/o	s/o
Sanitize (désinfecter)					
Temps de cycle min.	130-150	125-150	135-155	s/o	s/o
Utilisation d'eau gal/l	4,9-6,4/ 18,6-24,2	3,4-6,4/ 12,9-24,1	2,3-5,5/ 8,8-21,0	s/o	s/o
Temp. de rinçage °F/°C	162/ 72	162/ 72	162/ 72	s/o	s/o

	Heavy	Auto	Normal	Speed60 ^{MC}	Rinse
Extra Dry (extra sec)					
Temps de cycle min.	130-150	125-150	135-155	60	s/0
Utilisation d'eau gal/l	4,9-6,4/ 18,6-24,2	3,5-6,5/ 13,1-24,5	2,4-5,5/ 8,8-20,8	3,8/ 14,3	s/0
Temp. de rinçage °F/°C	162/ 72	162/ 72	162/ 72	158/ 60	s/0

Remarque : Seuls les cycles de désinfection ont été conçus de manière à respecter les exigences de la Section 6 de la norme NSF/ANSI relative aux Équipements à usage résidentiel destinés à l'élimination de salissures et à la désinfection efficace. À cet effet, aucune indication ne spécifie, directement ou indirectement, que tous les cycles ont passé avec succès les tests de performance en matière d'assainissement.



Mise en marche du lave-vaisselle



AVERTISSEMENT

RISQUE DE BLESSURES !

Pour éviter des risques de blessures, faites toujours attention lorsque vous ouvrez la porte pendant ou après un cycle de lavage car des rejets d'eau chaude ou de vapeur peuvent survenir. N'ouvrez pas complètement la porte avant que les bruits d'eau n'aient cessés et que la vapeur ne soit dissipée.

Protection contre une opération involontaire

Votre lave-vaisselle est équipé d'une fonction qui aide à empêcher toute utilisation involontaire (par exemple par des enfants).

Après avoir réglé le lave-vaisselle, la porte doit être fermée dans les 4 secondes qui suivent ou l'opération sera interrompue. Un signal apparaîtra alors sur le panneau de contrôle, vous invitant à appuyer de nouveau sur le bouton Départ et à fermer la porte.

Cette fonction s'active lorsque :

- vous appuyez sur Départ pour lancer un cycle de lavage
- vous réglez le Départ différé et appuyez sur Départ
- vous ouvrez la porte alors que le Départ différé est enclenché
- vous ouvrez la porte au cours d'un cycle de lavage

Remarque : Il est impossible de désactiver cette fonction.

Utilisation des boutons tactiles

Les boutons sont sensibles et doivent être légèrement touchés. Évitez que la graisse ou les particules d'aliments ne se déposent sur les boutons, cela peut activer le lave-vaisselle.

L'essuyage et le nettoyage peuvent également activer le lave-vaisselle. Pour un rendement optimal, touchez les boutons avec des mains nues et propres.

Pour nettoyer les boutons tactiles, essuyez-les avec un chiffon sec ou légèrement humide.

AquaSensor

L'AquaSensor est un outil de mesure optique qui évalue la propreté de l'eau de rinçage.

L'AquaSensor est utilisé en fonction du cycle de lavage. Si l'AquaSensor est activé, l'eau de rinçage « propre » peut être réutilisée pour le prochain rinçage et la consommation d'eau peut ainsi être réduite de 0,8 à 1,5 gal (3 à 6 litres). Si l'eau de rinçage n'est pas encore propre, celle-ci est évacuée et remplacée par de l'eau claire. Pour les cycles de lavage automatiques, la température ainsi que la durée du cycle peuvent également être ajustées en fonction du degré de souillure.

Mise sous tension de l'appareil

1. Ouvrez complètement l'approvisionnement en eau.
2. Appuyez sur le bouton **On/Off** (Marche/Arrêt) [1].
Le cycle de nettoyage AUTO a été réglé comme option par défaut au démarrage de l'appareil. Ce cycle de lavage demeure sélectionné si vous n'appuyez sur aucun autre bouton [2] de cycle de lavage. Sélectionnez les options souhaitées.
3. Appuyez sur **Start** (Démarrer) [6].

Le cycle de lavage démarre.

Remarque : Votre lave-vaisselle est protégé contre les mises en marche involontaires. Si la porte de l'appareil reste ouverte durant plus de 4 secondes après que vous ayez appuyé sur le bouton Start (démarrer), l'opération est suspendue. Fermez la porte de l'appareil et appuyez de nouveau sur le bouton Start (démarrer) [6].

Affichage de l'heure

Lorsqu'un cycle de nettoyage est sélectionné, la durée restante du cycle est indiquée sur l'afficheur [3].

La durée du cycle de nettoyage est déterminée par la température de l'eau lors du cycle de nettoyage, la quantité de vaisselle, ainsi que son degré de souillure. Elle peut aussi varier selon le cycle de lavage choisi.

Démarrage retardé

Vous pouvez choisir de retarder le démarrage du cycle d'environ 24 heures, par intervalles d'une heure.

h:01 Retard de 1 heure
h:24 Retard de 24 heures

Pour définir le démarrage retardé :

1. Appuyez sur le bouton **On/Off** (Marche/Arrêt) [1]. Sélectionnez un cycle.
2. Appuyez sur le bouton **Delay** (retardé) [4] jusqu'à ce que le temps affiché corresponde à vos besoins.
3. Appuyez sur le bouton **Start** (Démarrer) [6] pour activer le Démarrage retardé.

Pour annuler le démarrage retardé :

1. Ouvrez la porte et appuyez sur le bouton **Delay** (retardé) [4] jusqu'à ce que h:00 soit affiché sur l'afficheur numérique [3].
2. Appuyez sur le bouton **Start** (Démarrer) [6] pour enregistrer le réglage.

Remarque : Votre lave-vaisselle est protégé contre les mises en marche involontaires. Si la porte de l'appareil reste ouverte durant plus de 4 secondes après que vous ayez appuyé sur le bouton Start (démarrer), l'opération est suspendue. Fermez la porte de l'appareil et appuyez de nouveau sur le bouton Start (démarrer) [6].

Fin du cycle de nettoyage

Le cycle de nettoyage est terminé lorsque l'afficheur [3] indique 0:00.

Auto power off (Arrêt automatique)

Ce réglage détermine la durée d'illumination du tableau de commande une fois le cycle terminé. Afin d'économiser de l'énergie, le réglage recommandé est **P:01**.

Ce paramètre peut être réglé dans la plage de **P:00** à **P:02**.

P:00 le lave-vaisselle ne s'arrête pas automatiquement

P:01 le lave-vaisselle s'arrête automatiquement après 1 minute

P:02 le lave-vaisselle s'arrête automatiquement après 120 minutes (2 heures)

Pour changer le réglage :

1. Appuyez sur le bouton **On/Off** (Marche/Arrêt) **[1]**.
2. Maintenez la touche **[A]** enfoncée et appuyez sur le bouton **Start** (Démarrer) **[6]** jusqu'à ce que l'afficheur **[3]** indique **d:0x** (x peut être un nombre quelconque).
3. Relâchez les deux boutons.
4. Appuyez sur la touche de fonction **[A]** jusqu'à ce que l'afficheur **[3]** indique **P:0x**.
5. Appuyez sur la touche de fonction **[C]** jusqu'à ce que l'afficheur corresponde à vos besoins.
6. Appuyez sur le bouton **Start** (Démarrer) **[6]**.

Mise hors tension de l'appareil

Peu de temps après la fin du cycle de nettoyage :

1. Appuyez sur le bouton **On/Off** (Marche/Arrêt) **[1]**.
2. Fermez l'approvisionnement en eau.
3. Sortez les ustensiles lorsque ceux-ci ont refroidi.

AVERTISSEMENT

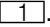
RISQUE DE BLESSURES !
Pour éviter des risques de blessures, faites toujours attention lorsque vous ouvrez la porte pendant ou après un cycle de lavage car des rejets d'eau chaude ou de vapeur peuvent survenir. N'ouvrez pas complètement la porte avant que les bruits d'eau n'aient cessés et que la vapeur ne soit dissipée.

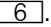
Interruption du cycle de nettoyage

ATTENTION

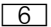

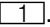
Une pression trop excessive peut provoquer l'ouverture de la porte et le ruissellement d'eau! Si la porte a été ouverte et que celle-ci est chaude ou que le raccordement est chaud, laissez-la toujours entrouverte quelques minutes, puis fermez-la.

1. Appuyez sur le bouton **On/Off** (Marche/Arrêt) **[1]**.
Les DEL s'éteignent. Le cycle de nettoyage a été sauvegardé.

2. Pour relancer le cycle de nettoyage, Fermez la porte de l'appareil et appuyez de nouveau sur le bouton **On/Off** (Marche/Arrêt) .

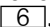
Remarque : Votre lave-vaisselle est protégé contre les mises en marche involontaires. Si la porte de l'appareil reste ouverte durant plus de 4 secondes après que vous ayez appuyé sur le bouton Start (démarrer), l'opération est suspendue. Fermez la porte de l'appareil et appuyez de nouveau sur le bouton Start (démarrer) .

Arrêt du cycle de nettoyage (réinitialisation)

1. Maintenez enfoncé le bouton **Start** (Démarrer)  pendant environ 3 secondes jusqu'à ce que l'afficheur indique .
2. Patientez environ 1 minute, le temps pour le lave-vaisselle d'être drainé.
3. Appuyez sur le bouton **On/Off** (Marche/Arrêt) .

Vous pouvez maintenant redémarrer le lave-vaisselle et commencer un nouveau cycle si désiré.

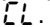
Changement du cycle de lavage

Après avoir appuyé sur la touche **Start** , il est impossible de changer de cycle de lavage. Un changement de cycle de lavage n'est possible que via l'abandon d'un cycle de lavage (Réinitialisation (Reset)).

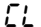
Verrouillage automatique du panneau/à l'épreuve des enfants

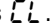
La sécurité enfants empêche l'ouverture du lave-vaisselle lorsqu'il fonctionne afin de prévenir l'interruption du cycle de nettoyage (par ex. par des enfants).

Pour régler le verrouillage :

1. Lancez le cycle de nettoyage désiré.
2. Maintenez enfoncé le bouton au-dessous duquel il est inscrit « Child Lock » (sécurité enfants) pendant environ 3 secondes, jusqu'à ce que l'afficheur indique .

Le verrouillage est enclenché.

 devrait maintenant apparaître si un bouton est enfoncé. Le programme ne sera pas réinitialisé.

Pour **désactiver** le verrou, maintenez enfoncé le bouton « Child Lock » (sécurité enfants) pendant environ 3 secondes, jusqu'à ce que l'afficheur n'indique plus .

Le verrouillage est complètement désactivé une fois le cycle de nettoyage terminé. Dans l'éventualité d'une panne, le verrouillage demeurera enclenché. Le verrouillage doit être activé à chaque nouveau cycle de nettoyage.

Séchage intensif

Le rinçage final utilise une température supérieure qui améliore le résultat de séchage. Cela pourrait rallonger le cycle et faire augmenter la consommation d'énergie. (Attention si les ustensiles sont fragiles!)

Cet équipement possède deux réglages :

d:00 Off (Désactivé)

d:01 On (Activé)

1. Appuyez sur le bouton **On/Off** (Marche/Arrêt) .
2. Maintenez la touche enfoncée et appuyez sur le bouton **Start** (Démarrer) jusqu'à ce que l'afficheur indique d:x (x peut être un nombre quelconque).
3. Relâchez les deux boutons.
4. Appuyez sur la touche de fonction jusqu'à ce que l'afficheur indique la valeur réglée à l'usine d:00.
5. Appuyez sur la touche de fonction pour mettre la fonction Extra sec sur On (activée) d:01 ou sur Off (désactivée) d:00.
6. Appuyez sur le bouton **Start** (Démarrer) pour enregistrer le réglage.



Entretien et maintenance

Une inspection régulière et une maintenance de votre appareil vous aideront à prévenir d'éventuelles pannes. Ceci vous permet de sauver du temps et de parer à de nouveaux problèmes.

État général du lave-vaisselle

AVIS

- N'utilisez jamais un nettoyeur à vapeur pour laver votre lave-vaisselle. Le fabricant ne sera en aucun cas responsable des dégâts causés.
- Essuyez régulièrement la face avant de l'appareil à l'aide d'un chiffon légèrement humide (il est important d'utiliser de l'eau et une petite quantité de savon liquide). Évitez d'utiliser des éponges, elles pourraient rayer les surfaces.
- N'utilisez pas de lingettes à base d'eau de javel, elles pourraient endommager la surface ou l'impression.
- Appareils en acier inoxydable : pour empêcher la corrosion, n'utilisez pas d'éponges ou de détergents à base de chlore. Utilisez un produit à polir pour acier inoxydable pour sceller et protéger la surface. N'utilisez pas de nettoyeurs ou de lingettes à base de chlore.
- Nettoyez régulièrement les bords extérieurs du panneau intérieur de la porte afin d'éliminer les résidus déposés lors du chargement normal. Si des taches apparaissent sur l'acier

inoxydable, assurez-vous que l'agent de rinçage est rempli et fonctionne correctement.

- Nettoyez régulièrement le joint de la porte avec un chiffon légèrement humide afin d'éliminer les particules alimentaires déposées lors du chargement normal et qui peuvent causer des odeurs. Un joint de porte souillé peut empêcher le bon verrouillage de celle-ci.



AVERTISSEMENT

Faites preuve de prudence lorsque vous démontez les pièces pour le nettoyage, car certains débris peuvent être tranchants.

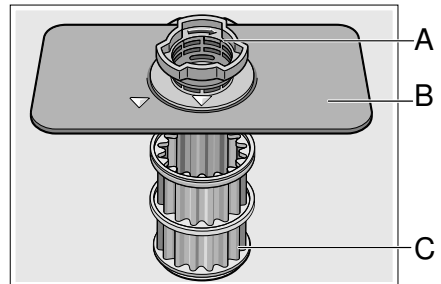
Filtres

Le système de filtre Bosch® [28] est conçu pour éviter la nécessité de faire un nettoyage préalable des résidus alimentaires salissants incrustés sur vos plats. Il vous suffit tout simplement de racler la vaisselle pour en éliminer les résidus d'aliments avant de la charger. Ce procédé permet de faire des économies de temps, d'eau et d'énergie nécessaire au chauffage de l'alimentation en eau de votre maison.

Le système de filtrage de votre lave-vaisselle est conçu de manière à filtrer à 100 % l'eau entrant dans les gicleurs, assurant ainsi un apport continu d'eau propre nécessaire à l'élimination des résidus d'aliments de votre vaisselle.

Éléments de filtrage

Le système de filtration [28] est constitué de trois éléments.



A Filtre à gros éléments

Il empêche aux objets qui ne devraient pas être placés dans votre lave-vaisselle d'endommager le système de pompage du lave-vaisselle ou d'obstruer le système d'évacuation de votre maison.

B Filtre fin plat

Il empêche aux particules d'aliments d'entrer dans la chambre de lavage et dirige ces particules vers le micro-filtre.

C Micro-filtre

Il dirige les particules les plus petites vers le système de plomberie de la maison.

Intervalles de nettoyage

Le système de filtration [28] est conçu de manière à minimiser l'entretien tout en assurant un rendement de nettoyage élevé et une faible consommation d'énergie.

Selon les habitudes d'utilisation et la dureté de l'eau, le système de filtration nécessite un certain entretien afin de garder un haut rendement de nettoyage.

Vous pouvez nettoyer le système de filtration :

- lorsque vous y trouvez des résidus d'aliments ou si des éléments sont retenus dans le filtre à gros éléments.
- en cas de baisse du rendement de nettoyage ou si un film granuleux se forme sur la vaisselle.

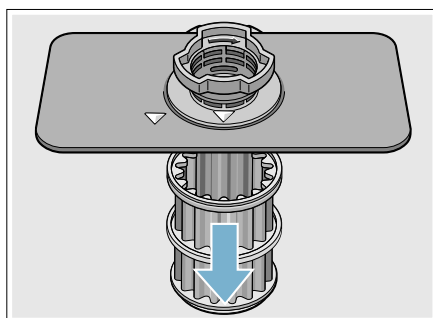
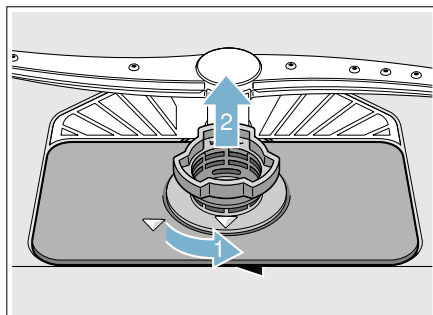
En cas de nettoyage de résidus alimentaires à incrustation normale raclés avant l'insertion de la vaisselle dans l'appareil, dans un ménage où le lave-vaisselle fonctionne un jour sur deux, le filtre de l'appareil doit être nettoyé :

Intervalle de nettoyage	Utilisez ce paramètre,
3-6 fois par an	si vous rincez avant le chargement
4-12 fois par an	si vous grattez simplement avant le chargement
12 fois par an	en cas d'eau dure

Remarque : Nettoyez le filtre après le lavage d'une vaisselle à grande quantité de résidus alimentaires ou d'une vaisselle à forte teneur en fécule afin de garder un rendement optimal.

Pour vérifier ou nettoyer le système de filtration :

1. Dévissez le filtre à gros éléments tel qu'illustré et retirez tout le système de filtration.

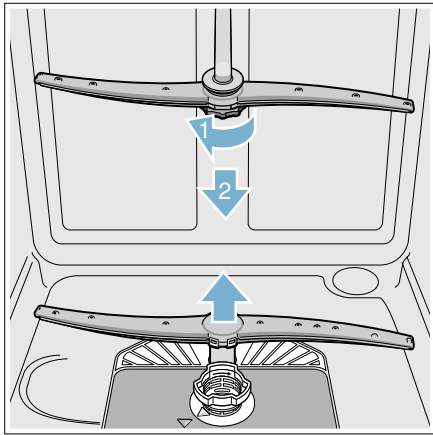


2. Retirez tout résidu et nettoyez les filtres en les rinçant à l'eau claire. Remarque : n'utilisez pas des brosses abrasives ou des chiffons de laine, etc., ils pourraient endommager le filtre.
3. Remontez le système de filtration dans l'ordre inverse et fixez le filtre à gros éléments en le vissant jusqu'à ce que les flèches de marquage soient alignées.

Bras gicleurs

Vérifiez les dépôts [23], [26] de graisse et de tartre sur les gicleurs. En cas de présence de dépôts :

- dans le distributeur de détergent, [32] faites le plein de détergent et démarrez l'appareil à vide, au cycle dont la température est la plus élevée.
→ "Informations sur le cycle de lavage" à la page 66
- nettoyez l'appareil à l'aide de détergents/nettoyants spécialement appropriés pour les lave-vaisselles.
- Dévissez le bras gicleur supérieur [23] et décrochez le bras gicleur inférieur [26] tel qu'indiqué. Contrôler la présence de dépôts.

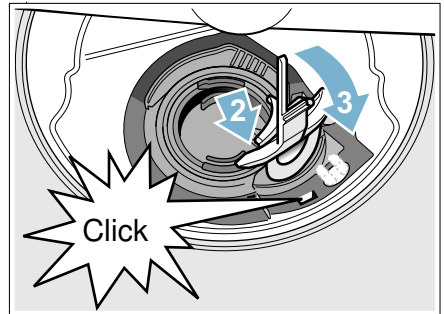
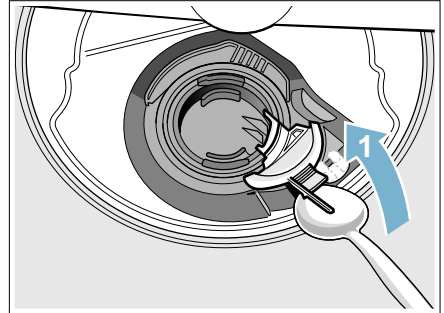


Pompe pour eaux résiduaires

De gros résidus alimentaires présents dans l'eau de rinçage et non retenus par les filtres peuvent obstruer la pompe pour eaux résiduaires. Dans ce cas :

- débranchez l'appareil du réseau électrique.
- retirez les filtres. → "Filtres" à la page 73

- écopez l'eau résiduelle - utilisez une éponge si besoin.
- à l'aide d'une cuillère, débloquez le couvercle de la pompe jusqu'à entendre un clic, saisissez-le ensuite et tirez-le jusqu'à ce qu'une légère résistance se fasse sentir, puis tirez-le vers l'avant.



- contrôlez le compartiment interne et éliminez tout objet étranger.

⚠ AVERTISSEMENT

Faites preuve de prudence lorsque vous démontez les pièces pour le nettoyage, car certains débris peuvent être tranchants.

- placez le couvercle à sa position initiale, appuyez et bloquez-le.
- remontez les filtres.

Remarque : La pompe de vidange ne fonctionnera pas correctement si elle n'est pas totalement insérée, jusqu'à ce qu'elle émette un « clic ».

Rangement de l'appareil en cas d'inactivité

AVIS

Par temps chaud, avant d'aller en vacances, en plus de l'arrêt de la vanne principale, arrêtez également l'alimentation en eau au point le plus proche du lave-vaisselle. Ne pas laisser la vaisselle sale dans l'appareil et laisser la porte légèrement ouverte. Par temps froid, veuillez respecter les instructions suivantes relatives à la préparation de l'appareil pour l'hiver.

Préparation de l'appareil pour l'hiver

AVIS

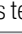
En cas d'inutilisation de votre lave-vaisselle pour une période dans un emplacement aux températures hivernales (maison de vacances ou pendant une période de vacances), faites préparer votre lave-vaisselle pour l'hiver par un personnel qualifié.



Dépannage

Les lave-vaisselle peuvent occasionnellement présenter des problèmes sans rapport avec un dysfonctionnement dudit

lave-vaisselle. Les informations suivantes peuvent vous aider à résoudre un problème afférent au lave-vaisselle sans la nécessité de recourir à un professionnel.

Problème	Cause	Mesure
Le lave-vaisselle ne démarre pas	La porte peut ne pas être correctement verrouillée.	Fermez complètement la porte jusqu'à l'encliquetage.
	L'unité peut ne pas être allumée.	Appuyez sur l'interrupteur d'alimentation principale  pour la mettre sous tension.
	Unité non réinitialisée ou cycle précédent inachevé.	Réinitialisez l'unité.
	Démarrage retardé activé.	Réinitialisez le démarrage retardé.
	Interruption de la tension d'alimentation électrique vers le lave-vaisselle ou fusible sauté.	Vérifiez le disjoncteur.
	La porte a probablement été fermée sans que le cycle ne soit préalablement sélectionné.	Sélectionnez un cycle et fermez la porte.
	L'approvisionnement en eau est probablement coupé.	Vérifiez et rétablissez l'approvisionnement en eau.
Le cycle ne continue pas après que la porte soit ouverte et fermée au cours d'un cycle.	La porte est ouverte pendant plus de 4 secondes après le début d'un cycle.	Appuyez de nouveau sur le bouton Start (Démarrer).
L'afficheur ne s'allume pas	Un fusible a peut être sauté ou le disjoncteur s'est déclenché.	Vérifiez le fusible ou le boîtier de disjoncteur et remplacez le fusible ou réinitialisez le disjoncteur si nécessaire.
	Porte non fermée ou verrouillée. Remarque : Pour les modèles équipés de commandes situées sur la partie supérieure de la porte, l'afficheur ne s'allume que lorsque la porte est ouverte et les commandes sont visibles.	Assurez-vous que la porte est correctement fermée et complètement verrouillée.

Le lave-vaisselle semble fonctionner trop longtemps	L'eau entrante n'est pas assez chaude.	Avant de démarrer un cycle, ouvrez le robinet d'eau chaude au niveau de l'évier le plus proche du lave-vaisselle.
	Le temps de cycle peut varier en raison de l'état de saouillure et de l'eau.	Les capteurs dans le lave-vaisselle augmentent automatiquement le temps du cycle pour assurer un bon lavage lorsque la saouillure est détectée.
	Le distributeur de [31] produit de rinçage est vide ou le réglage du distributeur à "0".	Ajoutez le produit de rinçage ou changez le réglage.
	Lave-vaisselle connecté à l'alimentation en eau froide. Remarque : Vérifiez la durée spécifique du cycle de lavage. → "Informations sur le cycle de lavage" à la page 66	Vérifiez que le lave-vaisselle est connecté à la plomberie d'alimentation en eau chaude.
Les plats ne sont pas assez propres	Mouvement du bras gicleur bloqué.	Assurez-vous que le mouvement bras gicleur n'est pas bloqué en actionnant manuellement les bras des gicleurs rotatifs [23], [26] avant le démarrage du cycle.
	Buses du bras gicleur obstruées.	Retirez les bras gicleurs [23], [26] et nettoyez-les. → "Bras gicleurs" à la page 75
	Utilisation inadéquate de détergents.	Augmentez ou réduisez la quantité de détergent en fonction de la dureté de l'eau.
	Les filtres [28] pourraient être obstrués.	Nettoyez les filtres [28]. → "Éléments de filtrage" à la page 73
	La vaisselle s'emboîte ou les articles sont chargés de manière très rapprochée.	Re-disposez le chargement de manière à ce que les jets d'eau parviennent à tous les objets dans le lave-vaisselle. → "Chargement du lave-vaisselle" à la page 54
	Le cycle de nettoyage sélectionné n'est pas adapté aux conditions de saouillure alimentaire.	Reportez-vous aux informations sur le cycle de lavage. → "Informations sur le cycle de lavage" à la page 66
Rayures sur la verrerie ou résidus sur les plats	Valeur du produit de rinçage incorrecte.	Selon la dureté de l'eau, ajustez le distributeur d'agent de rinçage [31]. → "Produit de rinçage" à la page 52

Les plats ne sèchent pas complètement Remarque : Le plastique ou le téflon ne sèchent pas de la même manière que d'autres articles en raison de leurs propriétés inhérentes.	Le distributeur de produit de rinçage [31] est vide ou la réglage est incorrect.	Ajoutez du produit de rinçage ou changez la réglage - l'utilisation d'un agent de rinçage améliore le séchage, utilisez le cycle Auto, utilisez l'option Désinfecter.
	Chargement incorrect de vaisselle.	Réorganisez la chargement pour éviter tout enchevêtrement d'articles. → "Chargement du lave-vaisselle" à la page 54 Remarque : Certains modèles offrent une option de chauffage supplémentaire pour améliorer les performances de séchage.
Odeur Remarque : L'essai à flot se fait en usine. Parfois, de l'eau peut être présente dans le lave-vaisselle au moment de l'achat, ce qui peut laisser une odeur.	Présence de débris d'aliments au fond du lave-vaisselle.	Retirez les filtres et nettoyez-les. → "Entretien et maintenance" à la page 72
	Des particules d'aliments sont présentes près du joint de porte.	→ "Entretien et maintenance" à la page 72
	Présence d'eau résiduelle au fond du lave-vaisselle.	Assurez-vous que l'appareil a été entièrement vidangé au cycle précédent.
	Flexible de vidange obstrué.	Faites tout corps obstruant le flexible de vidange par un personnel qualifié. Remarque : Si l'odeur persiste, activez le cycle Normal/ Régulier jusqu'à ce que le système soit vidangé et le cycle arrêté et mettez 8 onces de vinaigre blanc distillé sur le panier supérieur puis terminez le cycle.
Les voyants Lave-vaisselle non rempli d'eau ou « Vérifier l'alimentation en eau » s'affiche	Obstruction dans le système d'approvisionnement en eau.	Assurez-vous que la vanne d'alimentation en eau (se trouvant généralement en dessous de l'évier de cuisine) est ouverte et vérifiez que la tuyauterie d'alimentation en eau n'est pas entortillée ou obstruée.
	Le cycle de nettoyage précédent ne s'est pas achevé.	→ "Mise en marche du lave-vaisselle" à la page 68
	Le démarrage retardé est actif.	Annulez le démarrage retardé ou patientez jusqu'à la fin du compte à rebours.
	Approvisionnement en eau du domicile arrêté.	Vérifiez l'approvisionnement en eau.
Panneau de bordure de toit décoloré ou marqué	Agent de nettoyage abrasif utilisé.	Utilisez des détergents doux avec un chiffon légèrement humide.

Bruits au cours du cycle de lavage	La vaisselle est probablement mal disposée.	La présence d'un bruit de circulation d'eau est normale, mais si vous suspectez que les objets s'entrechoquent les uns contre les autres ou contre les bras gicleurs, alors contrôlez la bonne disposition de la vaisselle. → <i>"Chargement du lave-vaisselle" à la page 54</i>
Fuites d'eau	Mousses.	Des détergents de mauvaise qualité ou un remplissage excessif du distributeur de produit de rinçage peut provoquer l'apparition de mousses et de fuites - utilisez uniquement des détergents appropriés pour le lave-vaisselle. Si la mousse persiste, ajoutez une cuillère à soupe d'huile végétale dans la partie inférieure du lave-vaisselle et exécutez le cycle désiré.
	Le joint de porte ne peut être extrait du rail.	Assurez-vous que le joint de porte se trouve dans le rail.
	L'aération réduisant la condensation est bloquée.	Assurez-vous que l'aération réduisant la condensation n'est pas bloquée.
	Installation incorrecte.	Faites vérifier l'installation correcte par un personnel qualifié (approvisionnement en eau, système de drainage, nivellement, plomberie).
Taches sur la cuve à lavage	Les taches sur la paroi interne du lave-vaisselle sont dues à la dureté de l'eau.	Du jus de citron concentré peut réduire la formation des taches dues à la dureté de l'eau. Activez le cycle Normal/Régulier jusqu'à ce que le système soit vidangé et le cycle arrêté, puis mettez 8 onces de jus de citron concentré sur le panier supérieur puis terminez le cycle. Cette mesure peut être prise régulièrement pour éviter la formation de taches.
	Contact de l'argenterie avec le bac à laver.	Assurez-vous que l'argenterie n'entre pas en contact avec le bac à laver pendant l'exécution d'un cycle.
Le couvercle du distributeur de détergent ne se ferme pas	Fonctionnement incorrect du couvercle du détergent.	Pour les instructions sur l'ouverture et la fermeture du distributeur
	Le cycle ne s'est pas achevé ou le cycle a été interrompu.	→ <i>"Mise en marche du lave-vaisselle" à la page 68</i>
Impossible de sélectionner le cycle désiré	Le cycle précédent ne s'est pas achevé.	→ <i>"Mise en marche du lave-vaisselle" à la page 68</i>



Service à la clientèle

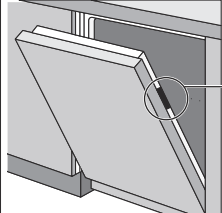
Votre lave-vaisselle BoschMC ne nécessite pas d'entretien autre que les mesures décrites dans la rubrique Entretien et maintenance du présent manuel. En cas de défaillance de votre lave-vaisselle, veuillez vous référer à la rubrique Guide de dépannage du présent manuel, avant de contacter le service client. Si la maintenance est nécessaire, contactez votre revendeur ou installateur, ou un centre de service agréé. N'essayez pas de réparer votre appareil vous-même. Tout travail effectué par un personnel non autorisé peut annuler la garantie.




En cas de problème avec votre lave-vaisselle BoschMC et si vous n'êtes pas satisfait du service que vous avez reçu, veuillez suivre les étapes suivantes jusqu'à ce que le problème soit résolu à votre entière satisfaction :

1. Contactez-nous au 1-800-944-2904
2. Contactez le Service client à partir de notre site internet : **www.bosch-home.com/us** or **www.bosch-home.ca**
3. Contactez votre installateur ou le Fournisseur de services agréé Bosch de votre région.
4. Écrivez-nous :

BSH Home Appliances Corporation
1901 Main Street
Irvine, CA 92614

Veuillez vous assurer d'indiquer les informations relatives à votre modèle ainsi qu'une explication du problème et la date à laquelle celui-ci a débuté. Vous trouverez les informations relatives au modèle et au numéro de série sur l'étiquetage se trouvant à l'extrémité de la porte du lave-vaisselle. Veuillez faire une copie de votre facture et conservez-la avec ce manuel. Pour bénéficier du service de garantie, il peut être demandé au client de présenter une preuve d'achat de l'équipement.



BOSCH		Cust. Service (SERVICE CLIENTÈLE) : 1-800-###-####	
MODEL NUMBER (NUMÉRO DE MODÈLE)		~ 120 V 12.0 A 60 Hz	 US LISTED (LISTÉ)
S#####		0.2 kW ~ 1.2 kW	
FD###xx###		Made in the USA of US and imported parts (Fabriqué aux É.-U. de pièces É.-U. et importées)	 Residential  ENERGY VERIFIED BY ENERGIE TRIPLE VÉRIFIÉ PAR
S9F5B	12#####	76X6 DISHWASHER (LAVE-VAISSELLE) E103022 Certified residential dishwashers are not intended for licensed food establishments. Les lave-vaisselle résidentiels certifiés ne sont pas destinés aux établissements alimentaires agréés.	
		Intertek EP3132762	



Déclaration de la garantie limitée du produit

Ce que couvre cette garantie et à qui elle s'applique :

La garantie limitée prévue par BSH Home Appliances Corporation (BSH) dans cette Déclaration de garantie limitée du produit s'applique aux lave-vaisselle Bosch® (« Produit ») mis à votre disposition, en tant que premier acquéreur, à condition que le Produit ait été acheté :

- pour vos besoins, personnels (non-commerciaux), et qu'il ait été utilisé, à tout moment, à des fins familiales normales ;
- neuf au détail (pas en tant qu'objet exposé, « en l'état », ou un modèle précédemment retourné), et non pour la revente, ou pour une utilisation commerciale ; et
- aux États-Unis ou au Canada, et est à tout moment resté opérationnel dans le pays d'achat. Les garanties mentionnées dans le présent manuel s'appliquent uniquement au premier acquéreur du Produit et ne sont pas transférables.

Assurez-vous de retourner votre carte d'enregistrement ; alors qu'il n'est pas nécessaire d'effectuer une couverture de garantie, il s'agit toutefois du meilleur moyen pour BSH de vous notifier en cas de notice de sécurité ou de rappel de produit.

Quelle est la durée de la garantie

BSH garantit que le Produit est exempt de défauts matériels et de défauts liés à la finesse d'exécution, laquelle garantie s'applique pour une période de trois cent soixante-cinq jours (365) à compter de la date d'achat. La période susmentionnée commence à partir de la date d'achat et ne doit pas être limitée, prolongée, ou interrompue pour une quelconque raison.

Ce Produit est également garanti contre tout défaut de matériau et de fabrication **apparent** (tels les éraflures sur l'acier inoxydable, les défauts d'aspect de la peinture ou de la porcelaine, les ébréchures, les bosselures, ou autres dégâts au fini du Produit), pendant une période de trente (30) jours à compter de la date d'achat ou de la date de clôture pour une nouvelle construction. Cette garantie relative à **l'apparence** exclut les légères variations de couleur découlant des différences inhérentes aux pièces peintes et en porcelaine, ainsi que découlant des différences causées par l'éclairage de cuisine, l'emplacement du produit ou d'autres facteurs similaires. Cette garantie relative à **l'apparence** exclut plus particulièrement tout appareil électroménager en exposition, de plancher, « En l'état » ou de stock « B ».

Garantie limitée prolongée

BSH fournit également les garanties limitées supplémentaires ci-après :

- 5 ans de garantie limitée sur les appareils électroniques : BSH se chargera de la réparation ou du remplacement de tout microprocesseur BSH ou carte de circuit imprimée en cas de défaillance matérielle ou de défauts liés à la fabrication (à l'exception des coûts de travail).
- 5 ans de garantie limitée sur les paniers de vaisselle : BSH se chargera du remplacement du panier supérieur ou inférieur (excepté les composants de panier) si le panier présente des défaillances matérielles ou des défauts liés à la fabrication (à l'exception des coûts de travail).
- Garantie à vie contre la rouille de l'acier inoxydable : BSH se chargera de la réparation ou du remplacement de votre lave-vaisselle par un modèle similaire ou un tout nouveau modèle pratiquement équivalent ou meilleur en termes de fonctionnalités, si le revêtement intérieur rouille (à l'exception des coûts de travail).
- BSH se chargera de la réparation ou du remplacement de la porte en acier inoxydable en cas de rouille (à l'exclusion des coûts de travail).

Réparer/Remplacer, Votre recours exclusif

Pendant cette période de garantie, BSH ou l'un de ses fournisseurs de services agréés réparera gratuitement votre Produit (soumis à certaines restrictions susmentionnées) si celui-ci présente des défauts de fabrication matériels ou des défauts liés à la finesse d'exécution. Si des tentatives de

réparation du Produit ont été entreprises, sans succès toutefois, alors BSH remplacera votre Produit (des modèles améliorés peuvent être mis à votre disposition, à la seule discrétion de BSH, moyennant une majoration). Toutes les pièces et tous les composants retirés demeurent la propriété de BSH à sa seule discrétion. Toutes les pièces remplacées et/ou réparées doivent assumer l'identité de la pièce originale aux fins de la présente garantie et cette dernière ne doit pas être prolongée en considération de telles pièces. La seule responsabilité de BSH, en vertu des présentes, se limite à la réparation des Produits défectueux au départ de l'usine, par le biais d'un fournisseur de services BSH pendant les heures de travail normales. Pour des considérations de sécurité et d'endommagement de propriétés, BSH vous recommande vivement de ne pas essayer de réparer le Produit vous-même, ou de faire appel à un agent d'entretien non autorisé ; BSH n'est en aucun cas responsable des réparations ou des travaux effectués par un agent non qualifié. Si vous faites appel à un agent d'entretien autre qu'un fournisseur de services agréé pour la réparation de votre Produit, **CETTE GARANTIE SERA AUTOMATIQUEMENT ANNULÉE.**

Les fournisseurs de service agréés désignent ces personnes ou entreprises ayant reçu des formations spéciales sur les produits BSH, et qui ont, de l'avis de BSH, une très bonne réputation en matière de service apporté à la clientèle et d'aptitude technique (notez qu'elles sont des entités indépendantes et non des agents, partenaires, sociétés affiliés ou représentants de BSH). Nonobstant ce qui précède, BSH n'encourra aucune responsabilité, pour le Produit si ce dernier est utilisé dans une zone éloignée (à plus de 100 miles d'un fournisseur

de services agréé) ou s'il se trouve dans un environnement raisonnablement inaccessible, à risque, menaçant, ou hostile ; à cet effet, BSH se chargera, à la demande, du paiement des travaux et pièces, et les enverra au fournisseur de services agréé le plus proche de votre localité, mais vous serez entièrement responsable des frais de déplacement ou d'autres frais spéciaux encourus par l'entreprise de services, en espérant qu'elle accepte d'intervenir pour la réparation.

Produit hors garantie

BSH n'est pas tenu, légalement ou autrement, de faire des concessions, y compris des réparations, des partages de frais ou un remplacement du Produit une fois que cette garantie a expiré.

Exclusions de garantie

La couverture de garantie décrite dans le présent manuel exclut tous les défauts ou dommages dont BSH n'est pas directement responsable, y compris, sans pour autant s'y limiter, l'un ou plusieurs des points suivants :

- L'utilisation du Produit dans des conditions anormales ou inhabituelles, (y compris, mais sans limitation, toute forme d'utilisation commerciale, l'utilisation ou le stockage à l'extérieur d'un produit destiné à un usage interne, l'utilisation du Produit conjointement avec des réservoirs d'air ou d'eau courante) ;

- Une faute intentionnelle d'un tiers, la négligence, la mauvaise utilisation, l'utilisation abusive, des accidents, l'exploitation inadéquate, le manque d'entretien, la mauvaise installation, la falsification, le non respect des instructions d'utilisation, la manipulation sans précaution, les réparations non autorisées (y compris les réparations effectuées par l'utilisateur ou l'étude du fonctionnement interne de la machine par celui-ci) ;
- Tout ajustement, toute altération ou toute modification ;
- Le non respect des codes, règlements ou lois locaux, étatiques ou départementaux applicables au système électrique, à la plomberie et/ou aux bâtiments, y compris la non installation du produit conformément aux règlements et codes de sécurité locaux applicables au bâtiment et à la prévention des incendies ;
- L'usure et la détérioration normales, les déversements d'aliments et de liquides, les accumulations de graisses ou d'autres substances sur, dans ou autour du Produit ;
- Les forces et facteurs externes, élémentaires et/ou environnementaux, y compris, mais sans limitation, la pluie, le vent, le sable, les inondations, les incendies, coulées de boue, températures de gel, moisissures excessives ou l'exposition prolongée à l'humidité, la foudre, les surtensions, défaillances de structure autour de l'appareil, et catastrophes naturelles.

BSH n'est en aucun cas tenu pour responsable de de tout dommage sur les propriétés adjacentes, notamment les armoires, planchers, plafonds et autres structures ou

objets se trouvant aux alentours du Produit. Également exclus de la garantie sont des Produits sur lesquels les numéros de série ont été altérés, oblitérés ou effacés ; les visites de service vous enseignant comment utiliser le Produit ; la correction des défauts sur l'installation (vous êtes entièrement responsable de toute structure et paramètre liés au produit, y compris tous les circuits électriques, la plomberie ou d'autres installations de raccordement, des revêtements de plancher/fondation, et de toutes les altérations y compris, mais sans limitation, aux armoires, murs, planchers, étagères, etc.); et de la réinitialisation des disjoncteurs ou fusibles.

DANS LA MESURE OÙ LA LOI L'AUTORISE, CETTE GARANTIE DÉFINIT VOTRE RECOURS EXCLUSIF QUANT AU PRODUIT, QUELLE QUE SOIT LA NATURE DE LA DÉCLARATION, QU'IL S'AGISSE D'UN CONTRAT OU D'UN PRÉJUDICE (INCLUANT LA RESPONSABILITÉ ABSOLUE OU LA NÉGLIGENCE) OU AUTREMENT. CETTE GARANTIE REMPLACE TOUTE AUTRE GARANTIE, EXPRESSE OU ÉCRITE. TOUTE GARANTIE IMPLICITEMENT VISÉE PAR LA LOI, DE QUALITÉ MARCHANDE OU D'ADÉQUATION POUR UN USAGE PARTICULIER, OU AUTREMENT NE SERA EFFECTIVE QUE POUR LA PÉRIODE DE VALIDITÉ DE LA PRÉSENTE GARANTIE. LE FABRICANT NE SERA EN AUCUN CAS RESPONSABLE DE TOUTE « PERTE COMMERCIALE » IMMATÉRIELLE, PARTICULIÈRE, ACCESSOIRE, INDIRECTE, ET/OU DES DOMMAGES PUNITIFS, DES PERTES OU DES DÉPENSES, Y COMPRIS, SANS LIMITATION, L'ABSENCE AU POSTE, LES FRAIS D'HOTÉLS ET/OU DE REPAS PRIS

AU RESTAURANT, LES DÉPENSES DE RESTRUCTURATION EN SUS DES DOMMAGES DIRECTEMENT CAUSÉS PAR BSH, OU AUTREMENT. CERTAINS ÉTATS N'AUTORISENT PAS L'EXCLUSION OU LA LIMITATION DES DOMMAGES IMMATÉRIELS OU ACCESSOIRES ET D'AUTRES N'AUTORISENT PAS LES LIMITATIONS SUR LA DURÉE DE LA GARANTIE IMPLICITE, IL EST DONC POSSIBLE QUE LES RESTRICTIONS SUSMENTIONNÉES NE VOUS CONCERNENT PAS. CETTE GARANTIE VOUS ACCORDE DES DROITS SPÉCIFIQUES LÉGAUX, LESQUELS PEUVENT VARIER D'UN ÉTAT À L'AUTRE. Aucun changement, aucune modification ou aucun amendement apporté à la présente garantie ne prendra effet à moins d'être autorisé par écrit par un responsable du groupe BSH Home Appliances Corporation.

Comment bénéficiaire d'un service de garantie

POUR BÉNÉFICIER D'UN SERVICE SOUS GARANTIE POUR VOTRE PRODUIT, VEUILLEZ CONTACTER LE CENTRE DE SERVICES BSH AGRÉÉ LE PLUS PROCHE, OU APPELEZ LE 1-800-944-2904

BSH reserves the right to change specifications or design without notice. Some models are certified for use in Canada. BSH is not responsible for products which are transported from the United States for use in Canada. Check with your local Canadian distributor or dealer.

BSH se réserve le droit de modifier les données techniques ou le design sans préavis. Certains modèles sont certifiés pour une utilisation au Canada. BSH n'est pas responsable pour les produits transportés des États-Unis pour une utilisation au Canada. Vérifier auprès d'un marchand ou distributeur canadien.

BSH Home Appliances Corporation
1901 Main Street, Suite 600
Irvine, CA 92614
1-800-944-2904



9001238146

(9609)