

Luxury



## ADA-Compliant Series

H50IMS-AD - 15" Clear Ice Maker

- H50IMS-ADL
- H50IMS-ADR
- H50IMW-AD



Clear Ice Maker  
H50IMS-ADL



### General features

- Undercounter design is less than 32" tall
- Durable stainless exterior
- Front-vented, forced-air refrigeration system
- Low E, UV coated glass provides industry leading insulation and protection.
- Also available- ADA-Compliant 15" Clear Ice Maker
- Full one (1) year warranty

### Clear Ice Maker Features

- Up to 55 lbs. of ice production per 24 hours
- UL approved for outdoor use
- Power switch accessible without panel removal
- Easily disassembled water circuit for easy cleaning
- Storage capacity of 22 lbs.
- Clear ice production
- Top hat ice shape
- R-134a refrigerant
- Optional drain pump, filter and toe kick available

Luxury YOU DESIRE

INNOVATION YOU CAN'T LIVE WITHOUT



8300 W. Good Hope Rd. • Milwaukee, WI 53223  
1-800-558-5592 • Fax: (414) 353-7069 • perlick.com

*Perlick is committed to continuous improvement. Therefore, we reserve the right to change specifications without warning.*

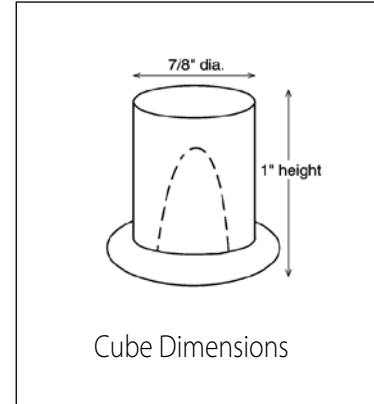
Form No.H50IMS-AD  
Rev. 07.09.2012

## Product Specifications

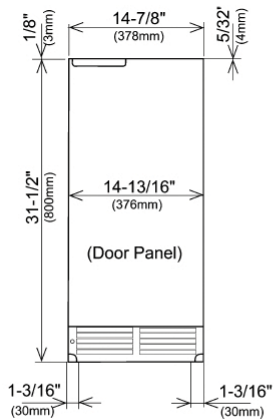
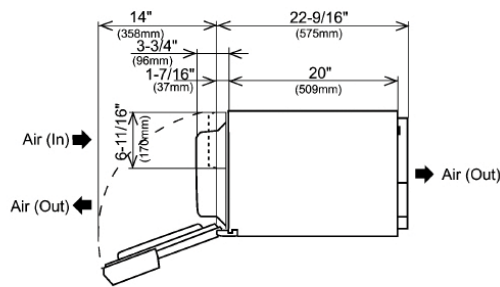
Overall Width	14-7/8" (37.78 cm.)
Overall Height	31-1/2" (80.01 cm.)
Overall Depth	22-9/16" (57.31 cm.)
Operating Limits	Ambient Temp Range: 45° - 100°F Water Temp Range: 45° - 95°F Water Pressure: 7 - 113psig Voltage Range: 104-127V
Electrical	115V, 60Hz, 1 Phase, Amperage 3.4
Plumbing	1/2" FTP Water Inlet, 1/2" FTP Drain
Production	Up to 55 lbs. of ice per 24 hours
Shipping Weight	115 lbs (52.16 kg)

## Available Models - ADA-Compliant 15" Clear Ice Maker

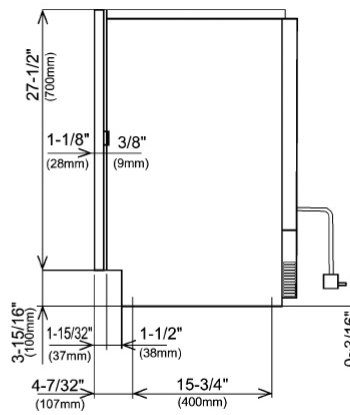
H50IMS-ADL	Solid stainless steel door, hinge left
H50IMS-ADR	Solid stainless steel door, hinge right
H50IMW-AD	Solid wood overlay door, hinge left or right



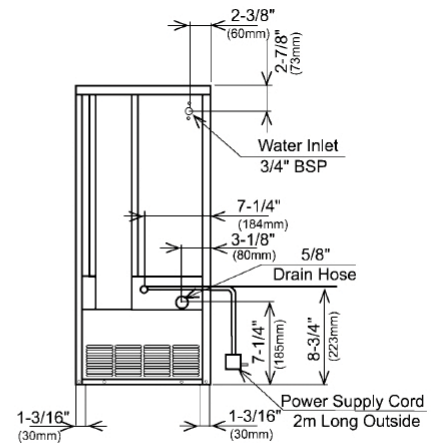
Top Dimensions



Front Dimensions



Side Dimensions



Back Dimensions

Form No.H50IMS-AD  
Rev. 07.09.2012



8300 W. Good Hope Rd. • Milwaukee, WI 53223  
1-800-558-5592 • Fax: (414) 353-7069 • perlick.com

Perlick is committed to continuous improvement. Therefore, we reserve the right to change specifications without warning.