

MERCURY

48" Dual Fuel Range

Powerful Gas Burners and Three Separate Ovens for Ultimate Cooking Perfection

AMC48DF

Oven Features

- Over 6 cubic feet of oven space amongst 3 separate ovens maximize space and reduce energy consumption
- One extra-large 7-Mode Multi-Function™ Oven (left oven) tailored to your cooking needs with Defrost, Convection, Convection Broiling, Fan Assist Bake, Conventional, Browning and Base Heat
- A second extra-large true European convection oven (right oven)
- Each large oven has 5 rack positions; the range comes with 4 heavy duty steel racks and one telescoping steel rack for a total of 5 oven racks
- Powerful dual-element Broiler with an 8-pass, 2,300 watt broiler – ready to cook in just 5 minutes
- Glide Out Broiler System™ with Full and Half Broil mode to provide complete coverage with adjustable heights and extendible gliding tray spacious enough to cook six 6-oz steaks at once
- 9 Eye-catching Hi-Fi Style Controls deliver precise power to each burner and oven with stereo-like grace
- Spacious storage drawer with rubber mat to protect and store cookware
- EasyClean™ Technology with black enamel interior

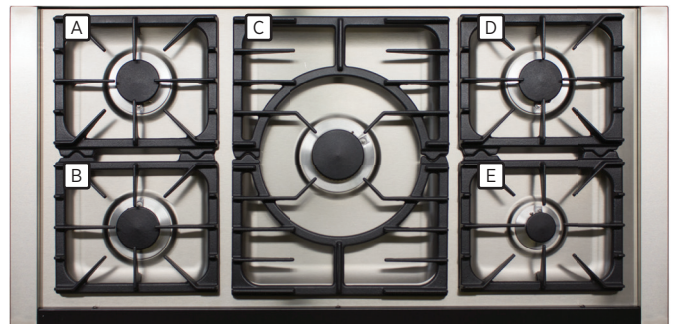


Cooktop Features

- Natural Gas cooktop with 5 sealed brass burners each topped with a porcelain enamel finish cast iron flame spreader to provide superb heat distribution and retention
- One center 17,000 BTU brass burner, three 12,000 BTU brass burners and one 6,000 BTU brass burner
- Extra-large 11.75" diameter burner rated 17,000 BTUs perfect for rapid boiling, large stock pots and stir fry
- 6 interlocking matte finish cast iron grates allow for easy removal and cleaning
- Includes an 11" diameter wok ring made of semi-gloss black enamel coated cast iron to cradle a large wok (not included) on the center burner keeping the wok at the perfect height for focused heat distribution
- Extra-large two-piece interlocking center grate
- Four grates interlock above each side burner providing ample space for any pan
- LP Conversion Kit included

Cooktop Power

- A: 12,000 / 2,400 BTU
- B: 12,000 / 2,400 BTU
- C: 17,000 / 3,400 BTU
- D: 12,000 / 2,400 BTU
- E: 6,000 / 1,200 BTU



MERCURY
by **AGA**

AGA Kitchen Concierge
800-525-5601

www.aga-ranges.com

MERCURY

48" Dual Fuel Range

Powerful Gas Burners and Three Separate Ovens for Ultimate Cooking Perfection

AMC48DF

Technical Details

Circuit Breaker (A)	40A
Volts (V)	240V
Frequency (Hz)	60Hz
Plug Type	4 Wire
Power Cord Length	48"
Energy Source	Electric Ovens and Gas Cooktop
Gas Type	Natural Gas with LP Conversion Kit included
Alternative Gas Type	Liquid Propane

Dimensions & Weights

Appliance Dimensions	47 ⁹ / ₁₆ " W x 28 ⁷ / ₁₆ " D x 36 ¹ / ₈ " H
Depth with Door Open	46 ¹ / ₈ "
Weight	357 lbs.
Shipping Weight	390 lbs.
Package Dimensions	49 ¹ / ₄ " W x 31" D x 46 ¹ / ₂ " H

Accessories Included

- 1 - Enameled broiler pan
- 1 - LP Conversion Kit
- 1 - Broiler pan insert
- 1 - Storage Drawer Mat
- 1 - Cast Iron Wok Ring

Warranty

1 Year Warranty, Entire Appliance, Parts and Labor

General Properties

Total Oven Capacity	6 cu. ft. - All 3 Combined
Cooking Modes Main Cavity - Right side	Convection Bake 2.8 cu. ft.
Cooking Modes Second Cavity - Left side	Multi-function Oven with 7 Cooking Modes 2.8 cu. ft.
Cooking Modes Third Cavity - Broiler	Dual-element with 8-pass 2,300W .5 cu. ft.
Cleaning Type	EasyClean™ Enamel
Grate Type	Interlocking Matte Cast Iron
Controls	Metal Hi-Fi Style with Nitrile Grip
Sealed Burners	Yes

Oven Performance

Main Cavity - Right side	2,500W
Second Cavity - Left side	2,500W
Third Cavity - Broiler	2,300W
Broiler Type	8-pass Radiant Heat

Cooktop Performance

Number of Brass Burners	5
Power of Front Left Burner BTU	12,000 BTU High 2,400 BTU Low
Power of Back Left Burner BTU	12,000 BTU High 2,400 BTU Low
Power of Center Burner BTU	17,000 BTU High 3,400 BTU Low
Power of Front Right Burner BTU	6,000 BTU High 1,200 BTU Low
Power of Back Right Burner BTU	12,000 BTU High 2,400 BTU Low



MERCURY
by **AGA**

AGA Kitchen Concierge
800-525-5601

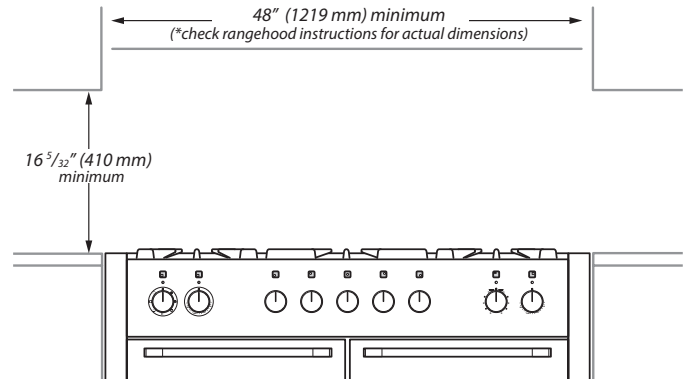
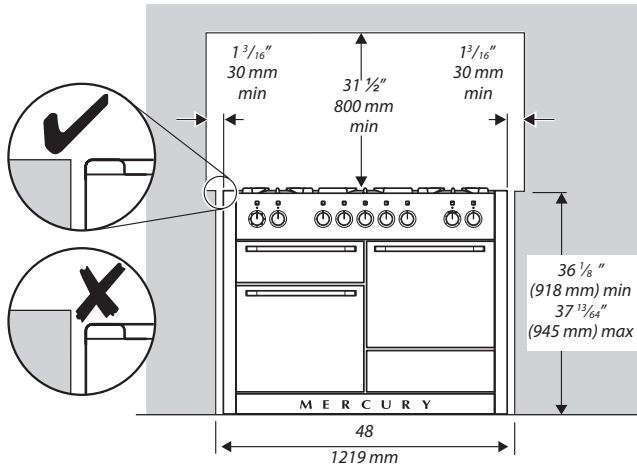
www.aga-ranges.com

MERCURY

48" Dual Fuel Range

Powerful Gas Burners and Three Separate Ovens for Ultimate Cooking Perfection

AMC48DF



Gloss Black



Matte Black



White



Scarlet



Ivory



Stainless Steel

Ordering Details	Model #
Gloss Black	AMC48DF-BLK
Matte Black	AMC48DF-MBL
White	AMC48DF-WHT
Scarlet	AMC48DF-SCR
Ivory	AMC48DF-IVY
Stainless Steel	AMC48DF-SS

MERCURY

by **AGA**

AGA Kitchen Concierge
800-525-5601

www.aga-ranges.com