

- EN** Installation, Operation and Maintenance Instructions  
**FR** Instructions d'installation, d'utilisation et d'entretien  
**ES** Instrucciones de instalación, operación y mantenimiento

Clear Ice Machine  
Machine à glaçons transparente  
Máquina de hielo claro

**ML15CL**  
**ML15CP**



# CONTENTS

## Contents:

Welcome.....	2
Warranty registration .....	2
Safety information .....	3
Unpacking your appliance .....	3
Installing your appliance .....	4
Cabinet clearances .....	4
Leveling the appliance .....	4
Electrical connection .....	5
Installing the drain plumbing .....	6
Gravity drain .....	6
Drain pump .....	7
Installing the water supply .....	8
Filler panel kit .....	9
Ice-maker operation .....	10
Product dimensions .....	12
Using your Electronic control .....	14
Starting your appliance .....	14
Turning your appliance "ON" or "OFF" .....	14
Control lock.....	15
Door ajar alarm.....	15
Error codes .....	15
Delay start / Vacation mode .....	15
Clean reminder .....	15
Options menu .....	16
Normal and eco mode .....	16
Cleaning your ice machine .....	16
Clean mode .....	16
Overlay door panel installation .....	18
Care and cleaning .....	22
Energy saving tips .....	22
Obtaining service .....	23
Troubleshooting the ice machine .....	24
Preparing the ice machine for storage .....	26
Drain pump removal .....	29
Warranty .....	31

## Welcome

Congratulations on your purchase of the industry's quietest clear ice machine with the best ice clarity and purity. Your new investment is protected by a limited warranty for the first year, and hermetically sealed refrigeration system parts are covered for an additional 4 years.



Here's your guide to the operation and maintenance of your Marvel Clear Ice Machine to ensure years of enjoyment. If you have any questions, please contact Marvel Customer Service or Tech Support at:

**Phone:** (800) 223-3900

### Email:

- Customer Service: [orderdesk@agamarvel.com](mailto:orderdesk@agamarvel.com)
- Tech Support: [techsupport@agamarvel.com](mailto:techsupport@agamarvel.com)

## Warranty Registration:

We encourage all new ice machine owners to take a moment to register their product for a more tailored experience should you need support from us in the future. It's recommended to send in your warranty registration card immediately after taking delivery of your appliance.

### To Register:

- Mail in your warranty registration card or register online at [marvelrefrigeration.com](http://marvelrefrigeration.com)
- The following fields are required:
  - Service Number
  - Serial Number
  - Date of Purchase
  - Dealer Name and Address
- The service number and serial number can be found on the serial plate located on the inside of the cabinet on the left side (See Figure 1).

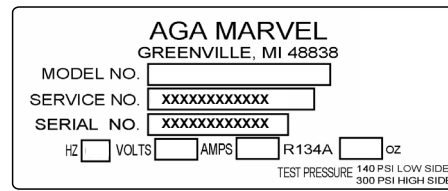


Figure 1

## About your Marvel clear ice machine:

### Performance

- The quietest ice machine you can buy.
- New energy-saving options to conserve water and energy.
- Engineered to consistently produce pure, clear ice with unrivaled clarity and slower melt.
- Produces up to 39 pounds of clear ice daily.
- Close Door Assist System™ prevents energy loss by automatically drawing door to a gentle close.

### Storage Capabilities

- Stores 35 pounds of clear ice in thermo-insulated ice bin.
- Sleek scoop design is positioned for easy reach.
- Easy-to-clean, hygienic interior surface.

### Touchscreen Controls

- Multifunction Marvel Intuit™ Integrated Controls
- Eco Ice™, Delayed Start and Vacation mode adapts ice production to usage.
- Audible alerts and programmed cleaning reminders.

### Aesthetics

- New IlluminICE™ feature projects LED lighting through clear ice for a dazzling illumination effect.
- Designer handle and white interior.
- Easy-to-install panel-ready option with soft-close integrated hinge.
- 4" black adjustable toe kick.
- Height adjustment up to 1" with leveling legs.

# SAFETY INFORMATION AND UNPACKING YOUR APPLIANCE



**AGA MARVEL** is committed to building a quality product in an environmentally friendly manner. Our processes are tightly controlled and closely monitored. We have achieved certifications in ISO 9001 for quality assurance, ISO 14001 for environmental management, and OHSAS 18001 for occupational health and safety from Lloyd's Register Quality Assurance.

## Important Safety Instructions

Warnings and safety instructions appearing in this guide are not meant to cover all possible conditions and situations that may occur. Common sense, caution, and care must be exercised when installing, maintaining, or operating this appliance.

### Recognize Safety Symbols, Words, and Labels.

#### **WARNING**

**WARNING** - You can be killed or seriously injured if you do not follow these instructions.

#### **CAUTION**

**CAUTION**-Hazards or unsafe practices which could result in personal injury or property / product damage.

#### **NOTE**

**NOTE**-Important information to help assure a problem free installation and operation.

#### **WARNING**

**State of California Proposition 65 Warning:**  
This product contains one or more chemicals known to the State of California to cause birth defects or other reproductive harm..

#### **WARNING**

**State of California Proposition 65 Warning:**  
This product contains one or more chemicals known to the State of California to cause cancer.

#### **WARNING**

##### **EXCESSIVE WEIGHT HAZARD**

Use two or more people to move product.  
Failure to do so can result in personal injury.

## Remove Interior Packaging

Your appliance has been packed for shipment with all parts that could be damaged by movement securely fastened. Remove internal packing materials and any tape holding internal components in place. The owners manual is shipped inside the product in a plastic bag along with the warranty registration card, and other accessory items.

## Important

Keep your carton and packaging until your appliance has been thoroughly inspected and found to be in good condition. If there is damage, the packaging will be needed as proof of damage in transit. Afterwards please dispose of all items responsibly.

#### **WARNING**

**WARNING** - Dispose of the plastic bags which can be a suffocation hazard.

## Note to Customer

This merchandise was carefully packed and thoroughly inspected before leaving our plant. Responsibility for its safe delivery was assumed by the retailer upon acceptance of the shipment. Claims for loss or damage sustained in transit must be made to the retailer.

#### **NOTE**

DO NOT RETURN DAMAGED MERCHANDISE TO THE MANUFACTURER - FILE THE CLAIM WITH THE RETAILER.

# INSTALLING YOUR APPLIANCE

## CAUTION

If the appliance was shipped, handled, or stored in other than an upright position for any period of time, allow the appliance to sit upright for a period of at least 24 hours before plugging in. This will assure oil returns to the compressor. Plugging the appliance in immediately may cause damage to internal parts.

## WARNING

### WARNING - Help Prevent Tragedies

Child entrapment and suffocation are not problems of the past. Junked or abandoned refrigerators are still dangerous - even if they sit out for "just a few hours".

If you are getting rid of your old refrigerator, please follow the instructions below to help prevent accidents.

Before you throw away your old refrigerator or freezer:

- Take off the doors or remove the drawers.
- Leave the shelves in place so children may not easily climb inside.

## Select Location

The proper location will ensure peak performance of your appliance. We recommend a location where the ice machine will be out of direct sunlight and away from heat sources. To ensure your product performs to specifications, the recommended installation location temperature range is from 55 to 90°F (13 to 32°C) for built in ice machines and 55 to 100°F (13 to 38°C) for freestanding ice machines. Ice machines will not perform correctly in ambient temperatures less than 55°F (13°C).

## Cabinet Clearance

Ventilation is required from the bottom front of the appliance. Keep this area open and clear of any obstructions. Adjacent cabinets and counter top can be installed around the appliance as long as the front grille remains unobstructed. Overlay door models with articulated hinges are intended for built-in applications only.

## CAUTION

## Front Grille

Do not obstruct the front grille. The openings within the front grille allow air to flow through the condenser heat exchanger. Restrictions to this air flow will result in increased energy usage, loss of cooling capacity and low ice production. For this reason it is important this area not be obstructed and the grille openings kept clean. AGA MARVEL does not recommend the use of a custom made grille as air flow may be restricted. (See Figure 2).

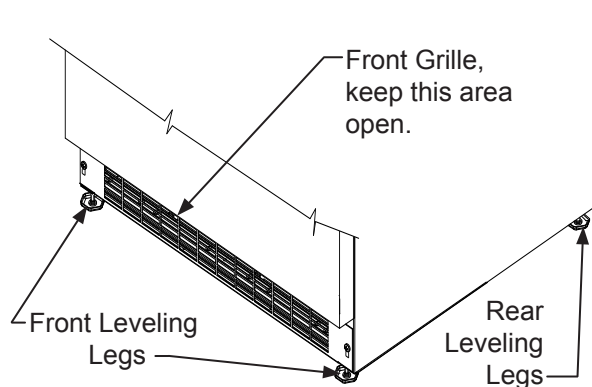


Figure 2

## Leveling Legs

Adjustable legs at the front and rear corners of the appliance should be set so the unit is firmly positioned on the floor and level from side to side and front to back. The overall height of your Marvel appliance may be adjusted higher (by turning the leveling leg out) and lower (by turning the leveling leg in). Cabinet height adjustment dimensions are shown in Table "A".

To adjust the leveling legs, place the appliance on a solid surface and protect the floor beneath the legs to avoid scratching the floor. With the assistance of another person, lean the appliance back to access the front leveling legs. Raise or lower the legs to the required dimension by turning the legs. Repeat this process for the rear by tilting the appliance forward using caution. On a level surface check the appliance for levelness and adjust accordingly.

The front grille screws may be loosened to raise and lower the grille to the desired height. When adjustment is complete tighten the two front grille screws. (See Figure 5).

# INSTALLING YOUR APPLIANCE

Model	Door Style	Minimum Height	Maximum Height
ML15**	(S)	33 3/4" (85.7 cm)	34 3/4" (88.3 cm)
ML15**	(P)	34" (86.4 cm)	35" (88.9 cm)

Table A

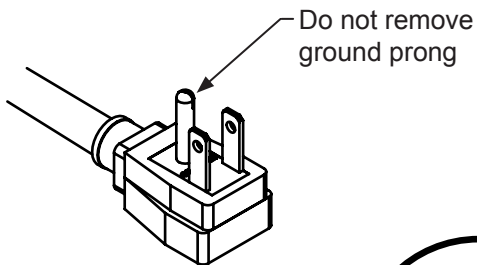


Figure 3

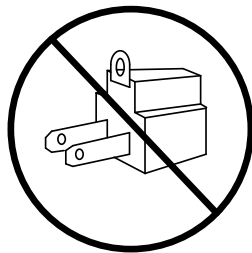


Figure 4

## ⚠ WARNING

### Electrical Shock Hazard

- Do not use an extension cord with this appliance. They can be hazardous and can degrade product performance.
- This appliance should not, under any circumstances, be installed to an un-grounded electrical supply.
- Do not remove the grounding prong from the power cord. (See Figure 3).
- Do not use an adapter. (See Figure 4).
- Do not splash or spray water from a hose on the appliance. Doing so may cause an electrical shock, which may result in severe injury or death.

### Electrical Connection

A grounded 115 volt, 15 amp dedicated circuit is required.

This product is factory equipped with a power supply cord that has a three-pronged, grounded plug. It must be plugged into a mating grounding type receptacle in accordance with the National Electrical Code and applicable local codes and ordinances (see Figure 6). If the circuit does not have a grounding type receptacle, it is the responsibility and obligation of the customer to provide the proper power supply. The third ground prong should not, under any circumstances, be cut or removed.

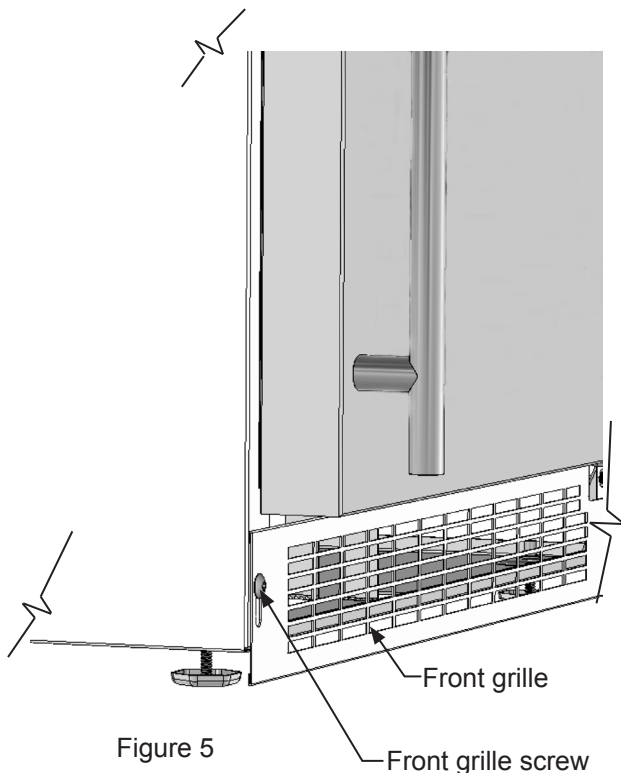


Figure 5

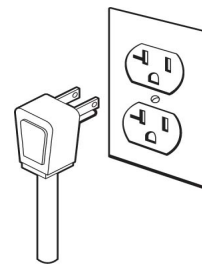


Figure 6

## NOTE

Ground Fault Circuit Interrupters (GFCI) are prone to nuisance tripping which will cause the appliance to shut down. GFCI's are generally not used on circuits with power equipment that must run unattended for long periods of time, unless required to meet local building codes and ordinances.

# INSTALLING THE DRAIN PLUMBING

## CAUTION

Failure to use an adequate drainage system, will result in surrounding water damage and/or poor ice production.

## WARNING

### Electrical Shock Hazard

Reasonable care and safe methods should be practiced. Do NOT work with energized electrical equipment in a wet area. Read and follow the installation instructions listed in this manual.

### Drain Plumbing

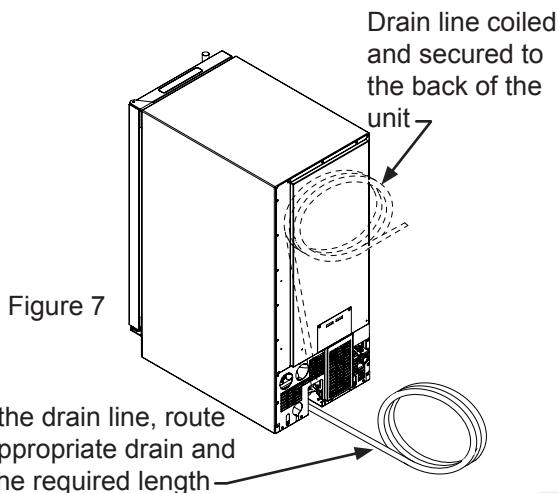
Your ice machine requires drain plumbing. There are 2 variations of ice machines in regards to the installation of the drain plumbing, without a drain pump (gravity drain), and with a drain pump.

### Gravity Drain (no drain pump):

The ice machine is shipped with the drain line installed, coiled and secured to the back of the cabinet as shown in Figure 7. It can be uncoiled, routed to an appropriate drain and cut to length as required. Additionally there is the provision of drain routing through the cut-out in the bottom of the unit, (see the gray area in Figure 8). A drain can be installed in this gray area with the drain line cut to a short length and positioned into the drain as shown in Figure 9, or if the ice machine is to be built-in, the drain tube could be routed through a hole in the floor in this gray area to a drain below.

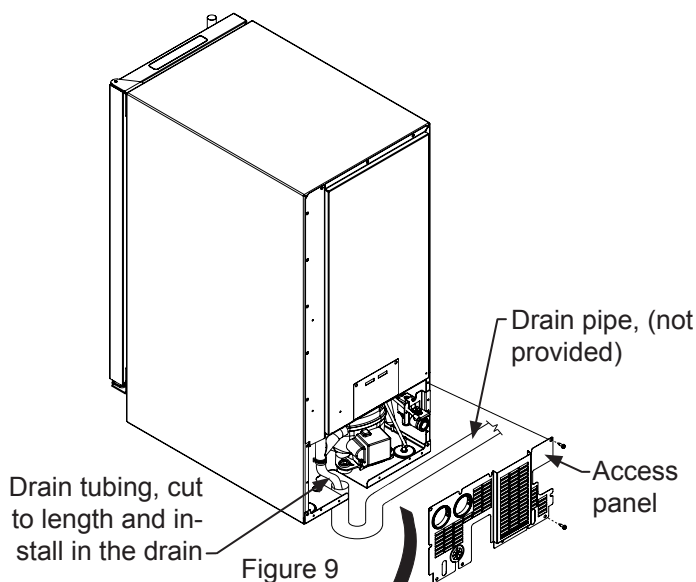
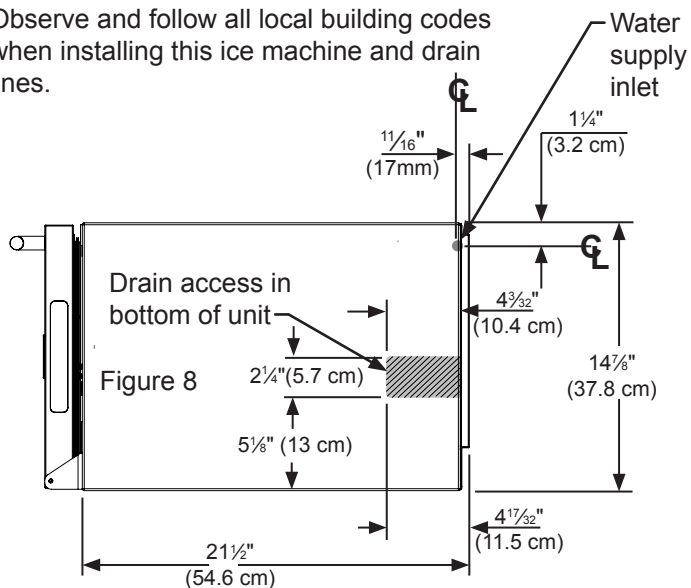
## CAUTION

The gravity drain line must be routed no higher than 6" (15.2 cm) off the floor to assure proper drainage.



## CAUTION

Observe and follow all local building codes when installing this ice machine and drain lines.



## INSTALLING THE DRAIN PLUMBING

### With a factory installed drain pump:

The **Marvel Drain Pump** is designed to remove drain water from ice machines installed in areas without direct drainage access. The sealed reservoir pump collects the melted ice water and pumps it to a maximum lift of eight (8) feet (2.44 meters) using no more than the 20 feet of  $\frac{3}{8}$ " I.D. vinyl tubing.

If the ice machine has a factory installed drain pump. Discharge tubing is coiled up and attached to the back of the ice machine. The  $\frac{3}{8}$  inch I.D. tubing needs to be plumbed and connected to a sanitary sewer. Refer to Figure 10.



### CAUTION

This drain pump is designed to be installed in Marvel ice machines only and approved for use with water only.



### WARNING

#### Electrical Shock Hazard

Risk of electrical shock or personal injury could occur due to moving components, if the machine compartment access cover is removed before unplugging the ice machine power cord.

### Optional Drain Pump.

An optional drain pump is available if you have purchased an ice machine without one and do not have access to a gravity drain. Installation instructions are provided with the optional drain pump. Contact AGA Marvel customer service at 800-223-3900 or your dealer for ordering.

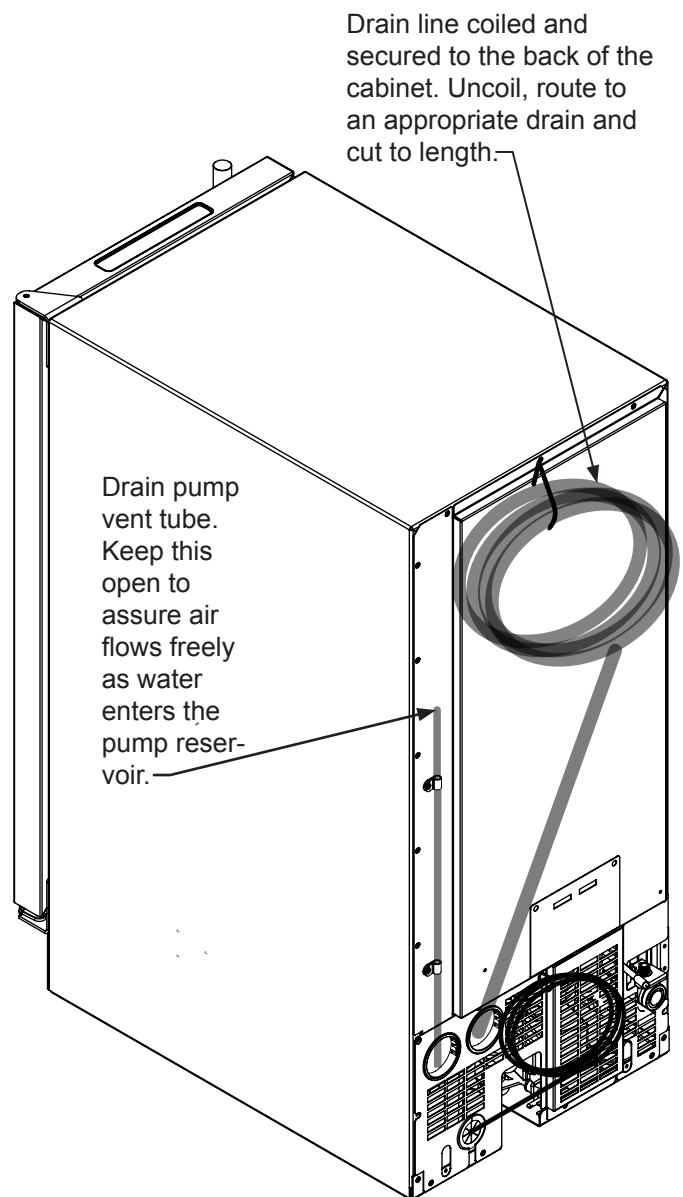


Figure 10

# INSTALLING THE WATER SUPPLY

## Water Supply

### **CAUTION**

Observe and follow all local building codes when installing this appliance.

This ice machine must be connected to a potable cold water supply line, delivering water pressure between a minimum of 20 psi and a maximum of 120 psi.

Use ¼" copper tubing for your water supply which is available at any local hardware or plumbing supply store. Route the ¼" copper tubing to suit your installation being sure not to kink the tubing. Purchase enough copper tubing length to allow a coil to be formed behind the unit for a "service loop" which will allow the appliance to be pulled out from the installation for servicing or cleaning. (See Figure 11). Connect the copper tubing to the "top side" of a cold water pipe to prevent the ice-maker from plugging with sediment.

A shutoff valve is recommended on the water supply line to ease servicing the appliance. **NOTE: A SELF-PIERCING TYPE VALVE IS NOT RECOMMENDED** as they are prone to clogging with sediment which will create pressure drop reducing the water supply to the unit.

Connect the copper tubing water supply to the water valve inlet with the compression nut fitting provided.

**IMPORTANT:** Secure the water supply line to the back of the cabinet with the screw and strain relief clamp provided in the corner of the back panel. (See Figure 11).

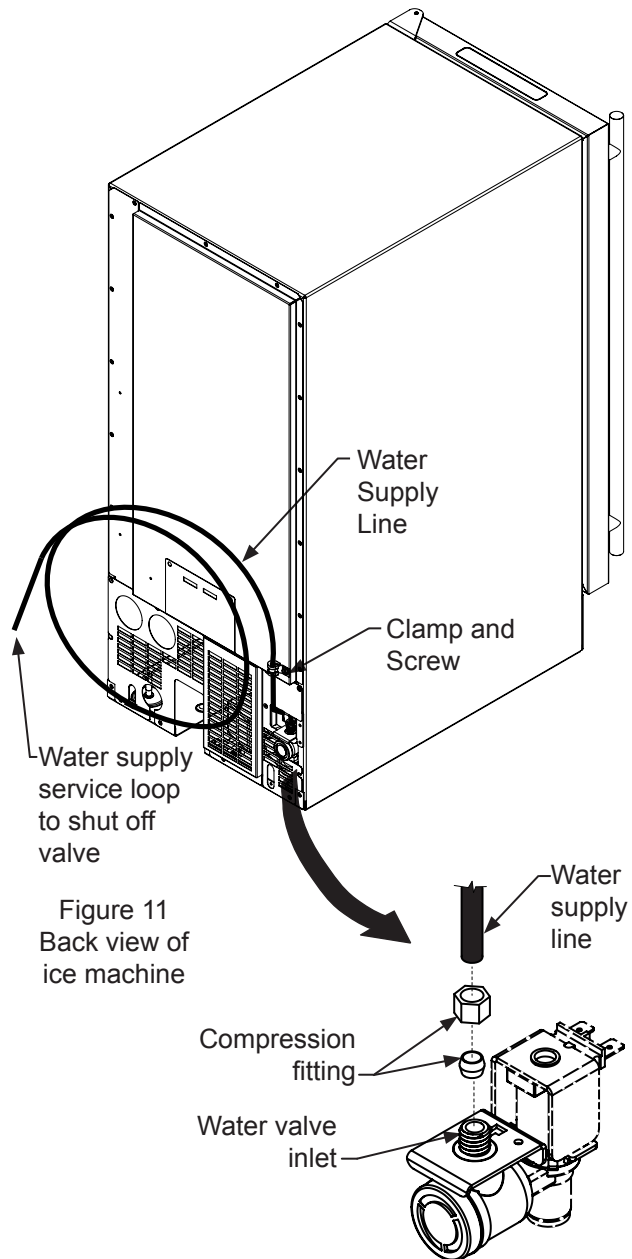
Make certain all connections are watertight after installation. Form the tubing so that it will not vibrate against the cabinet body or kink when your appliance is moved in and out of position.

This ice machine is designed to make clear ice from the majority of water sources on a daily basis. If your results are unsatisfactory, your water may need to be filtered or treated. A water specialist can recommend proper water treatment.

### **CAUTION**

To prevent water leaks:

- The water line fitting is to be used with copper tubing only. Do not use with plastic tubing.
- Do not use any thread sealers on this water line fitting.



### **NOTE**

Reverse osmosis, (RO), water, softened water, and de-ionized water are not recommended as they can adversely affect the quality and quantity of the ice.



## FILLER PANEL KIT (OPTIONAL)

### Filler Panel Kit

This Filler Panel Kit will add 3 inches to the width of the ice machine for installation into an 18 inch wide opening. Order one of the following part numbers for the color you require:

P/N 42242831 White Filler Panel Kit

P/N 42242832 Black Filler Panel Kit

P/N 42242833 Stainless Steel Filler Panel Kit

To order: Call AGA Marvel customer service at 800-223-3900.

Optional Filler Panel kit includes the following:

quantity 2 Cabinet Extensions

quantity 2 Kick plate Extensions

quantity 6 #10 x .50" sheet metal screws

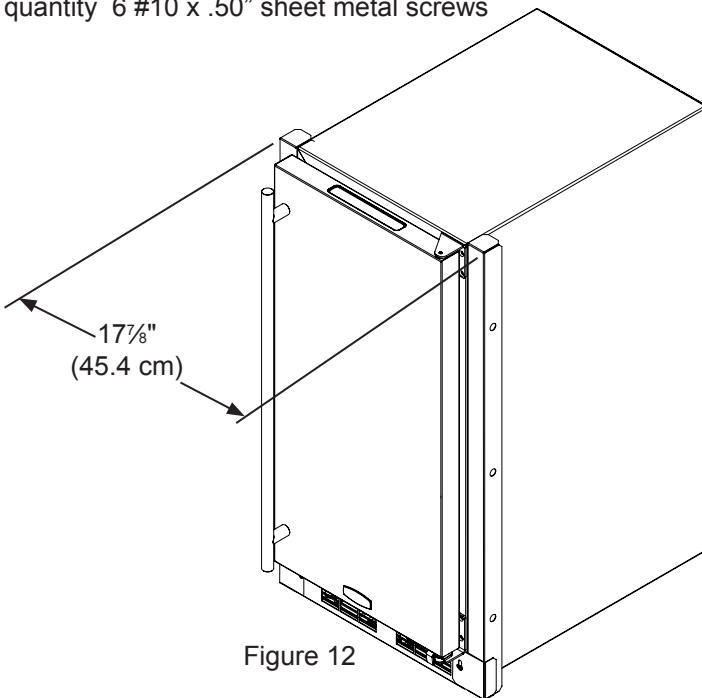


Figure 12

# OPERATION OF THE ICE MACHINE

## The Ice Making Process

Your ice machine is unique in how it forms ice with fractional freezing to form a slab of ice that is clear and has less dissolved solids than the water it is produced from. This is accomplished by running water over the cold evaporator plate (see Figure 13) which gradually freezes the water to produce the ice slab. Pure water freezes first, leaving the dissolved solids in the residual reservoir water to provide clear ice.

When the ice slab reaches the correct thickness, the ice sheet is released and slides onto the grid cutter (see Figure 15). Here, the ice slab is cut into squares by the grid cutter's heated wires (see Figure 16). The water containing the dissolved minerals is drained after each freezing cycle. Fresh water enters the machine for the next ice making cycle.

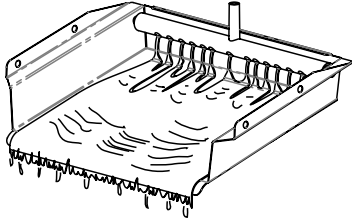


Figure 13

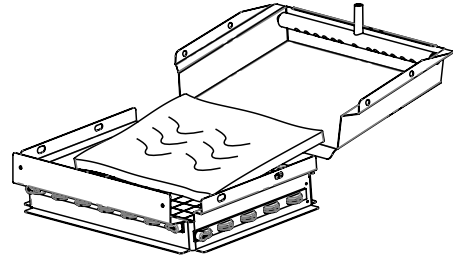


Figure 15

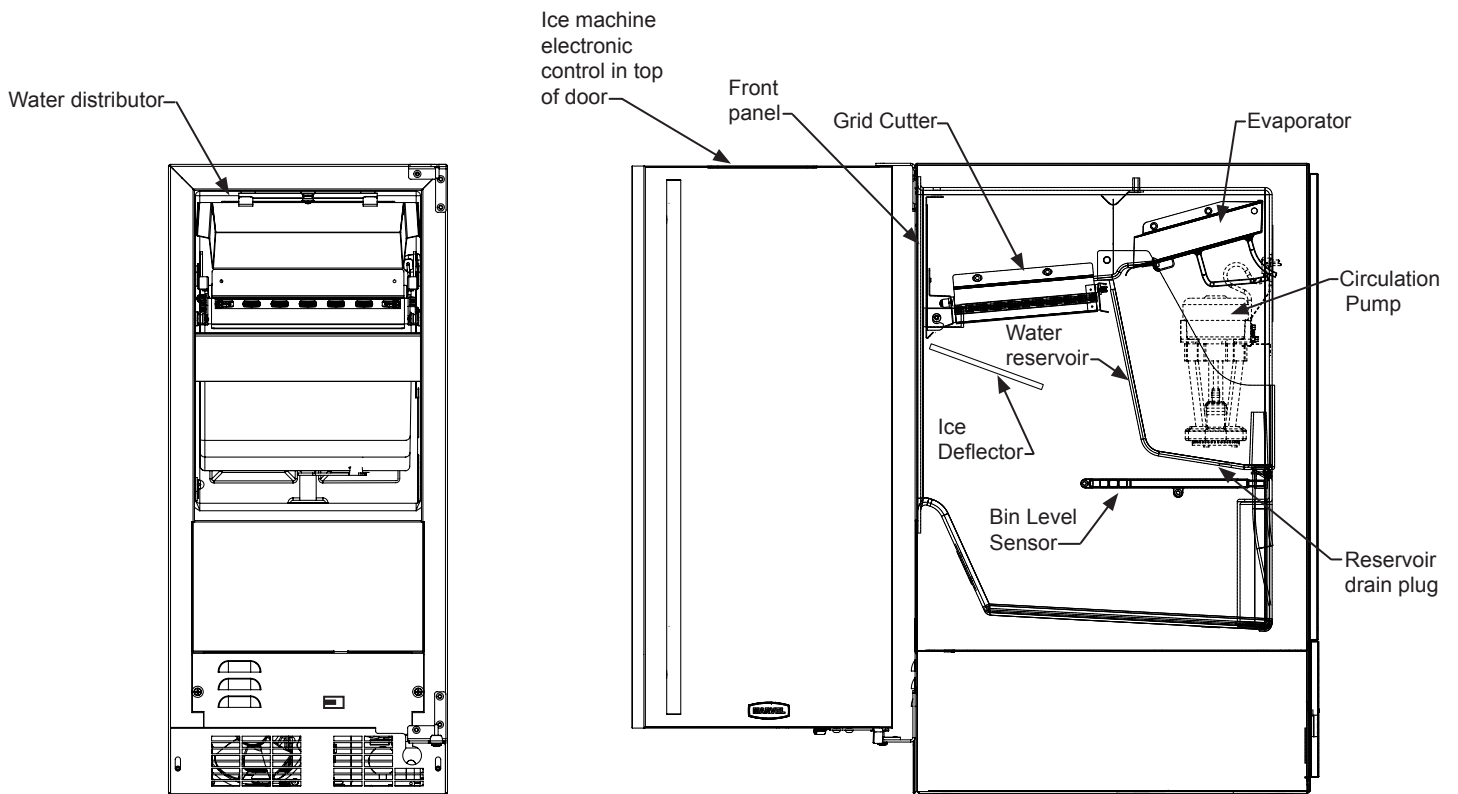


Figure 14

## OPERATION OF ICE MACHINE

The ice machine will keep producing ice until the ice machine's bin is full and will restart automatically when ice needs to be replenished in the bin. The ice bin is not refrigerated, and some melting will occur by design to preserve the ice quality and clarity. Allow your ice machine to run for 24-48 hours to accumulate ice in the ice machine's bin.

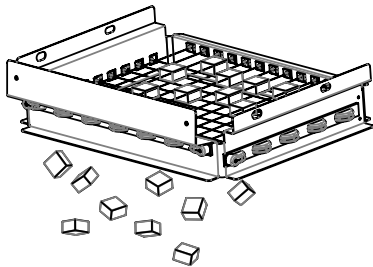


Figure 16

The bin level sensor is located in the ice bin, it senses when the ice supply is low or full and starts or stops the ice making process accordingly.

### NOTE

If the water supply is turned off to the ice machine be sure to set the electronic control to the "OFF" position or remove power to the unit.

### Ice Production

In normal mode the ice machine will produce up to 39 pounds (17.7 kg) of clear ice in a 24-hour period when installed in a 72°F ambient with a 55°F water supply. In "ECO" mode (see page 16) the ice machine will produce up to 29 pounds (13.2 kg) of clear ice in the 24 hour period.

### NOTE

"Initial" ice production and ice accumulated in the storage bin will vary significantly. This is normal. During the first 24-hours of operation the unit will produce up to 39 lbs of ice at the above ambient and water temperature conditions, but when starting with an empty ice storage bin, the storage bin may only accumulate up to 18 lbs of ice. By design, the ice storage bin is maintained at a temperature slightly above freezing to allow the stored ice to slowly melt, to preserve the ice quality and clarity and assure a constant supply of fresh ice. As ice is accumulated in the bin, the ice production rate will overcome the ice melt and the storage bin will fill to capacity.

### New Sounds

The ice machine will make sounds that are different than your household refrigerator. Because these sounds are new to you they may be of a concern but are most likely normal. The ice production process will make noises that are not typical in a refrigeration product, ice falling onto hard surfaces, water cascading across the evaporator, and valves opening and closing. Following are some of the sounds that you may hear:

A buzzing sound will be heard when the water valve opens to fill the water reservoir.

A rattling noise which could be water flowing through the water line.

A splashing sound when water is flowing over the evaporator plate and into the water reservoir.

A "thud" when the ice slab is released from the evaporator plate and slides onto the grid cutter.

"Clicks" when the cubes fall into the ice storage bin.

A gurgling sound which is refrigerant flowing in the ice machine.

An air noise from the condenser fan.

# PRODUCT DIMENSIONS

MODEL	ROUGH-IN OPENING DIMENSIONS			CABINET DIMENSIONS					
	"A"	"B"	"C"	"D"	"E"	"F"	"G"	"H"	"J"
ML15C*S	15" (38.1 cm)	**34" to 35" (86.4 to 88.9 cm)	24" (61 cm)	14 <sup>7</sup> / <sub>8</sub> " (37.8 cm)	33 <sup>3</sup> / <sub>4</sub> " to 34 <sup>3</sup> / <sub>4</sub> " (85.7 to 88.3 cm)	23 <sup>5</sup> / <sub>8</sub> " (60 cm)	25 <sup>9</sup> / <sub>16</sub> " (64.9 cm)	37 <sup>13</sup> / <sub>32</sub> " (95 cm)	16 <sup>11</sup> / <sub>16</sub> " (42.4 cm)
ML15C*P	15" (38.1 cm)	**34 <sup>1</sup> / <sub>4</sub> " to 35 <sup>1</sup> / <sub>4</sub> " (87 to 89.5 cm)	*24" (61 cm)	14 <sup>7</sup> / <sub>8</sub> " (37.8 cm)	34" to 35" (86.4 to 88.9 cm)	22 <sup>15</sup> / <sub>16</sub> " (58.3 cm)	-	38 <sup>5</sup> / <sub>8</sub> " (98.1 cm)	14 <sup>1</sup> / <sub>8</sub> " (35.9 cm)

DOOR STYLE
(S) Solid Door
(P) Solid Overlay Door (no handle)

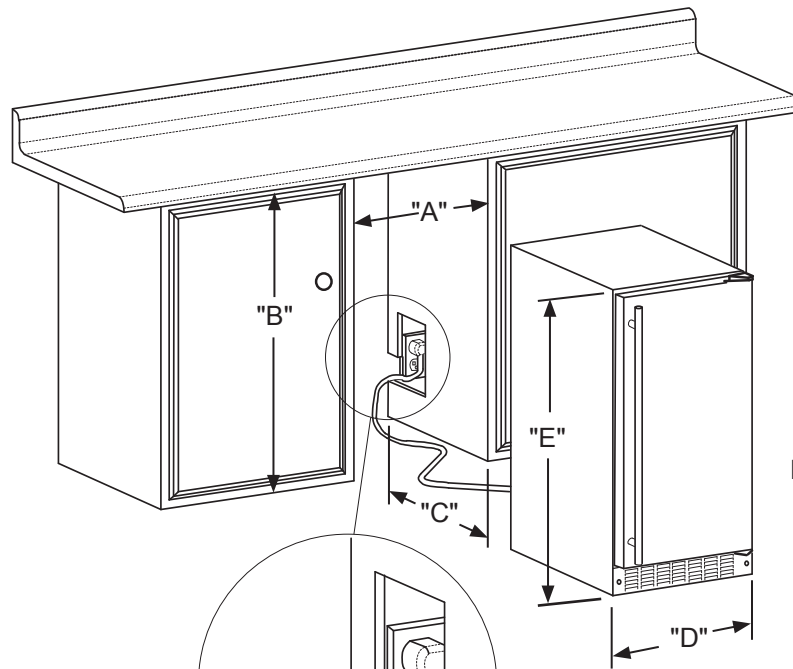
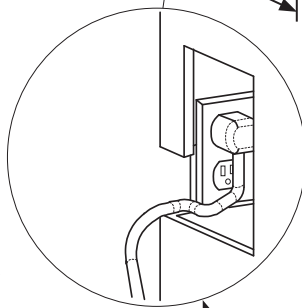


Figure 17

Figure 17a



If necessary to gain clearance inside the rough-in opening a hole can be cut through the adjacent cabinet and the power cord routed through this hole to a power outlet. Another way to increase the available opening depth is to recess the power outlet into the rear wall to gain the thickness of the power cord plug. Not all recessed outlet boxes will work for this application as they are too narrow, but a recessed outlet box equivalent to Arlington #DVFR1W is recommended for this application, (see Figure 18).



Figure 18

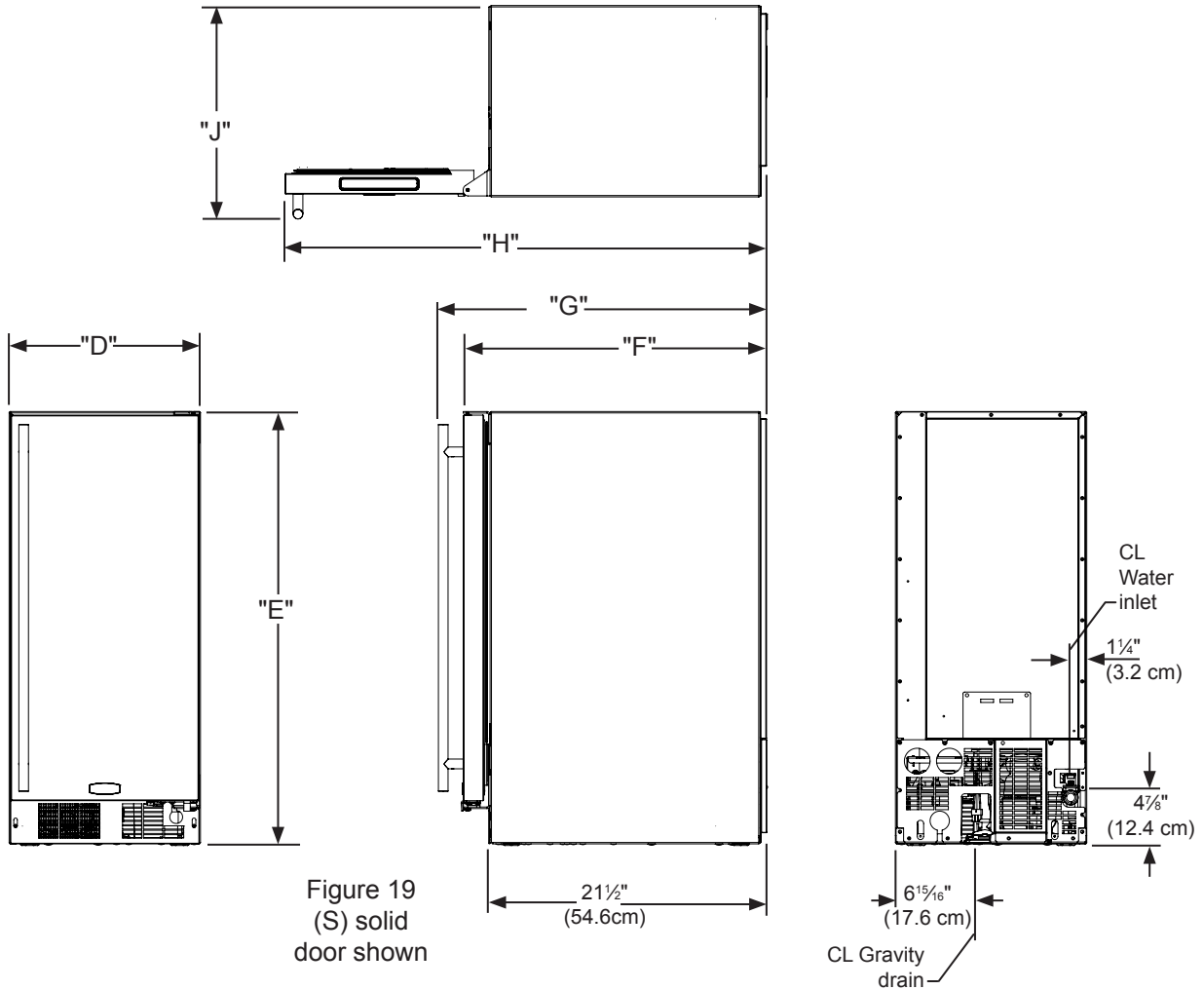
# PRODUCT DIMENSIONS

PRODUCT DATA		
MODEL	ELECTRICAL REQUIREMENTS #	PRODUCT WEIGHT
ML15C*S	115V/60Hz/15A	105 lbs (47.7 kg)
ML15C*P	115V/60Hz/15A	105 lbs (47.7 kg)

\* To install ML15C\*P model with the door face flush with the adjacent cabinet doors, custom decorative panel thickness cannot exceed 3/4" (19 mm).

\*\* Minimum rough-in opening required is to be larger than the adjusted height of the cabinet.

# A grounded 15 amp dedicated circuit is required. Follow all local building codes when installing electrical and appliance.



# USING YOUR ELECTRONIC CONTROL

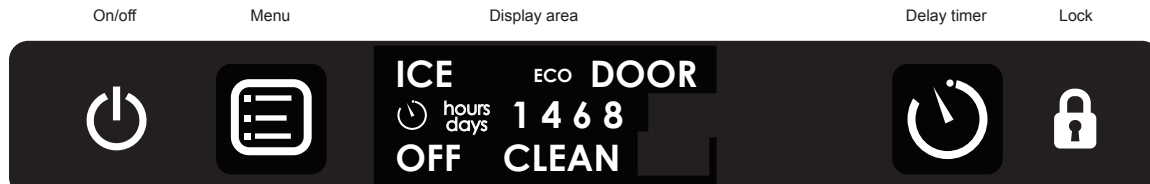


Figure 20  
User interface display

## Display icons:



"ON/OFF" icon : used for turning the appliance on and off.



"MENU" icon : used to access optional functions in the user interface.



"Clock" icon : used to enter the Delay start/vacation mode.



"LOCK" icon : used to lock out functions in the user interface.

## Display area text:

**ICE**

Signifies the appliance is on and producing ice.

**ECO**

Signifies the appliance is in economical ice production mode.

**OFF**

Signifies the appliance is off

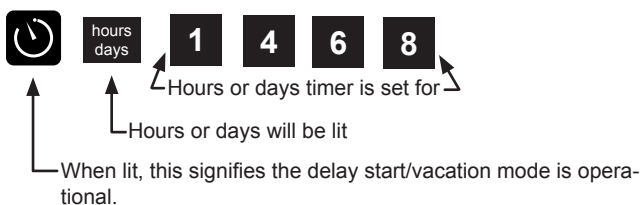
**DOOR**

Signifies a door ajar alarm condition.

**CLEAN**

Cleaning is recommended or the appliance is in the clean mode.

## Delay start/Vacation mode:



## NOTE

The control display is covered with a clear plastic protective film. This film may be removed by carefully lifting at a corner.

## Starting your clear ice machine:

Plug the ice machine into a 115 volt wall outlet, (see page 5 for electrical information). Your appliance is shipped from the factory in the "ICE" mode and will begin start-up of ice production after the start-up routine.

**ICE**

Upon applying power to the unit, or after a power interruption, the Ice machine will perform a self-test, followed by a harvest cycle to clear any in-process ice production. This start-up routine, ("after power is applied to the unit"), takes approximately 13 minutes to complete before an ice production cycle starts.

If the appliance does not start, confirm the wall outlet has power, and the control is in the "ICE" mode, (see Options section below). Do not start the ice machine in "ECO" mode. "ECO" mode should only be used after there is a full bin of ice.

## Turning your ice machine On and Off:

If your appliance is on, "ICE" will be displayed. To turn the appliance off, push and hold the "ON/OFF" icon for 3-seconds. The display will show "OFF" .

**ICE**



**OFF**



**ICE**

## NOTE

When turned off, the ice machine will complete its current ice production cycle then shut off.

The drain pump (if equipped) and the interior light will still be functioning during the OFF mode. To turn the appliance back on, press and hold the "ON/OFF" icon for 3-seconds, the display will show "ICE".

## USING YOUR ELECTRONIC CONTROL

### **WARNING**

Turning the ice machine "OFF" will only terminate the ice production, it does not remove power from the appliance. Always unplug the power cord from the wall outlet before servicing the unit.

### **Delay start/Vacation mode:**

Your ice machine is equipped with a delay start function. This feature can be used to temporarily shut the appliance off for 1, 4, 6, or 8 hours or days. Upon completion of the selected delay period, the appliance will resume operation. This is ideal for temporarily stopping ice machine noises or to save water and electricity if you are away from home but want fresh ice upon your return.

To enter the delay start mode, press the "CLOCK" icon while the appliance is in "ICE" mode. This will delay the next harvest by the time displayed. Each additional press of the "CLOCK" icon will add time, from 1, 4, 6, or 8 hours, to 1, 4, 6, or 8 days. The next press after 8 days will leave delay set mode. After the desired time has been selected, press the "ON/OFF" icon for 2 seconds to accept, your unit will shut off and a clock icon and your selected time will be displayed. When the selected time has elapsed, normal ice production will resume.



hours  
days



To cancel the delayed start, press and hold the "ON/OFF" icon until the appliance enters OFF, then press and hold the "ON/OFF" icon again until the appliance enters "ICE" mode.



### **Clean reminder:**

A "CLEAN" reminder will occur every 6 months to remind you that it may be time to clean your appliance. Over time mineral build up on the cold evaporator plate can occur which can adversely affect the quality of your ice. This build-up is dependent on your water source and usage. Normal ice production will continue while the "CLEAN" reminder is displayed. You may clear the "CLEAN" reminder at any time by momentarily pressing the "ON/OFF" icon. When reset, the "CLEAN" reminder will reset and not occur for another 6 months. If you choose to clean the appliance at this time, see the options menu section below.



### **Control Lock:**

The user interface can be locked to avoid unintentional changes from things like cleaning. To lock the appliance, push and hold the "LOCK" icon for 5-seconds. The "LOCK" icon will flash 3 times, then change to steady back-lit. To unlock the user interface, press and hold the "LOCK" icon for 5-seconds, and the back-light will turn off.



### **NOTE**

The "LOCK" icon is the only active key in this mode. If other icons are pressed while in the lock mode the "LOCK" icon will flash 3 times, and an audible tone will sound, to remind the user the appliance is in the lock mode.

### **Door ajar alarm:**

If the door is open, or not closed properly for 5 minutes the "DOOR" indicator will illuminate and flash and an audible tone will sound. The audible alarm can be muted by pressing the "Lock" keypad. This alarm condition can be reset by closing the door or momentarily pressing the "ON/OFF" icon, (i.e.-if you are cleaning the storage compartment, etc.). The alarm will recur in 5 minutes if the alarm condition persists.



### **Error codes:**

The ice machine is monitored continuously. Any OPEN or SHORTED circuit condition with a temperature sensor or miscommunications between the control and user interface will initiate an ERROR CODE as listed below:

Error Codes			
Error	Displayed Code	Error Description	Action to Take
Bin Sensor error	"OFF" will flash continuously in 1 second intervals in the display. No audible alarm will sound.	Failed temperature sensor. Machine operation will immediately enter an OFF state.	Call service to have the temperature sensor replaced.
System Sensor error	"ICE" will flash continuously in the display. No audible alarm will sound.	Failed condenser temperature sensor. Machine operation will continue but ice production cycle will not adapt to varying ambient conditions, so ice quality may vary.	Call service to have the temperature sensor replaced.
Communication error	Continual flashing of all indicators on the display.	Loss of communication between the main board and the user interface.	Call service to have a diagnostic check.

# CLEANING YOUR ICE MACHINE

## Options menu:

### Normal and ECO mode:

Your ice machine comes with an optional "ECO" mode. While in this mode ice production will slow and the appliance will use less water and electricity. "ECO" mode should only be initiated after there is a full bin of ice. To enter "ECO" mode do the following:

- Press the "MENU" icon twice and the green "ECO" will flash.
- Press and hold the "ON/OFF" icon until the green "ECO" stops flashing and remains illuminated.
- To return to the standard operating rate press the "MENU" icon twice, the ECO will turn off and the "ICE" will be flashing. Press and hold the "ON/OFF" icon until the "ICE" stops flashing and remains illuminated.



ECO



ICE

### Once you have your cleaner:

Turn the ice machine off by pressing and holding the "ON/OFF" icon for 3 seconds. "OFF" will be displayed on the control.



OFF

Follow the following three step procedure for removing the grid cutter cover from the ice machine, Refer to Figures 23 and 24:

- ①-pull out on this corner first to remove the cover corner from the mounting peg.
- ②-pull out on this corner next to remove it from the mounting peg.
- ③-reach behind cover and push cover towards you to remove cover from the center mounting peg.

Remove all ice from the ice bin, (see Figure 24). Drain the water from the water reservoir, by removing the black plug from the bottom of the fresh water reservoir. (See Figure 25). After the water is drained replace the plug in the bottom of the reservoir.

Allow all of the ice to fall from the evaporator plate and remove any ice from the grid cutter. If there is ice embedded in the grid cutter wires, wait for it to melt and fall out. **Do not try to remove ice that is embedded in the grid cutter wires as that may break the wires.** (See Figures 21 and 22).

### Clean mode:

To ensure maximum performance and ice quality, it is recommended to clean your ice machine once every six months.



CAUTION

Use only approved ice machine cleaners and be sure to follow all label warnings and directions. Incorrect chemical usage, and any damage or injury that may result, is not covered by warranty.

NOTE

For reference see our "Care and Cleaning video" at the website: [www.marvelrefrigeration.com](http://www.marvelrefrigeration.com).

To clean your ice machine you will need to purchase a "nickel safe" ice maker cleaner. Cleaner can be obtained by contacting AGA Marvel customer service at 800-223-3900 or are available at most appliance retailers or through the cleaners website. Several recommended cleaners are listed below:

- Kirby's Certified ice machine cleaner. 100% nickel safe.
- Nu-Calgon nickel safe ice machine cleaner.
- Franklin Machine Products Nickel safe ice machine cleaner.



CAUTION

Forcing ice through the grid cutter will break the grid cutter wires.

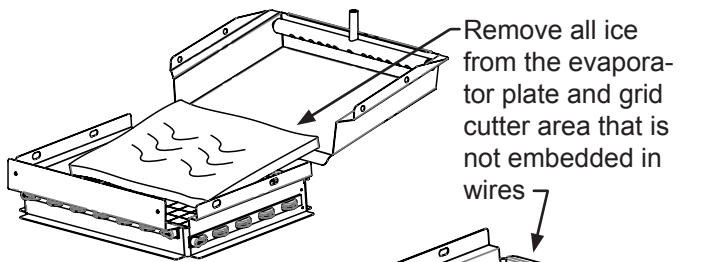


Figure 21

Figure 22



# CLEANING YOUR ICE MACHINE

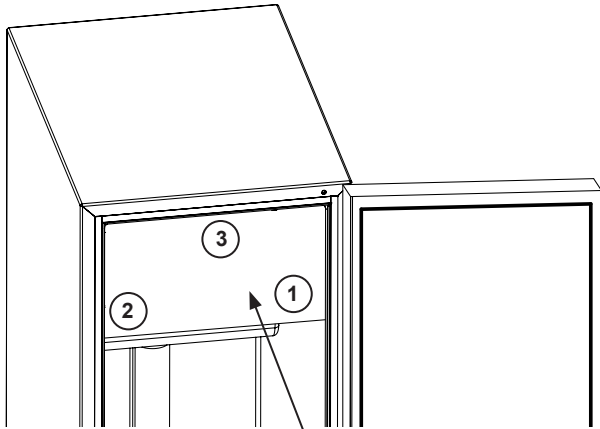


Figure 23 Remove the grid cutter cover



Remove all of the ice from the ice bin

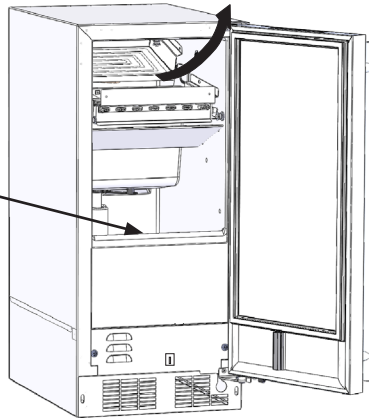


Figure 24

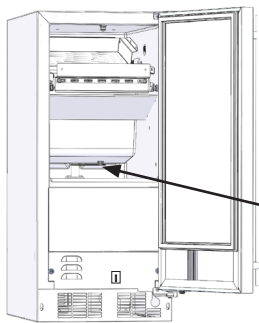


Figure 25

Remove the black reservoir drain plug from the bottom of the reservoir.

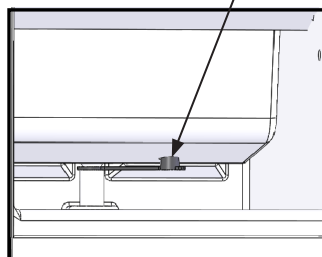


Figure 25b

Refer to your cleaning solution instructions to determine the proper amount of cleaning solution to add based on 2 quarts (1.9 liters) of water. Remove the plastic splash shield to improve access. (See Figure 26). Pour the cleaning solution slowly on the evaporator plate so it flows down into the fresh water reservoir. (See Figure 27).

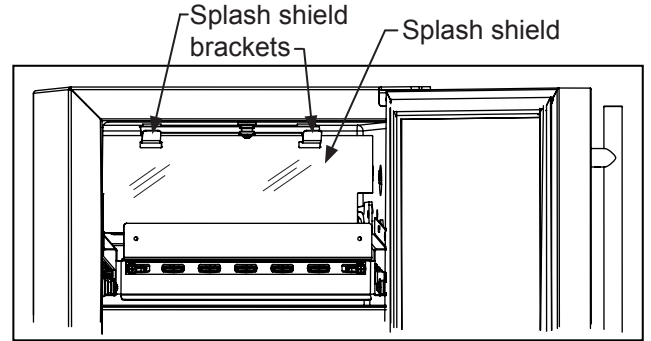


Figure 26

Replace the splash shield if removed.

Turn the ice machine back on by pressing and holding the "ON/OFF" icon for 3 seconds. The display will indicate "ICE" mode. Press and hold the "MENU" icon until a flashing "CLEAN" is displayed. Press the "ON/OFF" icon until "CLEAN" stops flashing. Your ice machine will now enter the clean cycle.



ICE



CLEAN

The clean and rinse cycle will take about 49 minutes.

After the clean cycle is complete the ice machine will return to the "OFF" position.

OFF

After the cleaning cycle is completed, verify that all build-up has been removed. If not repeat the clean cycle procedure.

Pour cleaning solution slowly onto the front edge of evaporator plate behind the grid cutter.

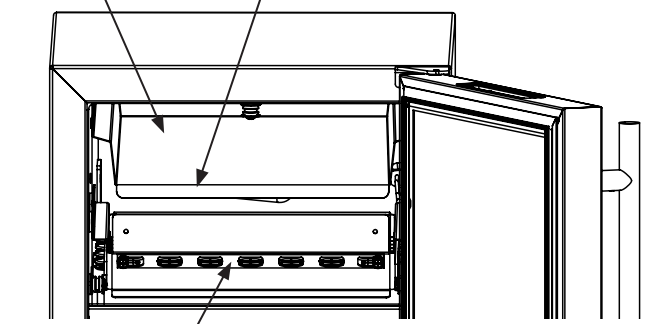


Figure 27

## OVERLAY DOOR PANEL INSTALLATION

### NOTE

#### Canceling clean mode:

To exit clean mode press and hold the "ON/OFF" icon until "OFF" is displayed. Wait 3 minutes for clean mode to complete its cancel routine before turning unit back on by pressing and holding the "ON/OFF" icon. If you turn the unit back on before the 3 minutes has elapsed, the display will show "CLEAN" and the unit will shut itself off upon completion of the 3 minute clean cancel routine.

### WARNING

If you cancel clean mode after adding ice maker cleaner, you must re-start cleaning and allow clean cycle to complete to remove the cleaning solution before resuming ice production.

**Optional:** After the cleaning cycle has been completed, you may wash the interior with a mild detergent / dish soap or a solution of two tablespoons of baking soda and one quart of water. Rinse with clean water.

Replace the grid cutter cover.

### CAUTION

Do not use bleach based cleaners or any abrasive cleaning products. Chlorine based cleaners will attack the stainless steel, making it susceptible to corrosion.

Your ice machine is now ready to restart. Press and hold the "ON/OFF" icon for 3 seconds until "ICE" is displayed.



ICE

### NOTE

After cleaning it is recommended you discard the ice produced after 3 hours of ice production.

If you purchased an overlay panel model, your unit is equipped with articulated hinges to allow fully integrated built-in installations. Custom panel thicknesses of  $\frac{5}{8}$ " (15 mm) and  $\frac{3}{4}$ " (18 mm) are accommodated.

### CAUTION

It is important to use the factory provided grille that came with the product to assure proper air flow is maintained through the condenser. The use of a custom grille is not recommended and will void the warranty.

### WARNING

Overlay panel models are designed for use with **built-in installations only**. Use in freestanding installations could result in personal injury.

#### Step 1: Removing the Door

With a phillips screwdriver remove the screw and "P" clamp from the bottom of the door near the hinge. See Figure 28b.

Disconnect the door wire harness by pressing and holding down the locking tab on the wire connector and pulling the connector apart. See Figure 29.

Open the door and loosen the screws holding the hinges to the cabinet (2 at the top and 2 at the bottom hinge). Do not remove the screws but loosen them enough so the hinges can be slipped off of the screws when sliding the door to the side.

### WARNING

The articulated hinges have many pinch points. Carefully close / collapse the hinges as soon as the door is removed from the cabinet.

With a helper, and being careful not to scratch the cabinet or the door, slide the door to the side about  $\frac{1}{2}$  inch and remove the hinges and door from the unit.

### WARNING

Use extreme caution with the articulated hinges. The hinge is self closing and many pinch points exist prior to built-in installation. **Do not remove the cabinet "Z" bracket from the top of the cabinet.**

# OVERLAY DOOR PANEL INSTALLATION

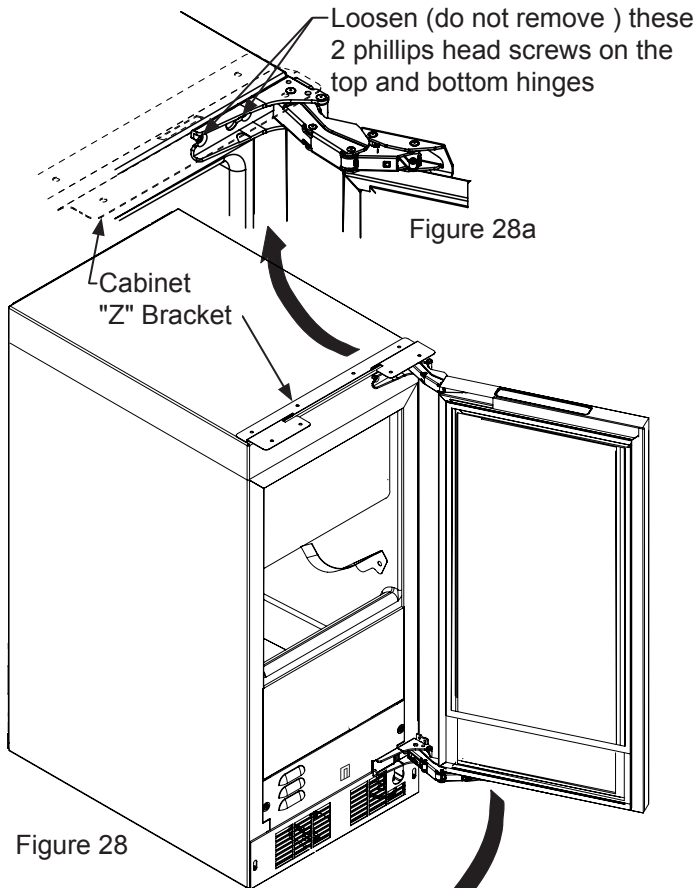


Figure 28a

Figure 28

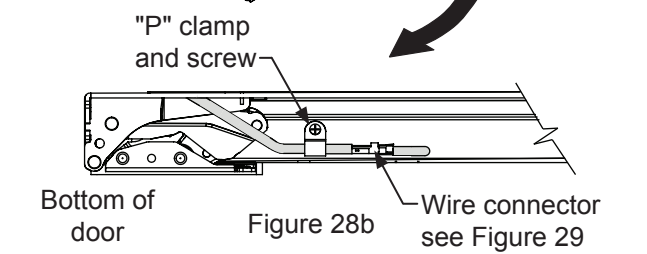


Figure 28b

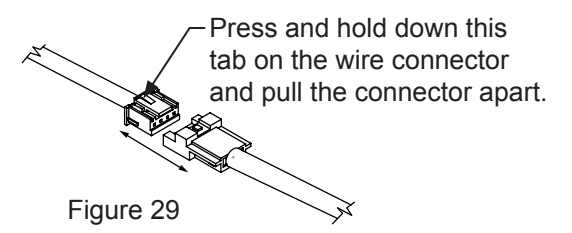


Figure 29

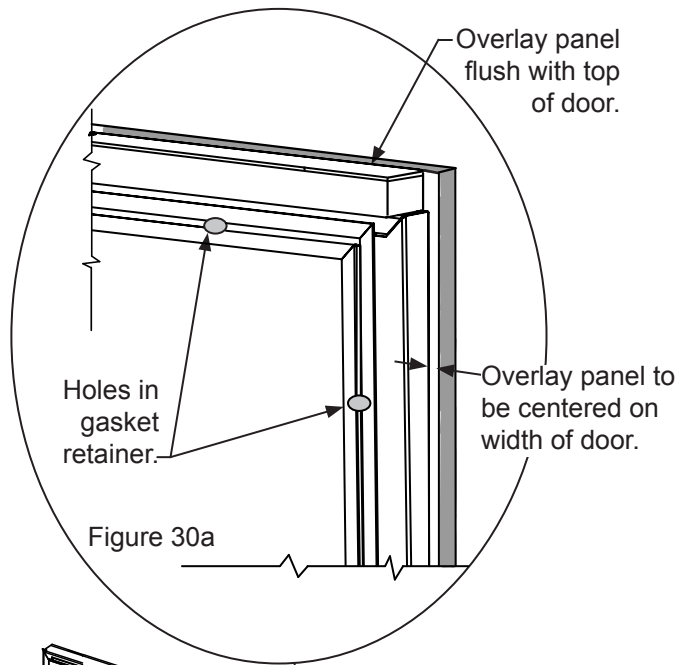


Figure 30a

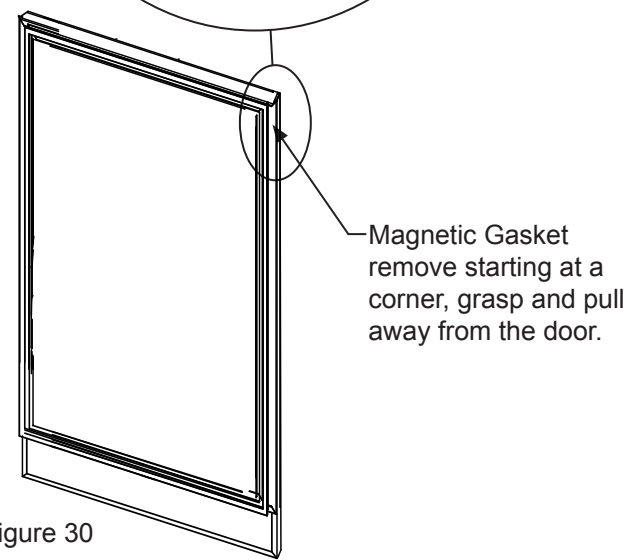


Figure 30

**CAUTION**

Weight of overlay door panel must not exceed 15 pounds (6.8 kg).

## Step 2: Remove the door gasket

With the door laying on a flat surface and starting at a corner of the door remove the magnetic door gasket from it's retainer by pulling it away from the interior side of the door, see Figure 30. Set the gasket aside on a flat surface.

There are 10 holes in the gasket retainer extrusions, (3 on each side and 2 at the top and bottom which are used to fasten the panel to the front of the door. The screws are provided in the literature pack.

## Step 3: Cut and drill the overlay panel

Depending on your model cut the overlay door panel to the dimensions shown in Figures 31 to 34.

# OVERLAY DOOR PANEL INSTALLATION

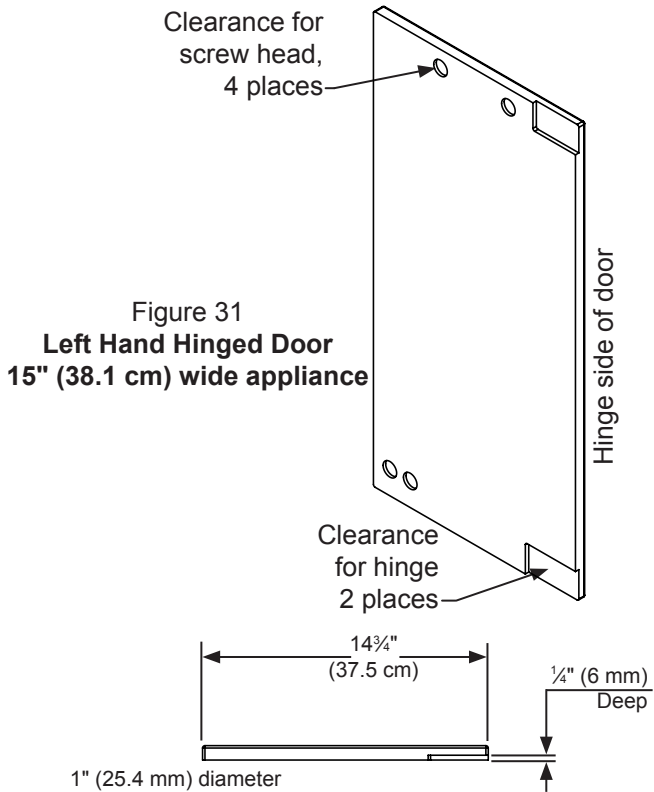


Figure 31  
Left Hand Hinged Door  
15" (38.1 cm) wide appliance

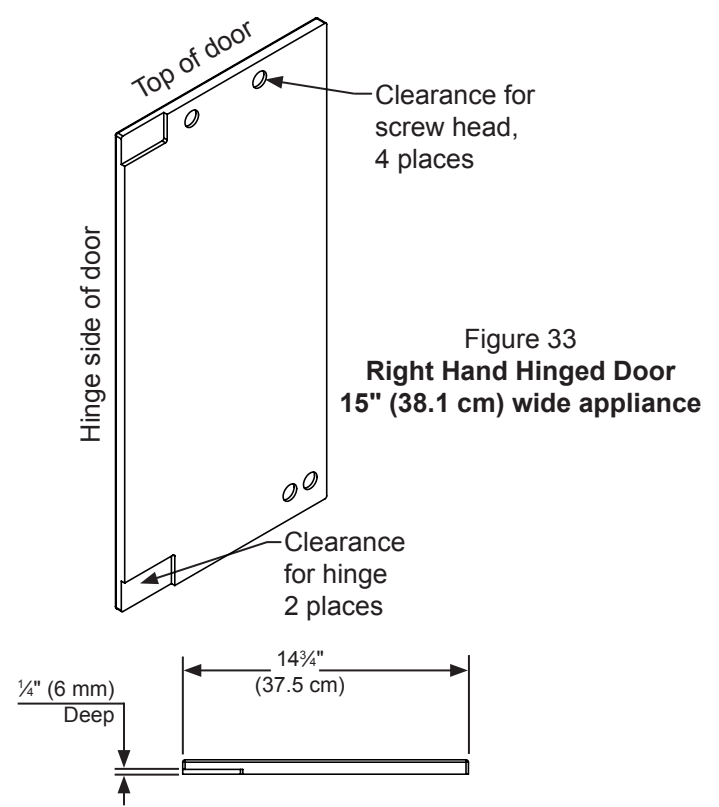


Figure 33  
Right Hand Hinged Door  
15" (38.1 cm) wide appliance

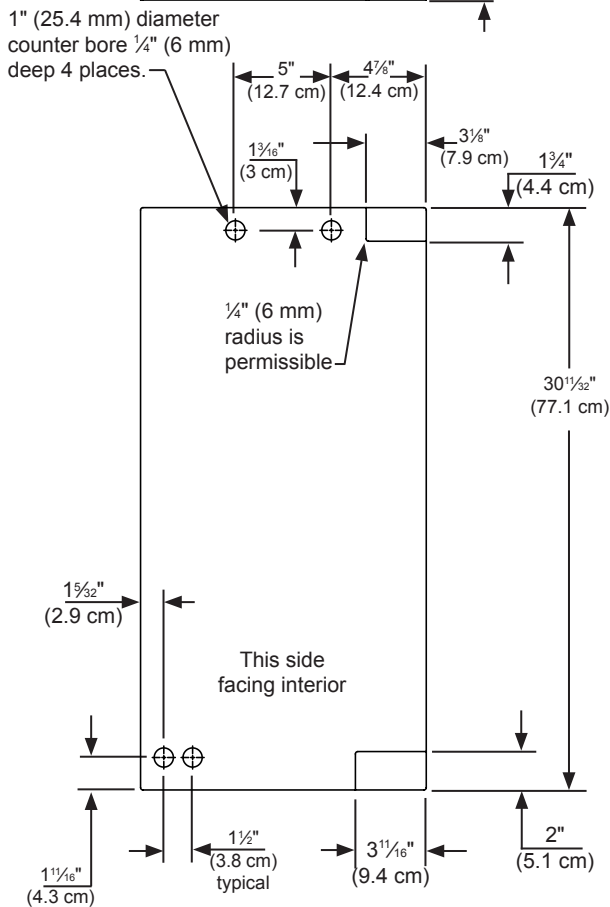


Figure 32  
Left Hand Hinged Door  
15" (38.1 cm) Wide Appliance

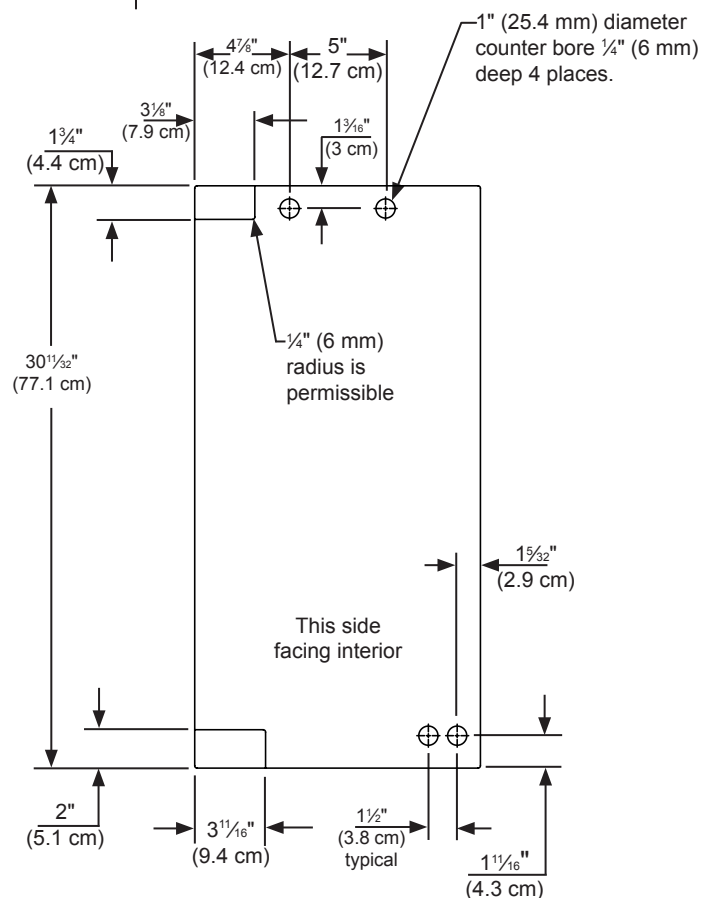


Figure 34  
Right Hand Hinged Door  
15" (38.1 cm) wide appliance

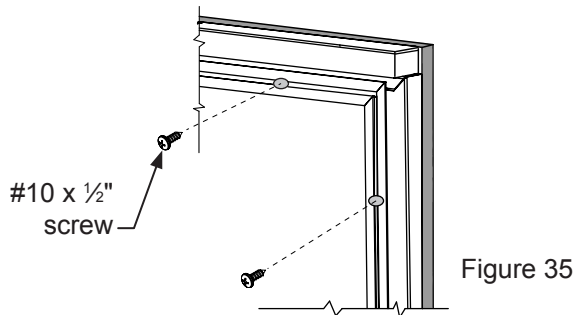
# OVERLAY DOOR PANEL INSTALLATION

Material Type	#10 Wood Screw
Hardwood	1/8" (3.2 mm) Diameter Pilot Hole
Softwood	7/64 (2.8 mm) Diameter Pilot Hole

Table B

## Step 4: Assemble the panel to the door

The preferred method of attaching the panel to the door is to clamp the panel to the door so it cannot move while drilling the screw pilot holes. Use bar clamps or "C" clamps with pads on the clamping surfaces that will not mar the panel or the door. The custom overlay panel should be flush with the top of the door and centered along the width of the door. See Figure 30a. Drill holes through the gasket extrusion using the 10 holes as pilot holes. Use the drill size from the chart in Table "B", being careful not to drill through the front surface of the panel. If the overlay panel is thinner than 5/8" (16 mm) thick shorter screws will have to be obtained. Fasten the panel to the door with the 10 screws provided in the literature pack. (See Figure 35). Remove the clamps and replace the gasket in the gasket extrusion channels of the door. Some force may be required to seat the gasket into the channels. Be sure the gasket corners are seated properly.

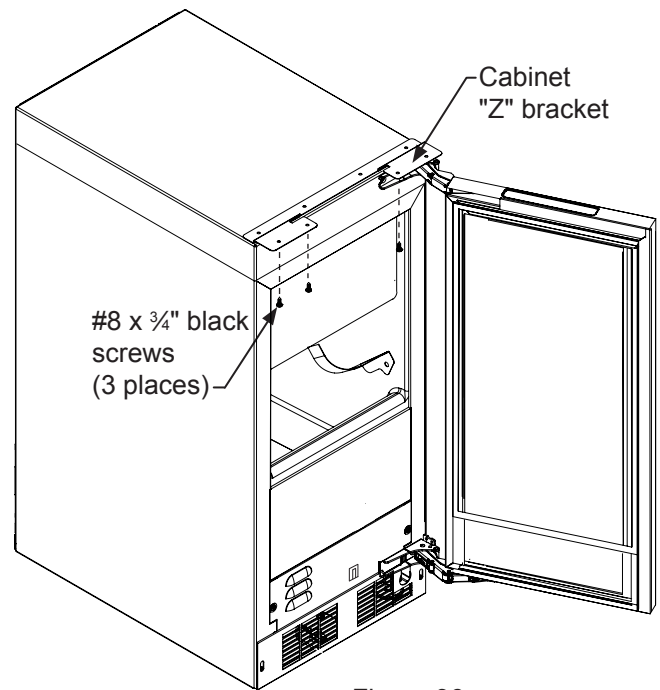


## Step 5: Install the door

Carefully open the top and bottom hinges on the door being careful as there are many pinch points. Place the hinges over the 4 screws in the cabinet, 2 at the top and 2 at the bottom and slide the door into position. Tighten the 4 hinge screws with a phillips screwdriver. (See Figures 28 and 28a). Place wire harness from the grille and mount to the bottom of the door with the screw and "P" clamp removed in step 1. (See Figure 28b). Reconnect the wire harness, (See Figure 29).

## Step 6: Secure the cabinet

Use the #8 x 3/4" black screws from the literature pack to secure the counter top to the cabinet top through the holes in the cabinet "Z" bracket.



## CARE AND CLEANING AND ENERGY SAVING TIPS

### Front Grille

Be sure that nothing obstructs the required air flow openings in front of the cabinet. At least once or twice a year, brush or vacuum lint and dirt from the front grille area (see page 4).



### CAUTION

**SHOCK HAZARD:** Disconnect electrical power from the appliance before cleaning with soap and water.

### Cabinet

The painted cabinet can be washed with either a mild soap and water and thoroughly rinsed with clear water. NEVER use abrasive scouring cleaners.

### Interior

Wash interior compartment with mild soap and water. Do NOT use an abrasive cleaner, solvent, polish cleaner, undiluted detergent or chlorine based cleaners.

### Care of Appliance

1. Avoid leaning on the door, you may bend the door hinges or tip the appliance.
2. Exercise caution when sweeping, vacuuming or mopping near the front of the appliance. Damage to the grille can occur.
3. Periodically clean the interior of the appliance as needed.
4. Periodically check and/or clean the front grille as needed.

### In the Event of a Power Failure

If a power failure occurs, try to correct it as soon as possible. Minimize the number of door openings while the power is off so as not to adversely affect the appliance's temperature.

### Light assembly replacement

All models use LED lamps to illuminate the interior of the appliance. This component is very reliable, but should one fail, contact a qualified service technician for replacement of the LED.

### Energy Saving Tips

**The following suggestions will minimize the cost of operating your ice machine appliance.**

1. Do not install your appliance next to a hot appliance, (stove, dishwasher, etc.). heating air duct, or other heat sources.
2. Install product out of direct sunlight.
3. Assure the front grille vents at front of the ice machine beneath the door are not obstructed and kept clean to allow ventilation for the refrigeration system to expel heat.
4. Plug your appliance into a dedicated power circuit. (Not shared with other appliances).
5. Minimize door openings and duration of door openings.
6. Set the control to the "off" position if accessing the interior to spot clean or remove large quantities of ice requires the door to be open for an extended period of time.
7. Use ECO mode if maximum ice production quantities are not required.
8. Use the delay start function if the ice machine will not be used for long periods of time.

## OBTAINING SERVICE

---

### If Service is Required:

- If the product is within the first year warranty period please contact your dealer or call AGA MARVEL Customer Service at 800.223.3900 for directions on how to obtain warranty coverage in your area.
- If the product is outside the first year warranty period, AGA MARVEL Customer Service can provide recommendations of service centers in your area. A listing of authorized service centers is also available at [www.agamarvel.com](http://www.agamarvel.com) under the service and support section.
- In all correspondence regarding service, be sure to give the service number, serial number, and proof of purchase.
- Try to have information or description of nature of the problem, how long the appliance has been running, the room temperature, and any additional information that may be helpful in quickly solving the problem.
- Table "C" is provided for recording pertinent information regarding your product for future reference.

For Your Records	
Date of Purchase	
Dealer's name	
Dealer's Address	
Dealer's City	
Dealer's State	
Dealer's Zip Code	
Appliance Serial Number	
Appliance Service Number	
Date Warranty Card Sent (Must be within 10 days of purchase).	

Table C

# TROUBLESHOOTING THE ICE MACHINE

## Before You Call for Service

If the appliance appears to be malfunctioning, read through this manual first. If the problem persists, check the troubleshooting guide below. Locate the problem in the guide and refer to the cause and its remedy before calling for service. The problem may be something very simple that can be solved without a service call. However, it may be required to contact your dealer or a qualified service technician.

## Troubleshooting guide:

### Ice Machine Operation

#### Ice machine does not operate

**Is the ice machine's power cord plugged in?** Plug the power cord into a grounded 3 prong outlet.

**Is the electronic control showing the "ICE" position?** Check the control to be sure it is in the "ICE" position.

**Is a fuse blown or a circuit breaker been tripped?** Replace a blown fuse or reset a tripped circuit breaker.

**Is the temperature of the room cooler than it normally is?** The minimum room temperature is 55°F (13°C). The bin thermistor may be sensing the room temperature and shut off before the bin is full of ice. If the room temperature remains low the ice machine may not restart.

**Is there a drain pump in the ice machine?** The drain pump is designed to temporarily shut the unit off when large quantities of water create a high-limit condition. Wait a few minutes as the drain pump will continue to operate to dispose of the excess water. If there is still water in the ice bin check the drain pump vent line and drain line for obstructions or kinking.

#### The ice machine is noisy

Many sounds of an ice machine are different than your household refrigerator. This subject is discussed on page 11, but check the following:

**Do you hear water being circulated in the ice machine?** This is a normal sound as water is added once every ice making cycle.

**Is there a "whoosing" sound?** Make sure water is getting to the ice machine. Also check to make sure the drain plug is fully seated in the water reservoir.

**Is there an ice slab caught between the evaporator plate and the grid cutter?** First check to see if the ice machine is level. If the ice machine is level run a cleaning cycle.



## WARNING

### Electrocution Hazard

- Never attempt to repair or perform maintenance on the appliance until the main electrical power has been disconnected. Turning the appliance control "OFF" does not remove electrical power from the unit's wiring.
- Replace all parts and panels before operating.

### Ice Production

#### Little or no ice production from the ice machine

**Is the electronic control set to the "ICE" position?** Check the control to be sure it is in the "ICE" position.

**Is water getting to the ice machine?** Make sure nothing is restricting the water supply such as a closed water valve or a blown fuse or tripped circuit breaker, or a kinked supply line, or low water pressure.

**Has the ice machine just been started?** A typical ice production cycle can take up to 1½ hours. Initial start up cycles can take longer. Check the ice machine after 24 hours for ice accumulation in the bin.

**Is the reservoir drain plug in place?** Check that the reservoir drain plug is properly seated.

**Is the water distributor tube restricted?** Run a cleaning cycle to clean the ice machine. Also check any filters to make sure they are not restricted.

**Is the condenser fan air flow restricted?** Make sure the grille in the front of the ice machine is open for proper air circulation.

**Is the room and/or water temperature to warm?** Move the ice machine to an area where the ambient temperature is below 90°F (32°C) for built-in ice machines or below 100°F (38°C) for freestanding ice machines. The ice machine should not be placed next to a heat source such as an oven. Check the cold water connection.

**Is there scale build up in the ice machine?** If there is scale build up on the evaporator, the ice machine needs to be cleaned. See "Cleaning the Ice machine".



# TROUBLESHOOTING THE ICE MACHINE

## Ice Quality

### Odor, grey color, or off taste in the ice

**Is there mineral scale build up on the evaporator plate?** The ice machine needs cleaning. See “Cleaning the Ice Machine”.

**Is there a high mineral content in the water?** The water may need to be filtered.

**Are food items being stored in the ice bin?** Remove food from the ice bin.

**Unpleasant Odors** may require the use of a charcoal filter on the water supply line.

### Clumps of ice

**Are there clumps of ice in the bin?** If the ice isn't used on a regular basis it will melt and form into clumps. Break up the ice clumps with the ice scoop.

### Ice cubes are too big or too small

**Is there low ice consumption?** Ice is slowly melting in the ice bin which will affect the size of the cubes. This is normal. When the ice bin needs to be replenished, cubes will return to the regular size.

**Is the ice slab releasing?** Clean the evaporator. See “Cleaning the Ice Machine”.

**Is the distributor tube restricted?** Check the water line to the ice machine to make sure there are no restrictions or kinks in the line. Check all filters to make sure they are not restricted. Check that the water flows evenly out of the distributor tube, if not, clean the ice machine. See “Cleaning the Ice Machine”.

## Plumbing Problems

**Is the drain hose aligned over the drain?** Move the ice machine to align the drain.

**Is the ice machine draining properly?** Check that there are no kinks or restrictions in the drain lines; this can cause water to back up in the ice bin. Check that foreign material is not blocking the ice bin drain located at the right rear corner of the ice bin. Check the drain pump discharge and vent line or any restrictions or kinks. Check that the drain pump is level.

## NOTE

If there are plumbing issues outside of the ice machine, they cannot be repaired by the service technician. A qualified plumber will have to be called.

## Troubleshooting the Drain Pump

### NOTE

If the **drain pump reservoir** (not the ice machine bin) reaches overflow condition, the power to the ice machine will be shut off.

### If the ice machine is not working, check the following:

- Make sure there is power at the receptacle.
- Make sure the ice machine is turned on.
- Make sure the ice bin is not full.

### Then check the drain pump:

#### The pump does not run:

- Make sure the pump is plugged in and there is power to the receptacle.
- Check the inlet to the drain pump for debris and clean as needed. Remove clamps and inlet tube from drain pump to check for and remove debris.
- Make certain the vent line is free of kinks/sharp bends or restrictions.
- Make certain there is enough water to activate the drain pump. It will take at least one (1) quart (.95 liters) of water to activate the drain pump.

#### The pump runs, but no water is pumped out:

- Check that the vent is clear and free of restrictions.
- Check the discharge line to make certain there are no restrictions.
- Make sure that the discharge tubing has not exceeded the maximum lift of eight (8) feet (2.44 meters) and the horizontal run is not greater than twenty (20) feet (6.1 meters).

#### The pump runs and then quickly turns off repeatedly:

- Check to make certain the drain pump is level.
- Check that the vent is clear and free of restrictions.

#### The ice machine is running but not producing ice:

- Check to make sure water is not backing up in the ice bin.

## PREPARING THE ICE MACHINE FOR STORAGE

If the ice machine is moved, not used for an extended period of time, or will be in an area that will be near freezing temperatures, it is necessary to remove any remaining water in the ice-making system.

### CAUTION

This ice machine must have all water drained and removed to prevent ice machine damage as well as possible water damage to the surrounding area in freezing conditions. These damages are not covered under warranty.

### CAUTION

Do not use any type of anti-freeze or other solution as a substitution for properly draining the ice machine.

### Clean the Ice Machine

Cleaning the ice machine will help prevent mold and mildew growth as well as sanitize the ice machine for storage or when it is put back into service. See page 16 for instructions for cleaning the ice machine.

### WARNING

#### Electrocution Hazard

Risk of electrical shock or personal injury could occur due to moving components, if machine compartment access cover is removed before unplugging the ice machine.

### Draining and Removing Water from the Ice-Making System with a Gravity Drain.

1. Turn off the water supply to the ice machine.
2. Disconnect the water supply fitting at the inlet of the water valve. (See Figure 37a).
3. Change the electronic control to the "CLEAN" position for approximately one (1) minute. This will energize and open the water valve and remove most of the water from the water valve and the water valve's outlet water line to the reservoir.
4. Change the electronic control to the "OFF" position. This will energize and open the drain valve to drain the reservoir and the ice machine drain system.
5. Unplug the ice machine from the electrical outlet.
6. Remove the access cover from the rear of the ice machine. (See Figure 38).

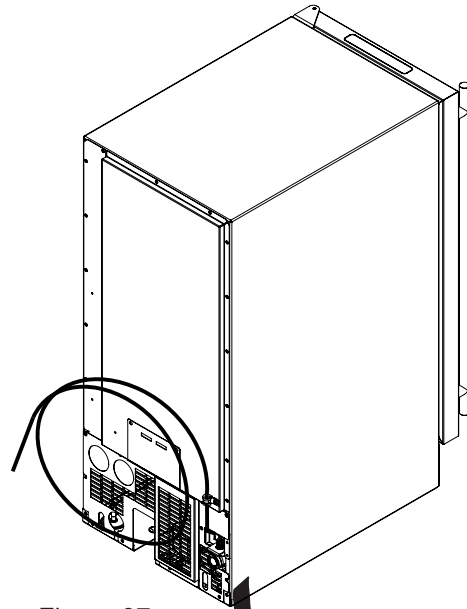


Figure 37  
Back view of  
ice machine

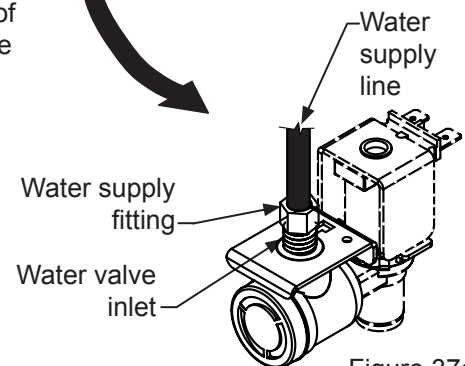


Figure 37a

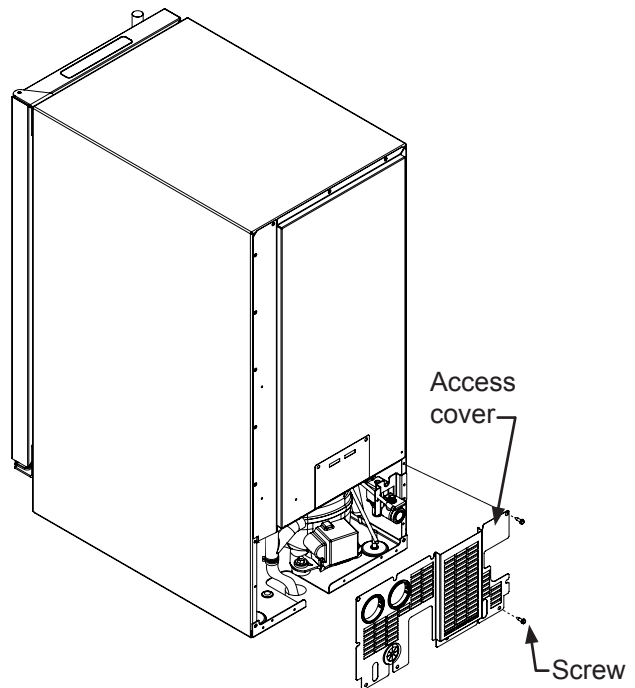


Figure 38

## PREPARING THE ICE MACHINE FOR STORAGE

7. Disconnect the water valve's outlet water line to the reservoir and drain the remaining water left in the water line trap area. (See Figure 39 and 39a).

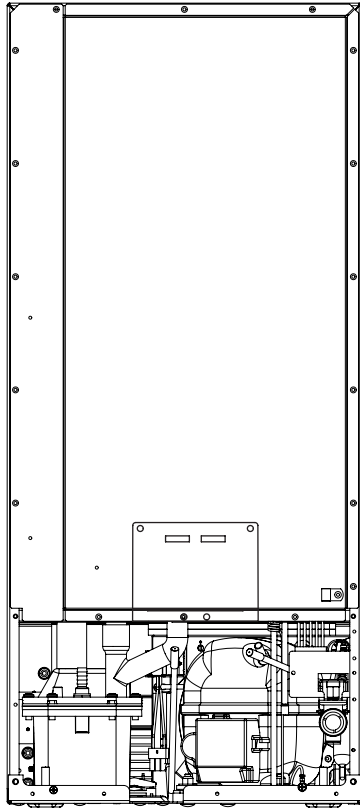


Figure 39

**To disconnect the water outlet line:** Push up on the white collar and pull the plastic water line from the bottom of the water valve.

**To reconnect the water outlet line:** Simply insert the plastic tubing into the white collar and push until it stops (about ½", 12 mm, of water line will enter the valve).

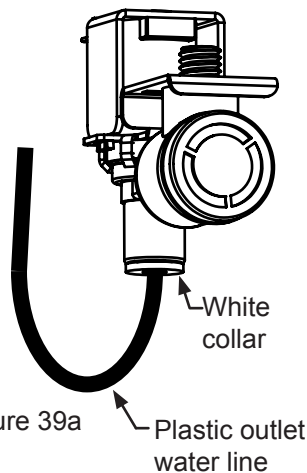


Figure 39a

White collar  
Plastic outlet water line

8. Reconnect the water valve outlet water line. (See Figure 39 and 39a).
9. Reinstall the ice machine's access cover.
10. Clean and dry the ice machine's storage bin.
11. Prop the door open for air circulation to prevent mold and mildew.
12. Leave the water supply line disconnected or reconnect the supply line and leave it shut off. Do NOT turn the water on and allow water to enter back into the water valve.

### Draining Water for Factory Installed Drain Pump Applications

Follow steps 1 through 12 for the gravity drain then do the following:

13. Install the winterization plug in the water drain hole inside the ice bin. (See Figure 40).

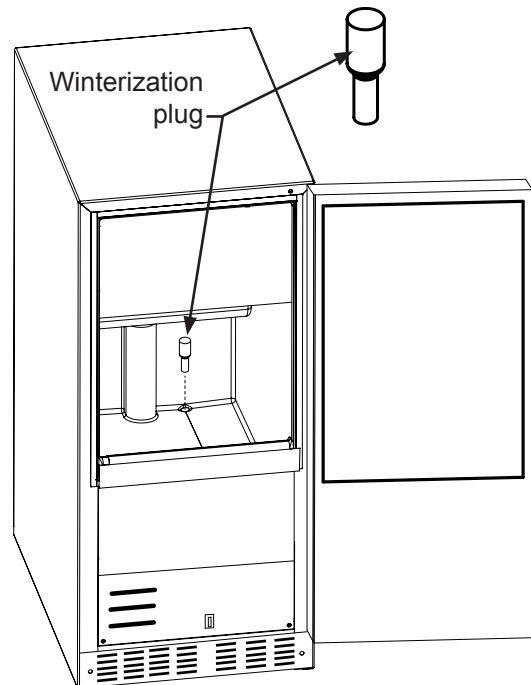


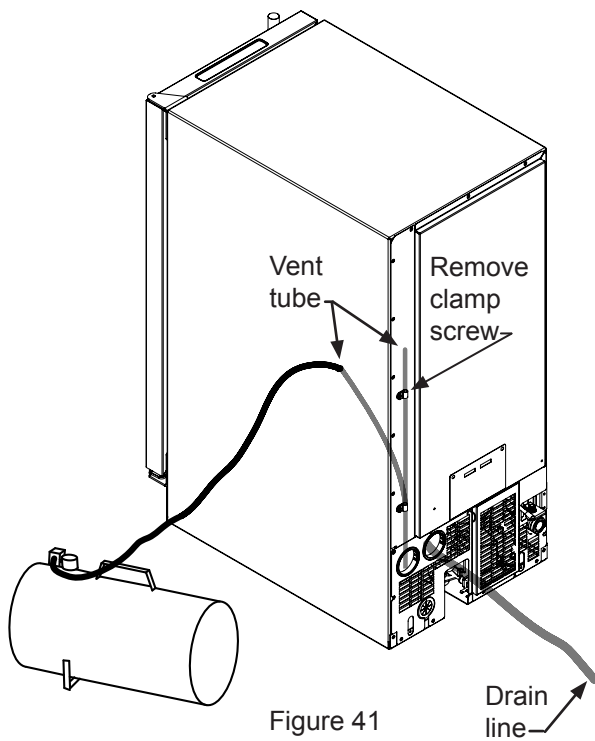
Figure 40

## PREPARING THE ICE MACHINE FOR STORAGE

14. Remove the top clamp from the vent tube, for easier access for the air hose.
15. Apply air pressure (approximately 10 psi) to the end of the vent tube which will purge the remainder of the water from the drain pump and the drain line. (See Figure 41).
16. Reinstall the vent tube and clamp to the back of the ice machine and remove the winterization plug from the ice bin and save it for future use.

### To Restart the Ice Machine

1. Reconnect or turn on the water supply line.
2. Reconnect drain tubing if removed.
3. Plug in the power cord to a wall outlet and turn the ice machine on, (refer to page 14 for turning the ice machine on and off).
4. Check the water inlet, drain lines, and fittings for any water leaks.
5. Check drain pump (if equipped) operation by pouring approximately two (2) quarts of water into the ice storage bin. The drain pump should activate and discharge water (refer to Drain Pump on page 7). Check for water leaks at all hose connections.



## DRAIN PUMP REMOVAL INSTRUCTIONS

### Drain Pump Removal Instructions:

1. Unplug the ice machine from the electrical supply and remove the rear access cover from the ice machine. (See page 26 for instructions).
2. Unscrew the leveling leg in the back corner until the end of the threaded portion is flush with the threaded nut insert in the base. (see Figure 43).
3. Unscrew the 3 hose clamps and remove the 3 hoses from the front of the drain pump. (See Figure 43).
4. Rotate the drain pump and remove from the ice machine, (See Figure 42). It may be necessary to disconnect the ground wire connection in the back flange of the cabinet. (See Figure 43).
5. Disconnect the ice machine power cord from the drain pump (See Figure 44).
6. Drain the water in the drain pump's reservoir by turning the pump upside down and allowing water to drain through the pump's inlet and vent tube fittings.
7. Installation of drain pump is reverse of this procedure.

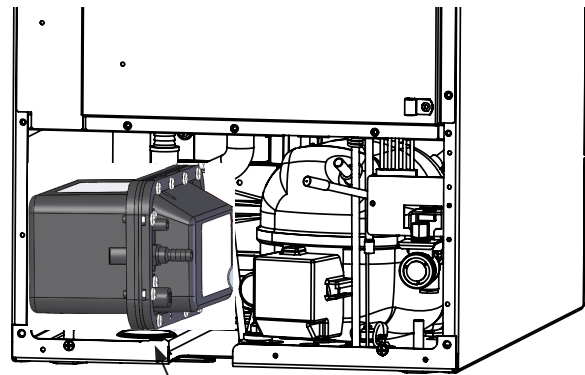


Figure 42

Rotate drain pump and remove from back of ice machine.

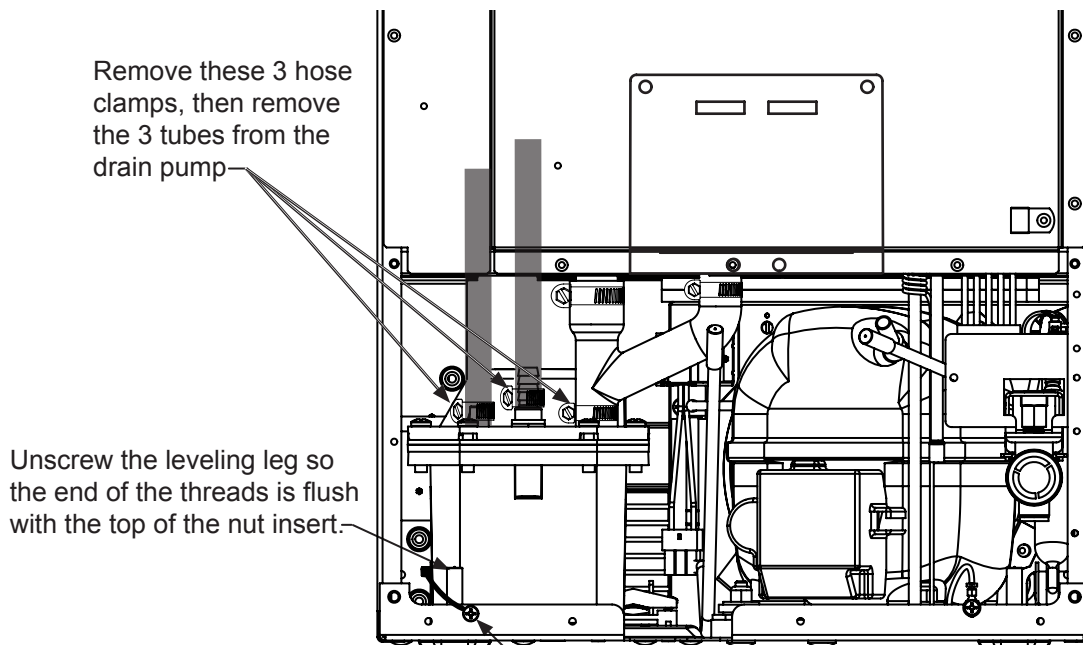


Figure 43

Drain pump ground wire connection

## DRAIN PUMP REMOVAL INSTRUCTIONS

### Additional issues to be inspected by the installer upon service replacement:

1. The drain pump must be level.
2. No pinched water lines.
3. No interference with electrical cords or wiring.
4. The drain pump should not set on any obstacles, wiring, etc.
5. Secure all hose clamps leading to and from the drain pump.
6. Insure that the vent tube height is adequate - 18 inches minimum.
7. Insure that drain height is adequate - maximum of 8 feet.
8. Insure that drain length is adequate - maximum of 20 feet.
9. Checked for water leaks after installation of the drain pump.
10. Check for vibrations caused by improper installation.
11. Insure that there is no interference with back access cover.
12. Insure that the hole grommets are in place at each location so that any vent or drain tubes do not rub on any sharp surfaces.

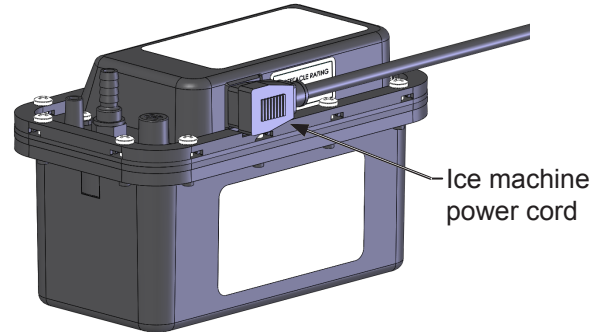


Figure 44

# HOUSEHOLD PRODUCT WARRANTY

## Entire Product

### Limited One Year Parts and Labor Warranty

AGA MARVEL warrants that it will supply all necessary parts and labor to repair or replace in the end user's home or office, any component which proves to be defective in material or workmanship, subject to the condition and exclusions stated below, for a period of one year from the date of purchase by the end user.

### Additional Second Through Fifth Year

#### Limited Parts Only Warranty

During the four years following expiration of the one year limited warranty, AGA MARVEL will supply replacement parts for the hermetically sealed refrigeration system which consists of the compressor, condenser, drier, accumulator, bypass valve, connecting tubing and the evaporator that are proven to be defective due to workmanship or materials subject to the conditions and exclusions below.

The above warranties do not cover:

- Shipping costs of replacement parts or returned defective parts.
- Customer education or instructions on how to use the appliance.
- Any content loss due to product failure.
- Removal or installation of product.

Nor do the above warranties cover failure of this product or its components due to:

- Transportation or subsequent damages.
- Commercial use or use other than normal household or small office.
- Improper installation, misuse, abuse, accident or alteration, use of wiring not conforming to electrical codes, low or high voltages, failure to provide necessary maintenance, or other unreasonable use.

## Parts or Service

### Not Supplied or Designated by AGA MARVEL

The above warranties also do not apply if:

- The original bill of sale, deliver date, or serial number cannot be verified.
- Defective parts are not returned for inspection if so requested by AGA MARVEL.
- The refrigeration equipment is not in the possession of the original end use purchaser.

The warranties set forth herein are the only warranties extended by AGA MARVEL. Any implied warranties, including the implied warranty of merchantability, are limited to the duration of these express warranties. In no event shall AGA MARVEL be liable for any consequential or incidental damages or expenses resulting from breach of these or any other warranties, whether express or implied.

Some states do not allow the exclusion or limitation of consequential damages or a limitation on how long an implied warranty lasts, so the above exclusion or limitation may not apply to you. This warranty gives you specific legal rights and you may have other rights that may vary from state to state.

No person, firm, or corporation is authorized to make any other warranty or assume any other obligation for AGA MARVEL. These warranties apply only to products used in any of the fifty states of the United States and the District of Columbia.

To obtain performance of this warranty, report any defects to:

**AGA MARVEL**  
1260 E. VanDeinse St.  
Greenville MI 48838

Phone: 800.223.3900



[www.agamarvel.com](http://www.agamarvel.com)

**AGA MARVEL**

1260 E. VanDeinse St.  
Greenville MI 48838

800.223.3900

41013890-EN Rev A  
8/29/16

All specifications and product designs subject to change without notice. Such revisions do not entitle the buyer to corresponding changes, improvements, additions, replacements or compensation for previously purchased products.



- EN** Installation, Operation and Maintenance Instructions  
**FR** Instructions d'installation, d'utilisation et d'entretien  
**ES** Instrucciones de instalación, operación y mantenimiento

Clear Ice Machine  
Machine à glaçons transparente  
Máquina de hielo claro

**ML15CL**  
**ML15CP**



# CONTENU

## Contenu:

Bienvenue .....	2
Enregistrement de la garantie.....	2
Importantes instructions de sécurité.....	3
Déballage de votre appareil.....	3
Installation de votre appareil.....	4
Dégagements par rapport à l'armoire.....	4
Pieds de mise à niveau.....	4
Raccordement électrique.....	5
Installation de la plomberie de drainage.....	6
Drainage par gravité.....	6
Drainage par pompe.....	7
Installation de l'alimentation en eau.....	8
Kit de panneau de remplissage.....	9
Fonctionnement de l'appareil à glaçons.....	10
Dimensions du produit.....	12
Utilisation de votre commande électronique.....	14
Démarrage de votre appareil à glaçons.....	14
Activation et désactivation de votre appareil à glaçons.....	14
Verrouillage des commandes.....	15
Alerte sur porte restée entrouverte.....	15
Codes d'erreur.....	15
Mode démarrage différé/vacances.....	15
Rappel pour nettoyage.....	15
Menu d'options.....	16
Mode Normal et ECO .....	16
Nettoyage de votre appareil à glaçons.....	16
Mode de nettoyage.....	16
Installation de panneau de revêtement de porte.....	18
L'entretien et le nettoyage.....	22
Conseils pour l'économie d'énergie.....	22
Obtention de service.....	23
Dépannage de l'appareil à glaçons.....	24
Préparation de l'appareil à glaçons pour l'entreposage .....	26
Instructions de démontage de pompe de drainage.....	29
Garantie .....	31

## Bienvenue

Félicitations pour votre achat de l'appareil à glaçons transparents la plus silencieuse de l'industrie, avec la plus grande clarté et pureté de la glace. Votre nouvel investissement est protégé par une garantie limitée durant la première année, et les pièces de réfrigération hermétiquement sellées sont garanties pendant 4 ans de plus.

Ceci est votre guide pour l'utilisation et l'entretien de votre appareil à glaçons transparents de Marvel, pour vous assurer des années de plaisir. En cas de question, n'hésitez pas à appeler le Service Clientèle ou l'Assistance Technique de Marvel :

Téléphone : (800) 223-3900

Courriel :

- Service à la Clientèle : [orderdesk@agamarvel.com](mailto:orderdesk@agamarvel.com)
- Assistance technique : [techsupport@agamarvel.com](mailto:techsupport@agamarvel.com)



## Enregistrement de la garantie

Nous incitons tous les propriétaires de appareil à glaçons neufs d'enregistrer leur produit, afin de bénéficier d'une expérience plus personnalisée en cas de besoin d'assistance dans le futur. Il est important que vous postiez votre carte d'enregistrement de garantie immédiatement après avoir pris livraison de votre appareil.

### Pour l'enregistrement :

- Postez votre carte d'enregistrement de garantie ou effectuez l'enregistrement en ligne sur [marvelrefrigeration.com](http://marvelrefrigeration.com).
- Les champs suivants sont nécessaires :
  - Numéro de service
  - Numéro de série
  - Date d'achat
  - Nom et adresse du revendeur
- Le numéro de service et le numéro de série se trouvent sur la plaque signalétique qui est située à l'intérieur de l'armoire, du côté gauche (Voyez la Figure 1).

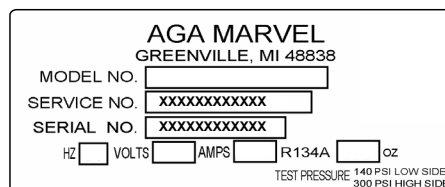


Figure 1

## À propos de votre appareil à glaçons transparents de Marvel :

### Performance

- L'appareil à glaçons la plus silencieuse que vous puissiez acheter.
- Nouvelles options pour les économies d'énergie pour consommer moins d'eau et d'électricité.
- Appareil conçu pour produire de la glace pure et transparente, avec une clarté et une lenteur de fusion sans égales.
- Jusqu'à 17,7 kg de glaçons transparents produits chaque jour.
- Le système breveté d'aide à la fermeture de porte évite la déperdition d'énergie en commandant la fermeture automatique en douceur de la porte.

### Capacités de conservation

- Une quantité de 15,8 kg de glaçons transparents est gardée dans le bac à glaçons avec isolation thermique.
- Une pelle à glaçons aux lignes harmonieuses est positionnée pour une prise facile.
- Surface interne hygiénique, facile à nettoyer.

### Commandes sur écran tactile

- Contrôles multifonctions Intuit™ de Marvel.
- Eco Ice™ : Démarrage différé et mode pour vacances, adaptant la production de glaçons à leur utilisation.
- Alertes sonores et rappels programmés pour le nettoyage.

### Esthétique

- Nouvelle capacité IlluminICE™ envoyant un éclairage par diodes électroluminescentes au travers de la glace pour un effet d'illumination éclatant.
- Poignée esthétique et intérieur blanc.
- Option de panneau prêt à l'emploi facile à poser, avec charnière incorporée pour fermeture douce.
- Plinthe noire de 4" réglable.
- Ajustement de la hauteur jusqu'à 2,5 cm avec des pieds de mise à niveau.

# IMPORTANTES INSTRUCTIONS DE SÉCURITÉ

## DÉBALLAGE DE VOTRE APPAREIL



**AGA MARVEL** s'engage à fabriquer un produit de qualité d'une manière ne nuisant pas à l'environnement. Nos procédés sont sévèrement contrôlés et surveillés de près. Nous avons obtenus les certifications ISO 9001 d'assurance qualité, et ISO 14001 de gestion environnementale, et OHSAS 18001 pour hygiène et sécurité du travail de Lloyd's Register Quality Assurance.

### Importantes instructions de sécurité

Les avertissements et les instructions de sécurité qui apparaissent dans ce guide n'ont pas la prétention de couvrir toutes les conditions et situations possibles pouvant arriver. Il faut faire preuve de bon sens, de précautions et de soins, pour installer, utiliser ou entretenir cet appareil.

### Reconnaissance des symboles, des mots et des étiquettes concernant la sécurité.

#### **AVERTISSEMENT**

**AVERTISSEMENT** - Risque possible de décès ou de blessure grave si vous ne suivez pas les instructions.

#### **ATTENTION**

**ATTENTION** - Risques ou pratiques dangereuses pouvant entraîner des blessures individuelles, des dégâts matériels ou des dommages au produit.

#### **REMARQUE**

**REMARQUE** - Information importante pour réaliser une installation et une utilisation sans problèmes.

#### **AVERTISSEMENT**

**Avertissements de la proposition 65 de l'État de Californie** : Ce produit contient au moins un produit chimique connu par l'État de Californie pour être à l'origine de cancers.

#### **AVERTISSEMENT**

**Avertissements de la proposition 65 de l'État de Californie** : Ce produit contient au moins un produit chimique connu par l'État de Californie pour être à l'origine de malformations et autres déficiences de naissance.

#### **AVERTISSEMENT**

##### **AVERTISSEMENT RISQUE DE POIDS EXCESSIF**

Utilisez deux personnes ou plus pour déplacer le produit. Sinon vous pourriez vous blesser.

### Enlèvement de l'emballage intérieur

Votre machine à glaçons a été emballé pour l'expédition avec toutes les pièces pouvant être endommagées par le mouvement solidement attachées. Enlevez les matériaux d'emballage intérieur et toute bande maintenant des composants intérieurs en place. Le manuel de l'utilisateur est envoyé à l'intérieur de l'appareil dans un sac en plastique, accompagné de la carte d'enregistrement de la garantie, et d'autres articles accessoires.

### Important

Conservez votre carton d'emballage jusqu'à ce que votre machine à glaçons ait été complètement inspecté et trouvé en bon état. S'il présentait des dommages, cet emballage serait nécessaire comme preuve qu'ils sont survenus durant le transit. Ensuite veuillez mettre tous ces matériaux d'emballage au rebut d'une façon responsable.

#### **AVERTISSEMENT**

**AVERTISSEMENT** - Jetez bien les sacs en plastique qui représentent un risque de suffocation.

### Note pour le client

Cette marchandise a été soigneusement et complètement inspectée avant de quitter notre usine. La responsabilité pour sa livraison sûre a été assumée par le revendeur à l'acceptation de cette expédition. Les réclamations pour perte ou dommages survenus durant le transit sont à adresser au revendeur.

#### **REMARQUE**

NE RENVOYEZ PAS DE MARCHANDISE ENDOMMAGÉE AU FABRICANT – DÉPOSEZ UNE RÉCLAMATION AUPRÈS DU REVENDEUR.

# INSTALLATION DE VOTRE APPAREIL



## ATTENTION

Si l'appareil a été livré, manipulé ou entreposé dans une position autre que debout, pendant une durée quelconque, laissez-le reposer debout pendant au moins 24 heures avant de la brancher électriquement. Cela assurera le retour de l'huile au compresseur. Un branchement immédiat de l'appareil pourrait endommager des parties internes.



## AVERTISSEMENT

### AVERTISSEMENT - Contribuez à éviter des tragédies

L'emprisonnement d'enfants et leur asphyxie ne sont pas des problèmes du passé. Des épaves de réfrigérateurs abandonnés continuent de présenter un danger - même en restant dehors pour «juste quelques heures».

Si vous devez vous débarrasser de votre vieil appareil de refroidissement, veuillez suivre ces instructions pour aider à éviter des accidents possibles.

Avant de jeter votre vieux réfrigérateur ou congélateur :

- Démontez ses portes ou enlevez ses tiroirs.
- Laissez les étagères en place de façon à ce que des enfants ne puissent pas facilement monter dedans.

## Sélection de l'emplacement

Un bon emplacement assurera une performance de pointe pour votre appareil. Nous recommandons un endroit où l'appareil à glaçons ne sera pas exposée directement au rayonnement solaire et restera écartée de sources de chauffage. Pour assurer que votre produit se comporte selon ses spécifications, la plage de température recommandée pour l'emplacement d'installation doit aller de 13 à 32 °C (55-90°F) pour les appareils à glaçons intégrés, et de 13 à 38 °C (55-100°F) pour les appareils à glaçons indépendantes. L'appareil à glaçons ne fonctionnera pas correctement à des températures ambiantes en dessous de 13 °C (55°F).

## Dégagements par rapport à l'armoire

Une ventilation est nécessaire depuis la section frontale du bas de l'armoire. Gardez cette zone libre et exempte de toutes obstructions. Des meubles et comptoirs peuvent être installés autour de l'unité de façon adjacente dans la mesure où sa grille frontale restera non obstruée. Les modèles à revêtement de porte avec charnières articulées sont prévus pour des applications encastrées uniquement.



## ATTENTION

### Grille frontale

N'obstruez pas la grille frontale. Les ouvertures au travers de la grille frontale permettent l'écoulement de l'air par l'échangeur thermique du condenseur. Des restrictions de ce flux d'air vont augmenter la consommation d'énergie et affecter sa capacité de refroidissement. C'est pourquoi il est important que cette zone ne soit pas obstruée et soit maintenue propre. AGA MARVEL recommande de ne pas utiliser de grilles personnalisées, car l'écoulement d'air en serait diminué (Voyez la Figure 2).

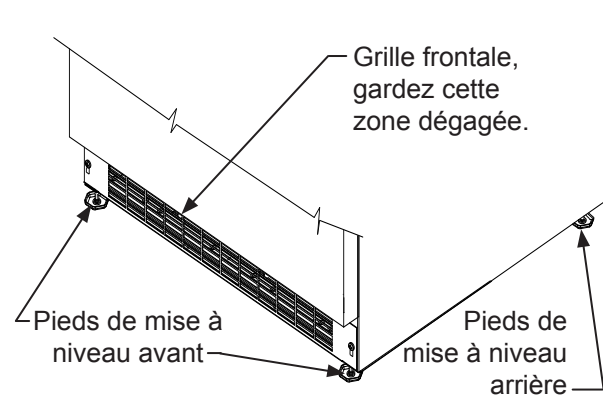


Figure 2

### Pieds de mise à niveau

Des pieds réglables aux angles avant et arrière de l'armoire doivent être ajustés pour qu'elle soit fermement positionnée au sol et bien d'aplomb, d'un côté à l'autre et d'avant en arrière. La hauteur totale de votre appareil Marvel peut être ajustée entre le minimum (en vissant les pieds de mise à niveau) et le maximum (en dévissant les pieds de mise à niveau) des dimensions comme c'est montré au Tableau «A».

Pour régler ces pieds de mise à niveau, placez l'appareil sur une surface solide, en protégeant le sol en dessous pour ne pas le rayer. Avec l'aide d'une autre personne, inclinez vers l'arrière de l'appareil pour accéder aux pieds de mise à niveau de l'avant. Levez ou abaissez ces pieds à la hauteur requise en les tournant. Répétez la procédure pour les pieds arrière en inclinant le machine à glaçons vers l'avant en faisant attention. Sur une surface plane, vérifiez le niveau de l'appareil et ajustez les pieds en conséquence.

Les vis de la grille frontale peuvent être desserrées et la grille ajustée à la hauteur voulue. Quand le réglage est fait resserrez les vis de la grille frontale (Voyez la Figure 5).

# INSTALLATION DE VOTRE APPAREIL

Modèle	Style de Porte	Minimum Height	Maximum Height
ML15**	(S)	33 ¾ po (85,7 cm)	34 ¾ po (88,3 cm)
ML15**	(P)	34 po (86,4 cm)	35 po (88,9 cm)

Tableau A

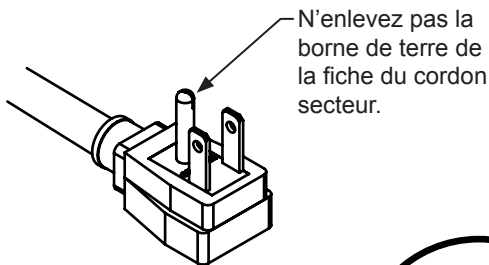


Figure 3

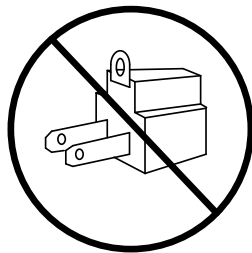


Figure 4

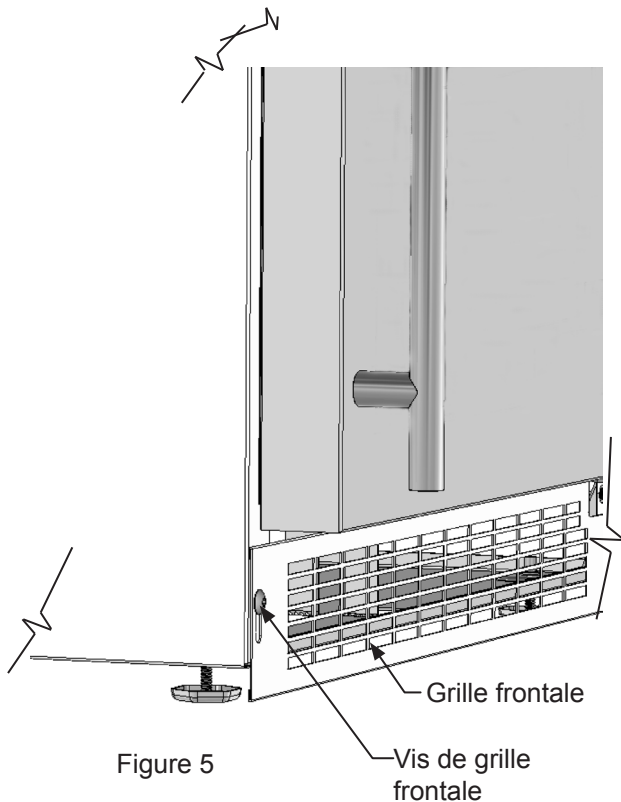


Figure 5



## AVERTISSEMENT

### Risque de commotion électrique

- N'utilisez pas de rallonge secteur avec cet appareil. Cela peut être dangereux et peut affecter la performance du produit.
- Cet appareil ne doit sous aucun prétexte être installé sur une alimentation électrique sans liaison de terre.
- N'enlevez pas la borne de terre de la fiche du cordon secteur. (Voyez la Figure 3).
- N'utilisez pas d'adaptateur entre fiche et prise. (Voyez la Figure 4).
- N'envoyez pas d'eau par éclaboussure ou par jet d'un tuyau sur l'appareil. Cela pourrait causer une commotion électrique, entraînant potentiellement des blessures graves voire mortelles.

### Raccordement électrique

Un circuit secteur dédié en 115 V supportant 15 A est nécessaire.

Ce produit est équipé en usine d'un cordon secteur comportant une fiche avec terre à trois broches. Il faut la brancher dans une prise secteur correspondante avec terre, en conformité avec la norme électrique américaine et les normes et réglementations locales applicables (Voyez la Figure 6). Si le circuit ne comporte pas une prise avec terre, le client doit en fournir une adéquate; c'est sa responsabilité et son obligation. La troisième broche de terre ne doit en aucun cas être coupée ou enlevée.

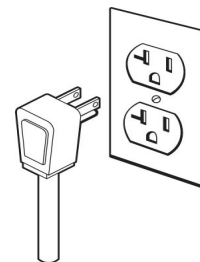


Figure 6

## REMARQUE

Un disjoncteur sur détection de courant de fuite (GFCI) a tendance à provoquer des déclenchements intempestifs qui peuvent arrêter l'appareil. Ce type de protection n'est en général pas utilisé sur de l'équipement électrique qui doit tourner sans surveillance pendant de longues périodes, sauf si c'est imposé par les normes de construction et réglementations locales.

# INSTALLATION DE LA PLOMBERIE DE DRAINAGE



## ATTENTION

L'absence d'utilisation d'un système de drainage adéquat va entraîner des dégâts des eaux aux alentours et/ou une production médiocre de glaçons.



## AVERTISSEMENT

### Risque de commotion électrique

Un soin raisonnable et des méthodes sûres doivent être appliqués. Ne travaillez PAS avec de l'équipement électrique sous tension dans une zone humide. Lisez et appliquez toutes les instructions d'installation listées dans ce manuel.

### Plomberie de drainage

Votre appareil à glaçon a besoin d'une plomberie de drainage. Il y a deux variantes de appareils à glaçons en ce qui concerne l'installation de la plomberie de drainage, sans pompe de drainage (drainage par simple gravité), et avec une pompe de drainage.

#### Drainage par gravité (sans pompe) :

L'appareil à glaçon est livrée avec la conduite de drainage installée, elle est enroulée et fixé à l'arrière de l'armoire comme c'est montré en Figure 7. Vous pouvez la dérouler, l'amener jusqu'à un drain convenable, et la couper à la bonne longueur selon le besoin. En plus, il y a une préparation au cheminement du drainage au travers d'une découpe dans le bas de l'appareil (Voyez la zone grise du Schéma 8). Un drainage peut être installé dans cette zone grise, avec la conduite de drainage coupée court et positionnée dans le drain comme c'est montré en Figure 9, ou bien si l'appareil à glaçons est intégrée, le tube de drainage peut être passé au travers d'un trou dans cette zone grise pour évacuer en-dessous.

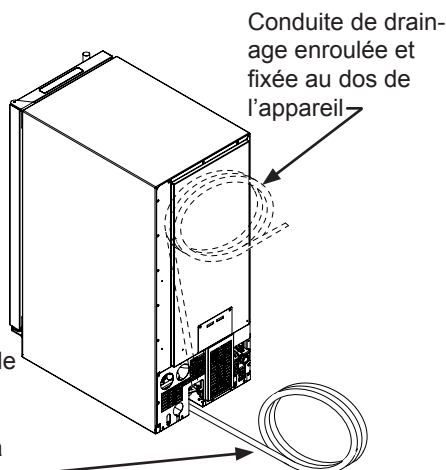


## ATTENTION

La conduite de drainage par gravité doit être acheminée pas plus haut que 15,2 cm (6") au-dessus du plancher, pour assurer un drainage correct.

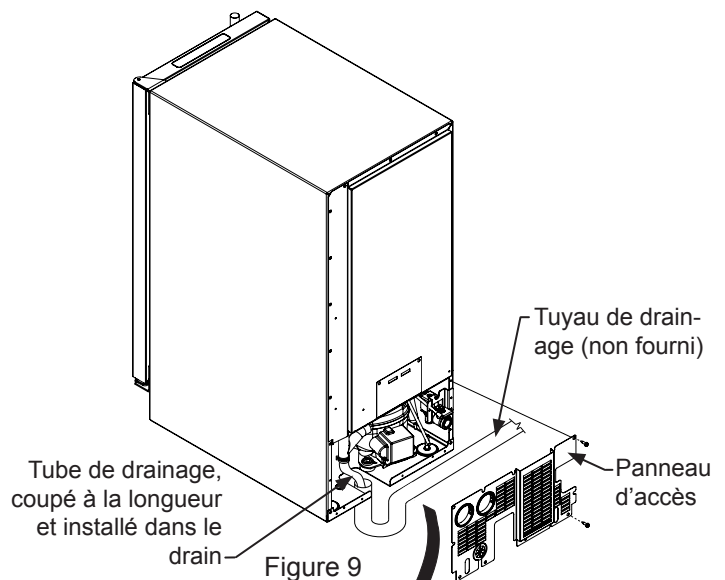
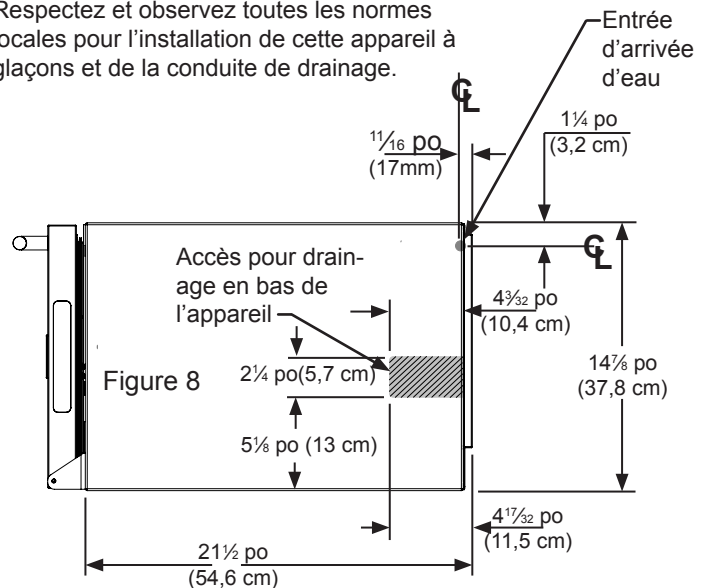
Figure 7

Déroulez la conduite de drainage, amenez-la jusqu'à un drain approprié, et coupez-la à la longueur voulue.



## ATTENTION

Respectez et observez toutes les normes locales pour l'installation de cette appareil à glaçons et de la conduite de drainage.



# INSTALLATION DE LA PLOMBERIE DE DRAINAGE

## Drainage par pompe installée en usine :

La pompe de drainage Marvel est conçue pour éliminer l'eau de drainage des appareils à glaçons dans les lieux où n'existe pas un accès direct au drain. La pompe à réservoir scellé collecte l'eau de fonte de glace et l'envoie en la levant au maximum de 2,44 m (8 pieds) en utilisant au plus 6 m (20') de tube en vinyle de diamètre intérieur 3/8 po.

Si l'appareil à glaçons comporte une pompe de drainage montée en usine : Le tube d'évacuation est enroulé et fixé à l'arrière de l'appareil à glaçons. Le tube de diamètre interne 3/8 po doit être installé et branché sur un égout sanitaire (Référez-vous à la Figure 10).



## ATTENTION

Cette pompe de drainage est conçue pour être installée sur des appareils à glaçons de Marvel uniquement, et n'est approuvée que pour pomper de l'eau.



## AVERTISSEMENT

### Risque de commotion électrique

Un risque de commotion électrique ou de blessure corporelle peut venir de composants en mouvement si le couvercle d'accès au compartiment de l'appareil est enlevé avant d'avoir débranché électriquement l'appareil à glaçons.

## Pompe de drainage optionnelle:

Une pompe de drainage optionnelle est disponible si vous avez acheté un appareil à glaçons qui n'en comportait pas, et que vous n'avez pas accès à un drainage par gravité. Des instructions d'installation sont fournies avec cette pompe de drainage optionnelle. Contactez votre revendeur ou le service à la clientèle de Marvel au 800-223-3900 pour la commander.

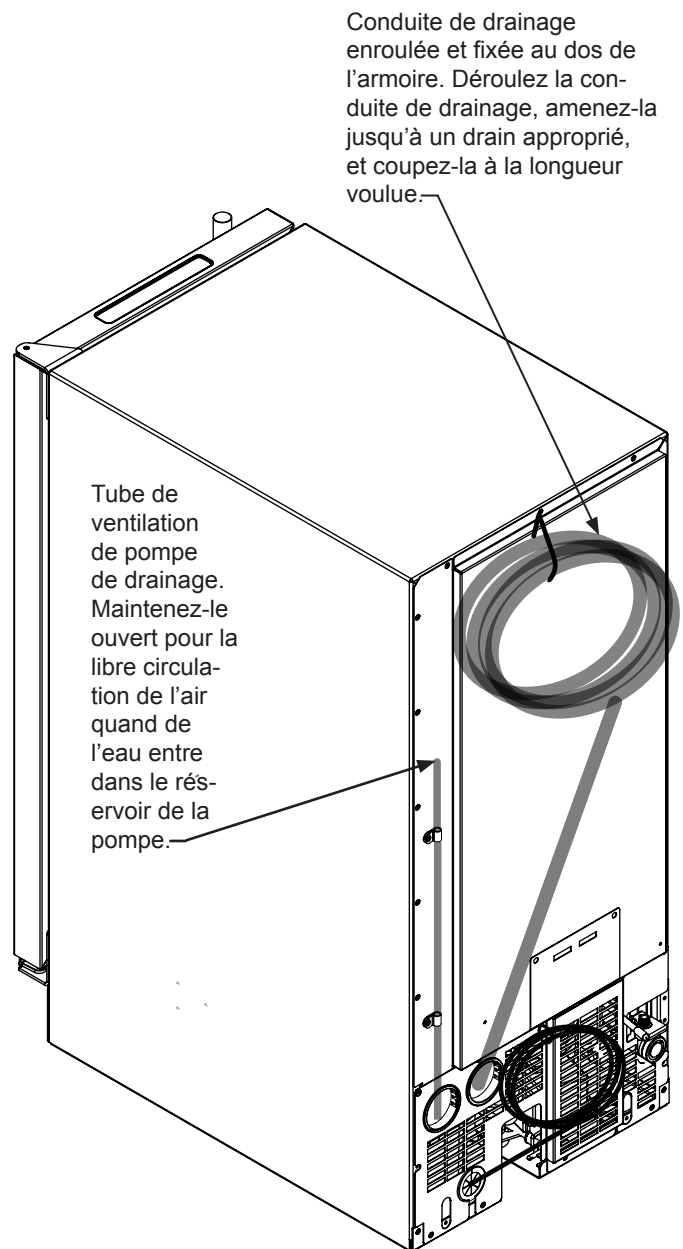


Figure 10

# INSTALLATION DE L'ALIMENTATION EN EAU

## Alimentation en eau

### ATTENTION

Respectez et observez toutes les normes locales pour l'installation de cet appareil.

L'appareil à glaçons doit être branché sur une conduite ouverte d'arrivée d'eau potable froide, envoyant de l'eau sous une pression minimale de 20 psi et maximale de 120 psi.

Utilisez du tube en cuivre de 1/4" pour votre arrivée d'eau, disponible localement dans toute quincaillerie ou magasin de fournitures de plomberie. Formez le tuyau de cuivre de 1/4" en fonction des besoins de votre installation, en prenant soin de ne pas le pincer. Achetez suffisamment de tube en cuivre et enroulez-le derrière l'appareil pour former une "boucle pour interventions de service", qui permettra que l'appareil soit tiré et sorti à des fins de dépannage ou de nettoyage (Voyez la Figure 11). Connectez le tube en cuivre sur la partie haute d'un tuyau d'arrivée d'eau froide, pour éviter que l'appareil à glaçons ne s'obstrue avec des sédiments.

Une vanne de coupure est recommandée sur la conduite d'alimentation en eau pour faciliter les interventions sur l'appareil. **REMARQUE : UNE VANNE DE TYPE À AUTO-PERÇAGE N'EST PAS RECOMMANDÉE** car elle est susceptible d'obstruction avec des sédiments qui causera une chute de pression et réduira l'alimentation en eau de l'appareil.

Connectez la tubulure en cuivre d'alimentation en eau sur l'entrée de la vanne d'eau avec le raccord à écrou de compression fourni. **IMPORTANT** : Fixez la conduite d'arrivée d'eau sur l'arrière de l'armoire avec la vis et le collier fournis à l'angle du panneau arrière (Voyez la Figure 11).

Assurez-vous que toutes les connexions d'eau sont étanches après l'installation. Formez le tube de façon à ce qu'il ne vibre pas contre le corps de l'armoire ou ne s'écrase pas quand l'appareil est poussée en place.

L'appareil à glaçons est conçu pour produire de la glace transparente depuis la majorité des sources d'eau sur une base quotidienne. Si vos résultats ne sont pas satisfaisants, votre eau peut avoir besoin d'être filtrée ou traitée en amont. Un spécialiste en eaux peut recommander un traitement approprié de l'eau locale.

### ATTENTION

Pour empêcher des fuites d'eau :

- Le raccord pour conduite d'eau doit être utilisé uniquement avec du tube en cuivre. Ne l'utilisez pas avec du tube en plastique.
- N'utilisez aucun produit d'étanchéification des filetages sur les raccords de conduite d'eau.

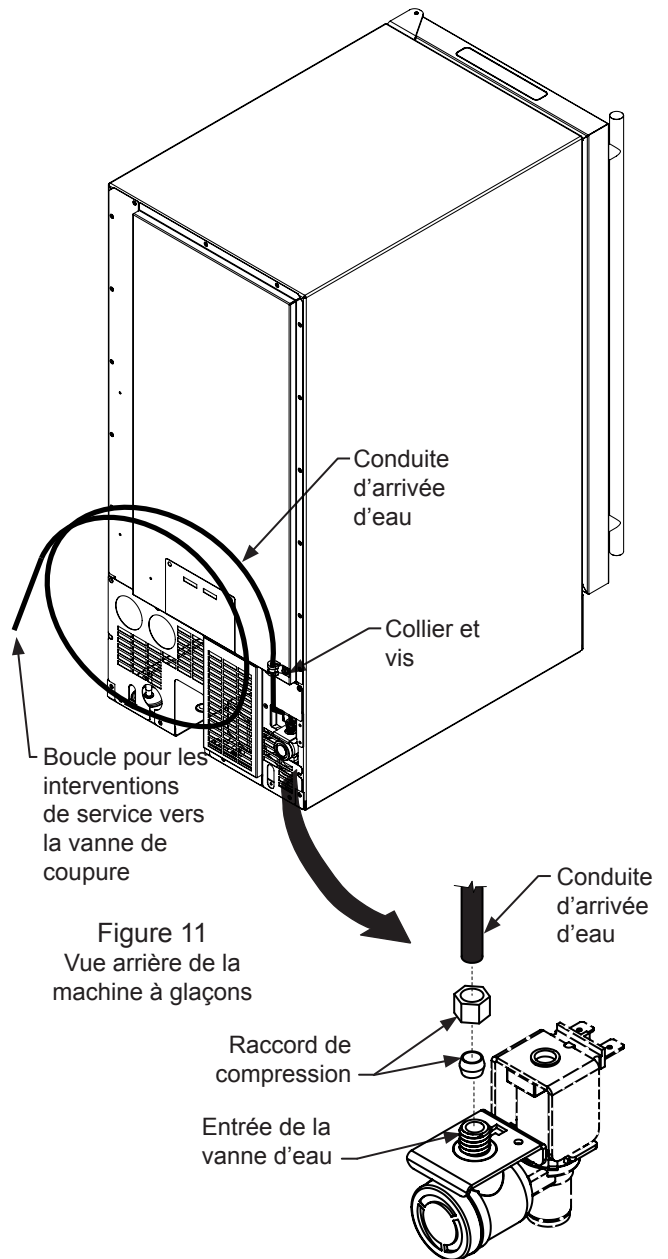


Figure 11  
Vue arrière de la machine à glaçons

### REMARQUE

De l'eau adoucie par osmose inversée ou dé-ionisée n'est pas recommandée car cela pourrait affecter la qualité des glaçons.



## KIT DE PANNEAU DE REMPLISSAGE (OPTIONNEL)

### Kit de panneau de remplissage

Ce kit de panneau de remplissage ajoutera 3 pouces (7,5 cm) à l'appareil à glaçons pour son installation dans une niche de 18 pouces de large. Commandez l'un de ces numéros de pièce selon la couleur dont vous avez besoin :

N° 42242831 - Kit de panneau de remplissage blanc

N° 42242832 - Kit de panneau de remplissage noir

N° 42242833 - Kit de panneau de remplissage en acier inox

Pour commander : Appelez le Service à la Clientèle d'AGA au 800-223-3900.

Le kit de panneaux de remplissage optionnel contient :

2 extensions pour armoire

2 extensions pour plaque de plinthe

6 vis de tôle de 6 #10 x 0,5 po

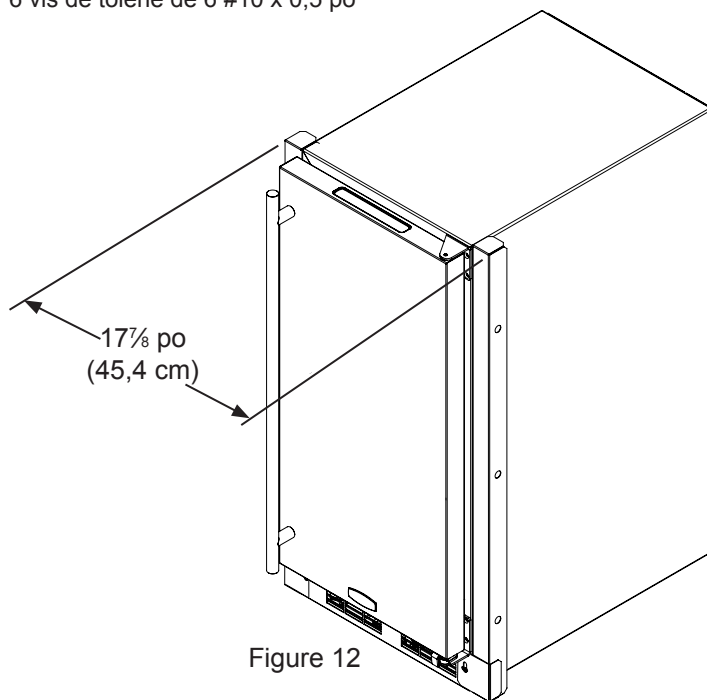


Figure 12

# FONCTIONNEMENT DE L'APPAREIL À GLAÇONS

## Le processus de fabrication de la glace

Votre appareil à glaçons est unique pour la façon dont sa glace est formée par gel fractionnel, afin de constituer une plaque de glace transparente comportant moins de solides dissous que l'eau servant à la produire. C'est réalisé en faisant couler de l'eau sur la plaque froide d'évaporateur (Voyez la Figure 13), qui gèle graduellement l'eau afin de produire une plaque de glace. L'eau pure gèle en premier, en laissant les solides dissous dans l'eau résiduelle du réservoir, pour donner de la glace transparente.

Quand la plaque de glace atteint la bonne épaisseur, la feuille de glace est relâchée et glisse sur la grille de découpe (Voyez la Figure 15). Là, la plaque de glace est découpée en cubes par les fils chauffés de la grille de coupe (Voyez la Figure 16). L'eau contenant les minéraux rejetés est drainée après chaque cycle de congélation. De l'eau fraîche entre dans l'appareil pour le cycle suivant de fabrication de glaçons.

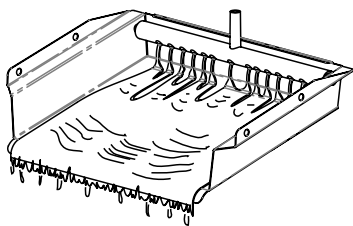


Figure 13

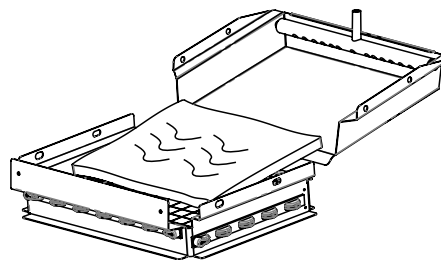


Figure 15

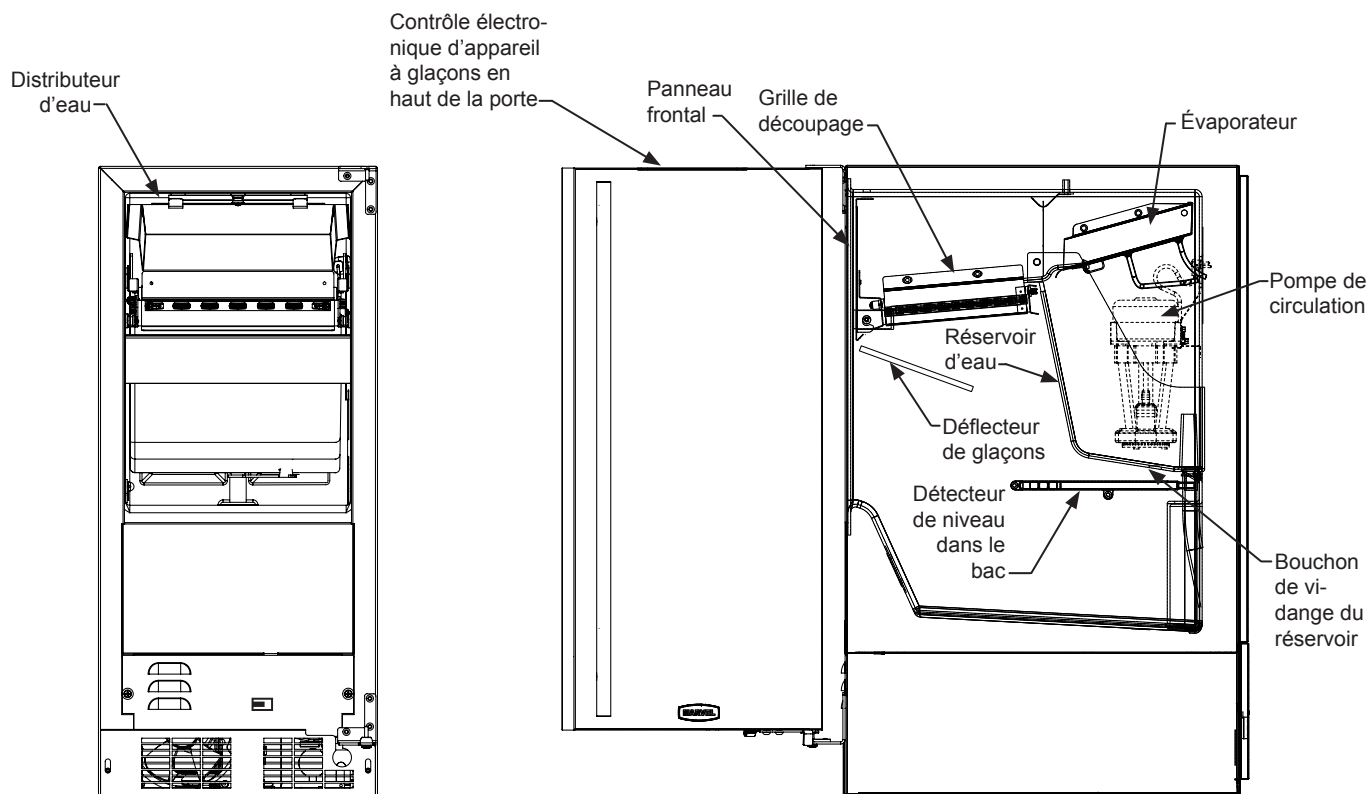


Figure 14

# FONCTIONNEMENT DE L'APPAREIL À GLAÇONS

L'appareil continuera de produire des glaçons jusqu'à ce que son bac soit plein, et redémarrera automatiquement quand il faudra regarnir ce bac en glaçons. Le bac à glaçons n'est pas réfrigéré, et un peu de fusion peut se produire par conception afin de préserver la qualité et la clarté de la glace. Laissez tourner 24-48 heures votre appareil à glaçons pour accumuler des glaçons dans son bac.

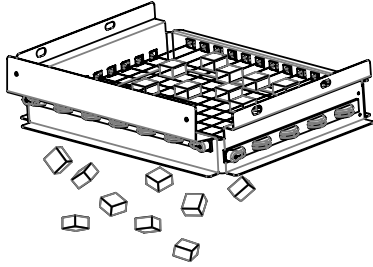


Figure 16

Le capteur de niveau de glaçons est situé dans le bac, il détecte quand la fourniture de glaçons est faible et lance ou arrête la fabrication de glaçons en conséquence.

## REMARQUE

Si l'arrivée d'eau à l'appareil à glaçon est coupée, assurez-vous de passer le contrôle électronique en position désactivée (OFF), ou débranchez l'appareil du secteur.

## Production de glaçons

En mode normal l'appareil à glaçons va produire jusqu'à 17,7 kg (39 livres) de glace transparente par période de 24 heures, quand elle est installée en température ambiante de 72°F, avec de l'eau arrivant à 55°F température. En mode "ECO" (Voyez en page 16) l'appareil à glaçons produira jusqu'à 13,2 kg (29 livres) de glace transparente par période de 24 heures, dans les mêmes conditions.

## REMARQUE

La production initiale de glaçons, et les glaçons fabriqués et accumulés dans le bac, vont évoluer de façon sensible. C'est le fonctionnement normal. Durant les premières 24 heures de fonctionnement l'appareil va bien produire environ 39 livres de glaçons aux conditions de température précédemment mentionnées, mais en démarrant avec un bac à glaçons vide l'accumulation effective dedans ne sera que de 18 livres de glaçons. Par conception le bac à glaçons est maintenu à une température légèrement au-dessus de zéro pour permettre que les glaçons accumulés fondent lentement, afin de préserver leur qualité et leur clarté, et assurer une fourniture constante de glaçons récents. Au fur et à mesure de l'accumulation de glaçons dans le bac, le taux de production va dépasser la perte par fusion, et la pleine capacité du bac sera remplie.

## Sonorités nouvelles

L'appareil à glaçons va générer des sons qui sont différents de ceux de votre réfrigérateur domestique. Comme ces sons sont nouveaux pour vous, ils peuvent vous inquiéter, mais ils sont probablement normaux. Le processus de production va émettre des bruits qui ne sont pas typiquement ceux d'un appareil réfrigérant, comme les glaçons tombant sur une surface dure, l'eau cascasant au travers de l'évaporateur, et les vannes s'ouvrant et se fermant. Voici quelques uns des sons que vous pourriez entendre :

Un son vibrant sera perçu quand la vanne d'eau s'ouvre pour remplir le réservoir d'eau.

Vous pouvez entendre un bruit de crécelle pouvant être dû à un écoulement dans la conduite d'eau.

Un bruit d'éclaboussement peut être entendu quand de l'eau est envoyée sur la plaque d'évaporateur et dans le réservoir d'eau.

Un bruit sourd quand la plaque de glace est libérée de la plaque d'évaporateur et glisse sur la grille de coupe.

Des cliquetis quand les cubes tombent dans le bac de stockage des glaçons.

Un gargouillement quand le fluide réfrigérant traverse l'appareil à glaçons.

Un bruit d'air venant du ventilateur de condenseur.

## DIMENSIONS DU PRODUIT

MODÈLE	DIMENSIONS D'OUVERTURE BRUTE			DIMENSIONS D'ARMOIRE					
	«A»	«B»	«C»	«D»	«E»	«F»	«G»	«H»	«J»
ML15C*S	15 po (38,1 cm)	**34 po to 35 po (86,4 to 88,9 cm)	24 po (61 cm)	14 <sup>7</sup> / <sub>8</sub> po (37,8 cm)	33 <sup>3</sup> / <sub>4</sub> po to 34 <sup>3</sup> / <sub>4</sub> po (85,7 to 88,3 cm)	23 <sup>5</sup> / <sub>8</sub> po (60 cm)	25 <sup>5</sup> / <sub>16</sub> po (64,9 cm)	37 <sup>13</sup> / <sub>32</sub> po (95 cm)	16 <sup>11</sup> / <sub>16</sub> po (42,4 cm)
ML15C*P	15 po (38,1 cm)	**34 <sup>1</sup> / <sub>4</sub> po to 35 <sup>1</sup> / <sub>4</sub> po (87 to 89,5 cm)	*24 po (61 cm)	14 <sup>7</sup> / <sub>8</sub> po (37,8 cm)	34 po to 35 po (86,4 to 88,9 cm)	22 <sup>1</sup> / <sub>2</sub> po (58,3 cm)	-	38 <sup>5</sup> / <sub>8</sub> po (98,1 cm)	14 <sup>1</sup> / <sub>8</sub> po (35,9 cm)

STYLE DE PORTE
(S) Porte pleine
(P) Porte pleine à revêtement (sans poignée)

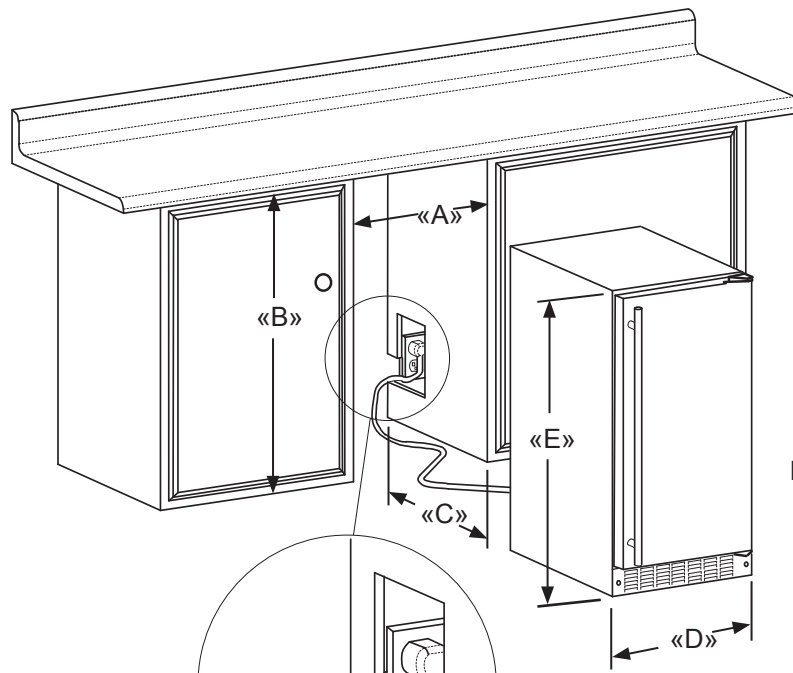


Figure 17

Figure 17a



Figure 18

S'il est nécessaire de gagner du dégagement à l'intérieur de l'ouverture brute, un trou peut être percé au travers du meuble adjacent et le cordon d'alimentation passé par ce trou jusqu'à une prise secteur. Une autre façon d'augmenter la profondeur disponible dans l'ouverture est d'encastrer la prise secteur dans le mur arrière afin de gagner l'épaisseur de la fiche du cordon. Tous les types de prises secteur encastrées ne fonctionneront pas pour cette application car elles pourraient être trop étroites, mais un modèle équivalent à l'Arlington #DVFR1W est recommandé pour cette application (Voyez la Figure 18).

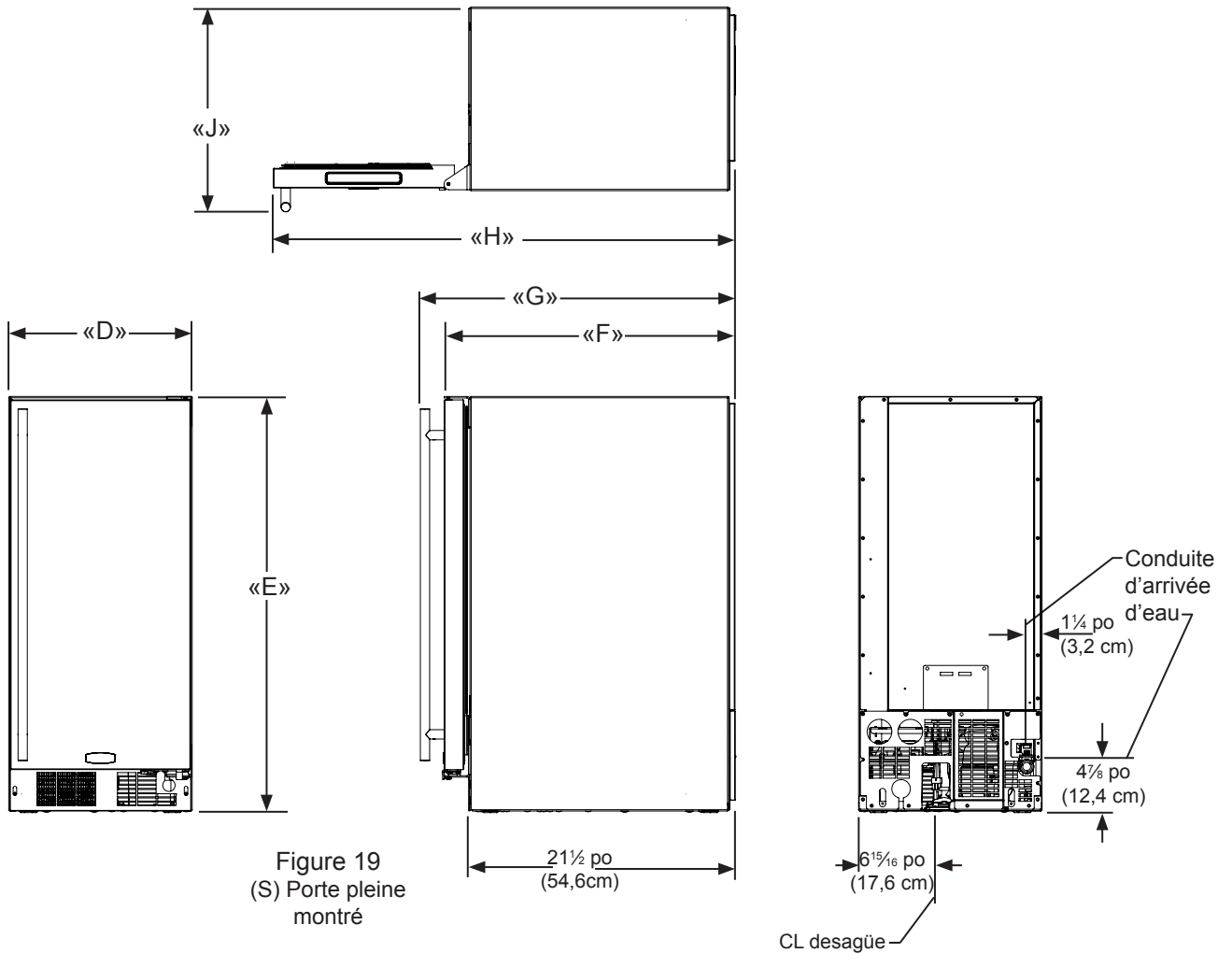
## DIMENSIONS DU PRODUIT

DONNÉES DE PRODUIT		
MODÈLE	BESOINS ÉLECTRIQUES #	POIDS DU PRODUIT
ML15C*S	115V/60Hz/15A	105 lbs (47,7 kg)
ML15C*P	115V/60Hz/15A	105 lbs (47,7 kg)

\* Pour installer les modèle (P) avec la face de porte alignée avec les portes des meubles de rangement adjacents, l'épaisseur du panneau décoratif du client ne peut pas dépasser 3/4 po (19mm).

\*\* L'ouverture brute minimale nécessaire doit être supérieure à la hauteur ajustée de l'armoire.

# Un circuit secteur dédié avec liaison de terre supportant 15 A est nécessaire. Appliquez toutes les normes de construction locales à l'installation de l'électricité et de l'appareil.



# UTILISATION DE VOTRE COMMANDE ÉLECTRONIQUE



Figure 20  
Affichage d'interface utilisateur

## Icônes d'affichage:



Icône "M/A" (On/Off) : Utilisée pour activer et désactiver l'appareil.



Icône "MENU" : Utilisée pour accéder aux fonctions optionnelles dans l'interface utilisateur.



Icône "DURÉE DE MINUTERIE" : Utilisée pour entrer dans le mode de démarrage différé/vacances.



Icône "VERROUILLAGE" : Utilisée pour bloquer les fonctions dans l'interface utilisateur.

## REMARQUE

L'affichage de commande est recouvert d'un film plastique transparent de protection. Ce film peut être ôté en le soulevant délicatement depuis un angle.

## Démarrage de votre appareil à glaçons :

Branchez votre machine à glaçons dans une prise secteur murale de 115V (Voyez les informations électriques sur page 5). Votre appareil sort de l'usine dans le mode « ICE » et commencera aussitôt à produire des glaçons après la routine de démarrage.

Lors de la mise sous tension de l'appareil, ou après une interruption de puissance, la machine à glace effectuera un autotest, suivi d'un cycle de récolte pour effacer toute la production en cours de la glace. Cette routine de démarrage (« après la puissance est appliquée à l'appareil ») prend environ 13 minutes pour terminer avant qu'un cycle de production de glace commence.

Si votre appareil ne démarrait pas, confirmez la présence de tension sur la prise, et contrôlez que l'appareil est bien en mode « ICE » (Voyez la section sur les options plus loin). Ne démarrez pas la machine à glaçons en mode « ECO ». Ce mode d'économie ne peut s'utiliser qu'une fois que le bac a été rempli de glaçons.

## Texte de zone d'affichage :

**ICE**

Signifie que l'appareil est en marche et produit des glaçons

**ECO**

Signifie que l'appareil est en mode économique de production de glaçons

**OFF**

Signifie que l'appareil est arrêté

**DOOR**

Signifie une condition d'alerte pour porte entrouverte

**CLEAN**

Un nettoyage est recommandé ou bien l'appareil est déjà en mode de nettoyage

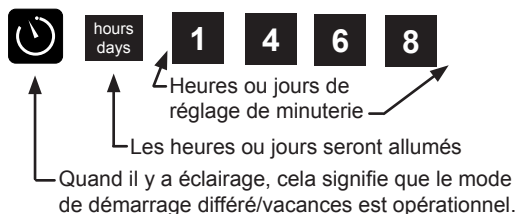
## Activation et désactivation de votre appareil à glaçons :

Si votre appareil est en marche, "ICE" sera affiché. Pour arrêter l'appareil, appuyez sur l'icône "M/A" (ON/OFF) en maintenant la pression pendant 3 secondes. L'affichage va alors montrer "OFF". La pompe de drainage (s'il y a lieu) et l'éclairage intérieur vont rester activés pendant le mode d'arrêt. Pour remettre en marche l'appareil, appuyez sur l'icône "M/A" (ON/OFF) en maintenant la pression pendant 3 secondes, l'affichage va alors montrer "ICE".

## REMARQUE

Quand elle est mise à l'arrêt, l'appareil à glaçons va d'abord terminer son cycle de production de glaçons entamé, avant de cesser toute activité.

## Mode de démarrage différé/vacances :



# UTILISATION DE VOTRE COMMANDE ÉLECTRONIQUE



## AVERTISSEMENT

En passant l'appareil à glaçons à l'arrêt (OFF), la production de glaçons cesse mais l'appareil reste alimenté électriquement. Il faut donc toujours débrancher le cordon d'alimentation secteur de la prise murale avant d'intervenir sur l'appareil.

### Verrouillage des commandes :

L'interface utilisateur peut être verrouillée pour éviter des changements non voulus au cours d'actions comme le nettoyage. Pour verrouiller l'appareil, appuyez sur l'icône "LOCK" pendant 5 secondes. L'icône "LOCK" va clignoter 3 fois, puis passer en rétro-éclairage fixe. Pour déverrouiller l'interface utilisateur, appuyez sur l'icône "LOCK" en maintenant la pression pendant 5 secondes, et le rétro éclairage va s'éteindre.



## REMARQUE

L'icône "LOCK" reste la seule commande active dans ce mode. Si les autres icônes sont pressées durant le mode de verrouillage, l'icône "LOCK" va clignoter 3 fois, et une tonalité va retentir, pour rappeler à l'utilisateur que l'application est en mode de verrouillage.

### Alerte sur porte restée entrouverte :

Si la porte après avoir été ouverte n'est pas bien refermée après 5 minutes, l'indicateur "DOOR" va s'allumer et clignoter, avec une tonalité audible. Cette alerte sonore peut être redue muette en actionnant alors la commande "Lock". Cette condition d'alerte peut être annulée en fermant la porte ou en actionnant momentanément l'icône "ON/OFF" (par exemple si vous êtes en train de nettoyer le compartiment de stockage). L'alerte va recommencer 5 minutes après si la condition anormale persiste.

**DOOR**



### Codes d'erreur :

L'appareil à glaçons est surveillé en permanence. Une situation de COUPURE ou COURT-CIRCUIT sur un capteur de température, ou un problème de communication entre le contrôle et l'interface utilisateur, vont générer un CODE D'ERREUR parmi ceux listés plus bas.

### Mode démarrage différé/vacances :

Votre appareil à glaçons comporte une fonction de démarrage différé. Elle peut s'utiliser pour couper temporairement l'appareil, pour 1, 4, 6 ou 8 heures ou jours. Une fois le délai choisi écoulé, l'appareil reprendra son fonctionnement. C'est un moyen idéal pour faire cesser les bruits de l'appareil ou pour économiser de l'eau et de l'électricité si vous vous absentez mais désirez trouver des glaçons frais à votre retour.

Pour entrer dans ce mode de temporisation, appuyez sur l'icône "CLOCK" quand l'appareil tourne en mode "ICE". Cela va retarder la prochaine récolte pour la durée affichée. Chaque appui supplémentaire sur "CLOCK" va allonger le délai, depuis 1 jusqu'à 4, 6, ou 8 heures ou bien jours. Le prochain appui après un délai max. de 8 jours va faire quitter le mode de démarrage différé. Une fois que le délai voulu a été sélectionné, appuyez sur l'icône "ON/OFF" pendant 2 secondes pour la validation, votre appareil va se couper, et une icône en forme d'horloge plus la durée sélectionnée vont être affichées. Quand le délai sélectionné est écoulé, la production normale de glaçons reprend.



hours  
days

**1 4 6 8**



Pour annuler le démarrage différé, appuyez sur l'icône "ON/OFF" et maintenez la pression jusqu'à ce que l'appareil passe en arrêt (OFF), puis recommencez jusqu'à ce que l'appareil passe en mode "ICE".



**OFF**



**ICE**

### Rappel pour nettoyage :

Un rappel "CLEAN" se produira tous les 6 mois pour vous dire qu'il est temps de nettoyer votre appareil. Au fil du temps des minéraux peuvent s'accumuler sur la plaque froide d'évaporateur, ce qui a un effet néfaste sur la qualité de votre glace. L'importance de ce dépôt varie selon votre source d'eau et votre utilisation. La production va se poursuivre pendant que le rappel "CLEAN" est affiché. Vous pouvez effacer ce rappel "CLEAN" n'importe quand en appuyant momentanément sur l'icône "ON/OFF". Avec cette action le rappel "CLEAN" va s'effacer et ne reviendra pas avant une nouvelle période de 6 mois. Si vous choisissez de nettoyer l'appareil à ce moment là, consultez la sélection du menu options qui suit.

**CLEAN**



Codes d'erreur			
Erreur	Code affiché	Description de l'erreur	Action à prendre
Erreur au capteur de bac	"OFF" va clignoter continuellement à des intervalles de 1 seconde au niveau de l'affichage. Il n'y a pas d'alerte sonore.	Panne de capteur de température. L'appareil va immédiatement passer en arrêt (OFF).	Faites appel au service pour faire remplacer le capteur de température.
Erreur de détecteur de système	"ICE" va clignoter continuellement au niveau de l'affichage. Il n'y a pas d'alerte sonore.	Panne de capteur de température du condenseur. L'appareil va continuer de fonctionner mais le cycle de production des glaçons ne s'adaptera plus selon les variations de conditions ambiantes, et de ce fait leur qualité peut varier.	Faites appel au service pour faire remplacer le capteur de température.
Erreur de communication	Clignotement continu de tous les indicateurs sur l'affichage.	Perte de communication entre la carte maîtresse de contrôle et l'interface utilisateur.	Faites appel au service pour faire effectuer un diagnostic de contrôle.

# NETTOYAGE DE VOTRE APPAREIL À GLAÇONS

## Menu d'options :

### Mode Normal et ECO :

Votre appareil à glaçons possède un mode "ECO" optionnel. Dans ce mode la cadence de production des glaçons va ralentir, et l'appareil consommera moins d'eau et d'électricité. Ce mode d'économie ne peut se lancer qu'une fois que le bac a été rempli de glaçons. Pour entrer dans ce "ECO", voici ce qu'il faut faire :

- Appuyez deux fois sur l'icône "MENU" et "ECO" va clignoter en vert.
- Appuyez et maintenez activée l'icône "ON/OFF" jusqu'à ce qu'"ECO" cesse de clignoter et reste allumé en vert fixe.
- Pour revenir au mode Standard de fonctionnement, appuyez deux fois sur l'icône "MENU", ECO va s'éteindre et "ICE" va clignoter. Appuyez et maintenez activée l'icône "ON/OFF" jusqu'à ce qu'"ICE" cesse de clignoter et reste allumé.



ECO



ICE

## Une fois que vous avez obtenu votre produit nettoyant :

Mettez l'appareil à glaçons à l'arrêt, en appuyant sur l'icône "M/A" (ON/OFF) pendant 3 secondes. "OFF" sera affiché sur le contrôle.



OFF

Suivez cette procédure en trois étapes pour déposer le couvercle de grille de coupe de l'appareil à glaçons (Référez-vous aux Figures 23 et 24).

- 1-Tirez d'abord sur cet angle pour sortir le couvercle de la cheville de montage.
- 2-Tirez ensuite sur cet angle pour sortir le couvercle de la cheville de montage.
- 3-Passez derrière le couvercle pour le pousser vers vous, afin de le dégager de la cheville de montage centrale.

Ôtez tous les glaçons de leur bac (Voyez la Figure 24).

Vidangez le réservoir d'eau, en ôtant le bouchon noir du bas du réservoir d'eau fraîche (Voyez la Figure 25). Une fois toute l'eau évacuée, remettez le bouchon en bas du réservoir.

Laissez toute la glace tomber de la plaque d'évaporateur et éliminez toute glace résiduelle de la grille de coupe. S'il y a de la glace emprisonnée dans les fils de la grille de coupe, attendez qu'elle fonde et tombe. **N'essayez pas de dégager la glace prise dans les fils de grille de coupe car vous pourriez casser ces fils** (Voyez les Figures 21 et 22).

## Mode de nettoyage :

Pour assurer une performance et une qualité de glace maximales, il est recommandé de nettoyer votre appareil à glaçons une fois tous les six mois.



**ATTENTION**

N'utilisez que des produits nettoyants approuvés pour appareils à glaçons, et suivez bien les mises en garde et instructions de leur étiquette. L'utilisation incorrecte d'un produit chimique, et tout dommage ou blessure qui pourrait s'ensuivre, ne sont pas couverts par la garantie.

**REMARQUE**

À titre de référence visionnez notre vidéo sur "Entretien et nettoyage" depuis notre site Web : [www.marvelrefrigeration.com](http://www.marvelrefrigeration.com).

Pour nettoyer votre appareil à glaçons vous devrez acheter un produit nettoyant adapté sans effet néfaste sur le nickel. Vous pouvez obtenir un tel produit nettoyant en contactant le service à la Clientèle de Marvel au 800-223-3900, ou chez la plupart de nos revendeurs d'appareils, ou depuis le site Web des nettoyants. Voici quelques-uns des produits nettoyants recommandés pour appareils à glaçons :

- Nettoyant certifié de Kirky, 100 % inoffensif sur le nickel.
- Nettoyant Nu-Calgon préservant le nickel.
- Nettoyant Franklin Appareil Products préservant le nickel.



**ATTENTION**

Le fait de forcer le passage de glaçons au travers de la grille de coupe peut briser ses fils.

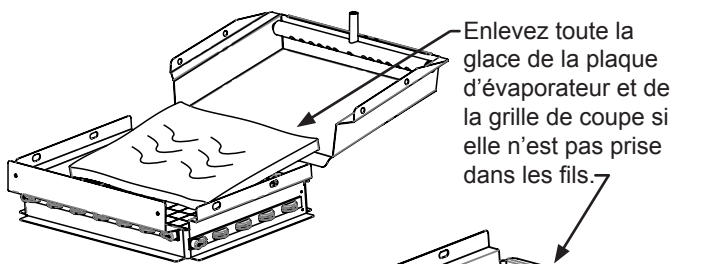


Figure 21

Enlevez toute la glace de la plaque d'évaporateur et de la grille de coupe si elle n'est pas prise dans les fils.

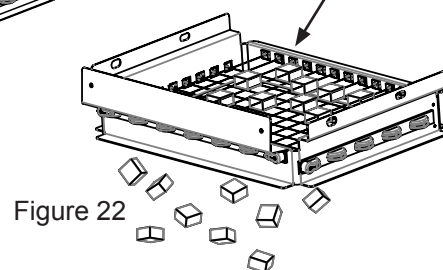


Figure 22



# NETTOYAGE DE VOTRE APPAREIL À GLAÇONS

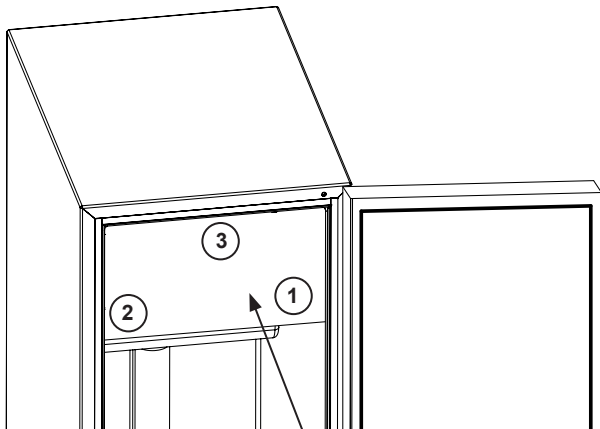


Figure 23

Ôtez le couvercle de la grille de coupe



Éliminez tout le contenu du bac à glaçons

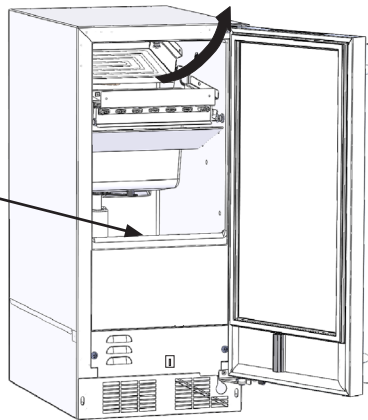


Figure 24

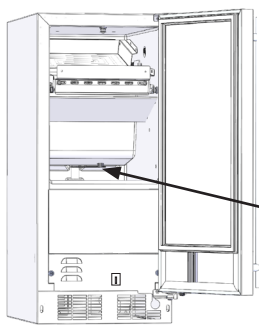


Figure 25

Ôtez le bouchon noir de drainage de réservoir du bas du réservoir.

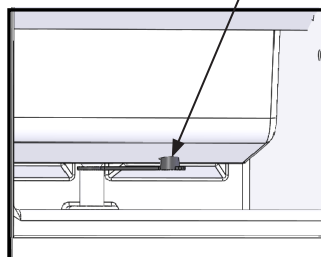


Figure 25b

Référez-vous aux instructions de la solution de nettoyage pour déterminer la quantité adéquate à ajouter à 1,9 litre (2 quarts) d'eau. Ôtez l'écran en plastic anti-projections pour faciliter l'accès (Voyez la Figure 26). Versez lentement la solution de nettoyage sur la plaque d'évaporateur pour qu'elle coule jusqu'au réservoir d'eau fraîche (Voyez la Figure 27).

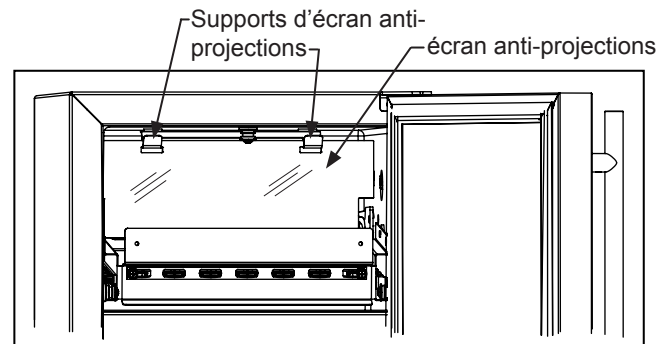


Figure 26

Remettez en place l'écran anti-projections s'il avait été ôté.

Remettez l'appareil à glaçons en marche, en appuyant sur l'icône "M/A" (ON/OFF) pendant 3 secondes. L'affichage va indiquer le mode "ICE". Appuyez et maintenez l'icône "MENU" jusqu'à l'affichage clignotant de "CLEAN". Actionnez de nouveau l'icône "ON/OFF" jusqu'à ce que "CLEAN" arrête de clignoter. Votre appareil à glaçons va maintenant entrer en cycle de nettoyage.



ICE



CLEAN

OFF

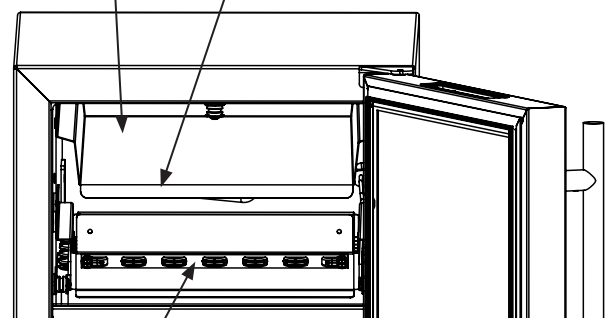
Le cycle de nettoyage et de rinçage durera environ 49 minutes.

Une fois le cycle de nettoyage terminé, l'appareil à glaçons reviendra en position d'arrêt (OFF).

Après l'exécution du cycle de nettoyage, vérifiez que toute accumulation a bien été chassée. Si ce n'est pas le cas relancez le cycle de nettoyage.

Plaque d'évaporateur

Versez lentement de la solution de nettoyage sur le bord avant de la plaque d'évaporateur, derrière la grille de coupe.



Grille de coupe

Figure 27

# INSTALLATION DE PANNEAU DE REVÊTEMENT DE PORTE

## REMARQUE

### Annulation du mode de nettoyage :

Pour sortir du mode de nettoyage, pressez et maintenez appuyée l'icône "ON/OFF" jusqu'à ce que "OFF" soit affiché. Attendez 3 minutes que le mode de nettoyage accomplisse sa routine d'annulation avant de remettre en marche l'appareil en pressant et maintenant appuyée l'icône "ON/OFF". Si vous remettez en marche l'appareil avant ces 3 minutes, l'affichage montrerait "CLEAN" et l'appareil se mettrait toute seule à l'arrêt à la fin de sa routine de 3 minutes d'annulation de nettoyage.

## AVERTISSEMENT

Si vous annulez le mode de nettoyage après avoir ajouté du nettoyant pour appareil à glaçons, vous devez redémarrer le nettoyage et laisser son cycle s'accomplir pour éliminer la solution de nettoyage avant de pouvoir reprendre la production de glaçons.

**Optionnel :** Une fois le cycle de nettoyage terminé, vous pouvez laver l'intérieur avec du détergent doux/liquide pour laver la vaisselle, ou une solution de deux tablettes de bicarbonate de soude dans 0,9 litre d'eau. Rincez ensuite à l'eau claire.

Remettez en place le couvercle de la grille de coupe

## ATTENTION

N'utilisez pas de produits de nettoyage à base d'eau de javel ni de produits de nettoyage abrasifs. Les produits de nettoyage chlorés vont attaquer l'acier inox, en le rendant vulnérable à la corrosion.

Pressez et maintenez appuyée l'icône "ON/OFF" jusqu'à ce que "ICE" soit affiché.



ICE

## REMARQUE

Après un nettoyage il est recommandé de jeter les glaçons produits durant les trois premières heures.

Si vous avez acheté un modèle à panneau de revêtement, votre machine à glaçons est équipée de charnières articulées pour permettre des installations complètement encastrées. Des épaisseurs de panneau de 5/8 po (15 mm) et 3/4 po (18 mm) sont acceptées.

## ATTENTION

Il est important d'utiliser la grille fournie par l'usine avec le produit pour assurer qu'un flux d'air approprié sera maintenu au travers du condenseur. L'utilisation d'une grille personnalisée n'est pas recommandée et annulerait la garantie.

## AVERTISSEMENT

Les modèles pour panneau de revêtement sont conçus pour une utilisation avec des **installations encastrées uniquement**. Leur utilisation en installations autonomes peut causer des blessures.

### Étape 1 : Dépose de la porte

Avec un tournevis à pointe Phillips, ôtez la vis et le collier en «P» du bas de porte près de la charnière (Voyez la Figure 28b).

Débranchez le faisceau des fils de porte en appuyant et en maintenant sur le loquet de blocage qui est dessus et en sortant le faisceau (Voyez la Figure 29).

Ouvrez la porte et desserrez les vis maintenant les charnières sur l'armoire (2 à la charnière du haut, 2 à la charnière du bas). N'enlevez pas ces vis, il faut juste les desserrer suffisamment pour que les charnières puissent être sorties en glissant hors des vis en penchant la porte sur le côté.

## AVERTISSEMENT

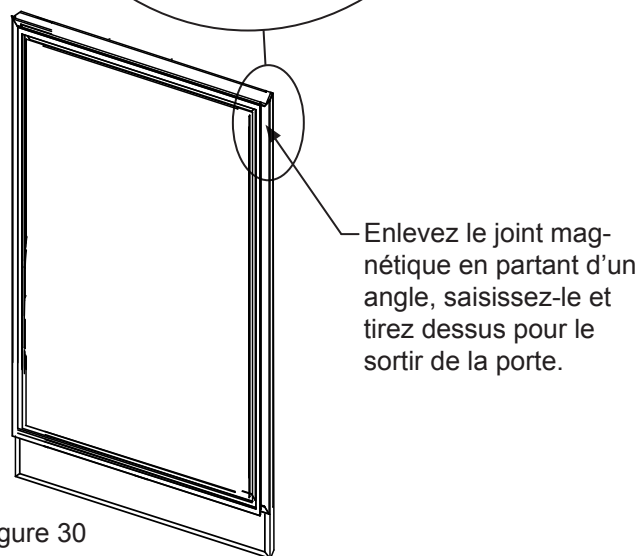
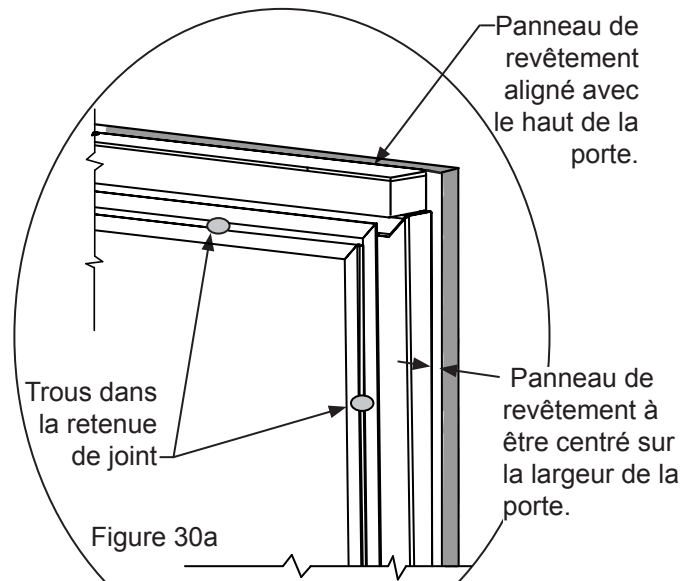
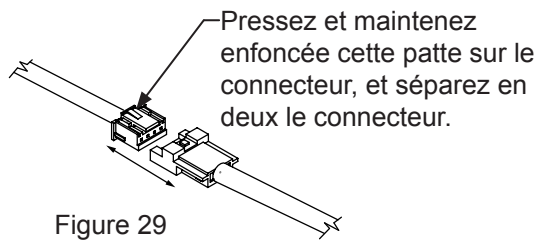
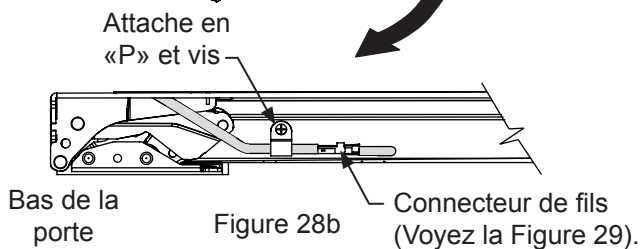
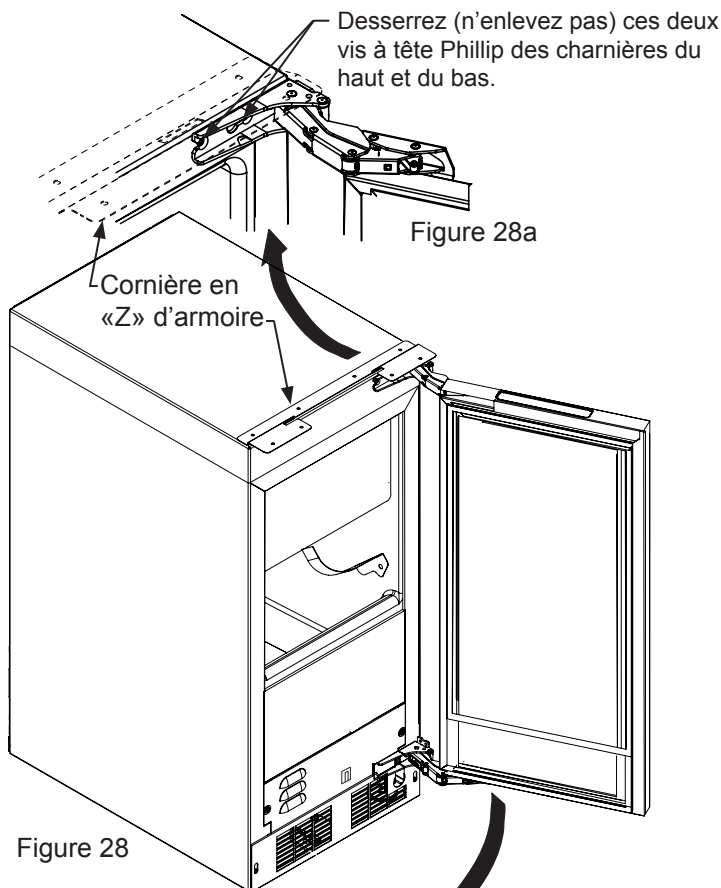
Les pentures articulées peuvent comporter plusieurs points de pincage. Pliez (fermez) soigneusement les pentures dès que la porte soit enlevée de l'armoire.

Avec un assistant, et en faisant attention de ne pas rayer l'armoire ou la porte, glissez la porte sur le côté d'environ un demi-pouce (12,7 mm) et sortez les charnières et la porte du machine à glaçons.

## AVERTISSEMENT

Utilisez une extrême prudence avec les charnières articulées. La charnière se referme toute seule et il existe de nombreux points de pincage avant l'installation encastrée. **N'enlevez pas la cornière en «Z» du haut de l'armoire.**

# INSTALLATION DE PANNEAU DE REVÊTEMENT DE PORTE



Le poids du revêtement de porte ne doit pas dépasser 15 lb (6,8 kg) pour un modèle à porte pleine.

## Étape 2 : Dépose du joint de porte

Avec la porte reposant sur une surface plane, et en partant d'un des ses angles, ôtez le joint de porte magnétique de la face intérieure de la porte (Voyez la Figure 30). Mettez de côté ce joint sur une surface plane.

Il y a 10 trous dans les extrusions de retenue de joint (3 de chaque côté et 2 en haut et en bas) qui sont utilisés pour fixer le panneau dur l'avant de la porte. Les vis sont fournies dans le sachet de la documentation.

## Étape 3 : Coupez et percez le panneau de revêtement

Selon votre modèle, coupez le panneau de revêtement de porte aux dimensions montrées aux Figures 31 à 34.

# INSTALLATION DE PANNEAU DE REVÊTEMENT DE PORTE

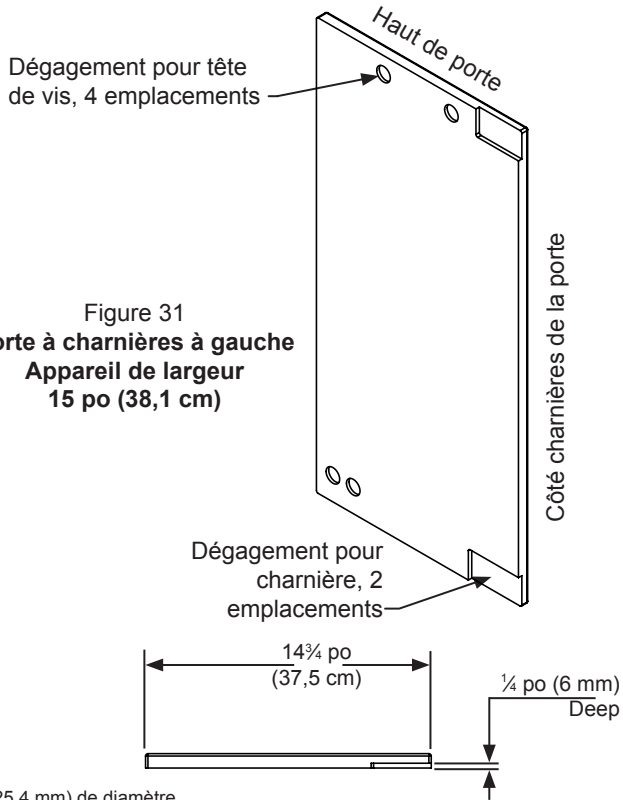


Figure 31  
Porte à charnières à gauche  
Appareil de largeur  
15 po (38,1 cm)

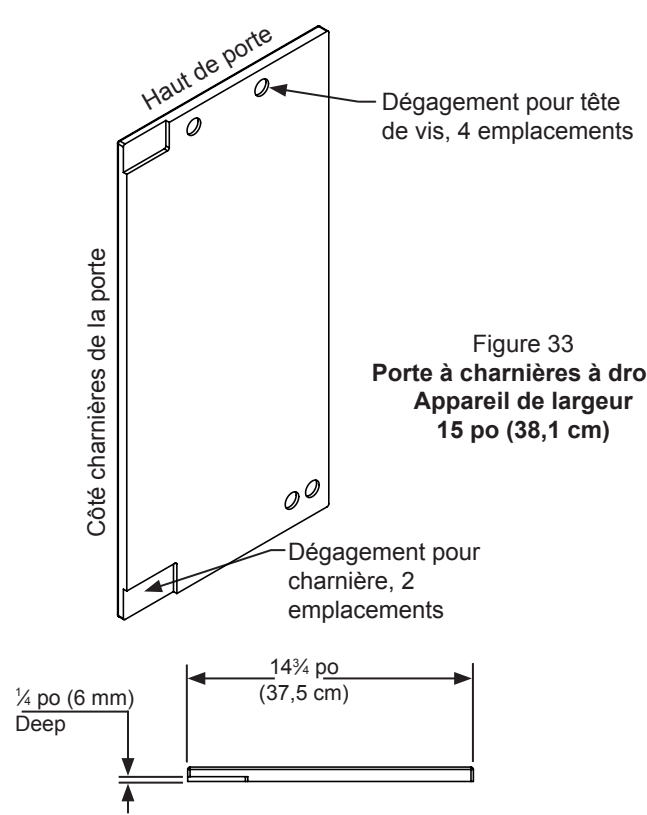


Figure 33  
Porte à charnières à droite  
Appareil de largeur  
15 po (38,1 cm)

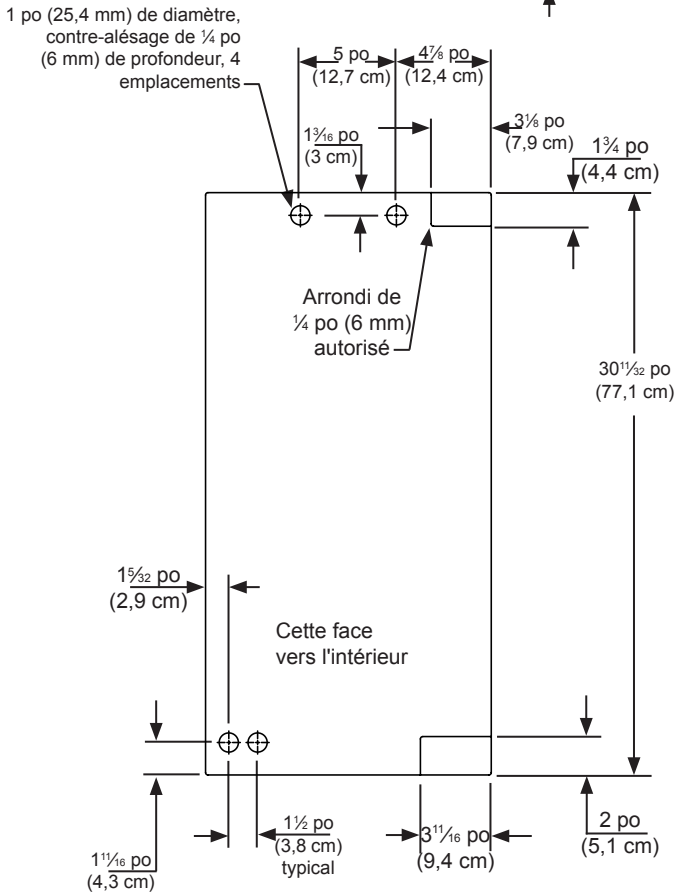


Figure 32  
Porte à charnières à gauche  
Appareil de largeur 15 po (38,1 cm)

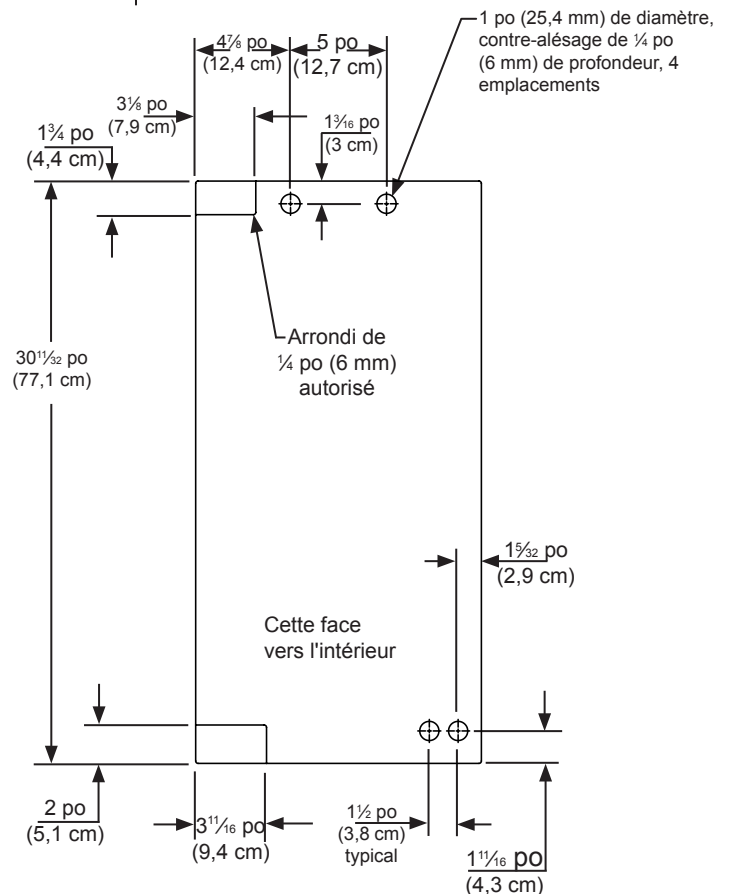


Figure 34  
Porte à charnières à droite  
Appareil de largeur 15 po (38,1 cm)

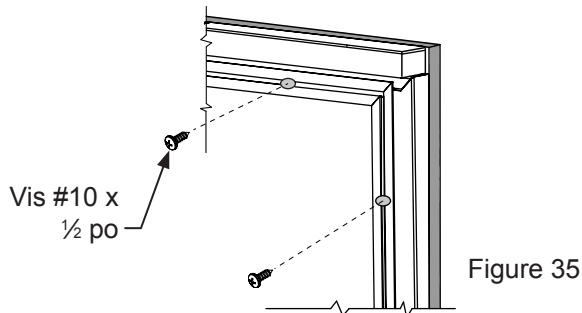
# INSTALLATION DE PANNEAU DE REVÊTEMENT DE PORTE

Type de matériau	Vis à bois #10
Bois dur	Avant trou Ø 1/8 po (2 mm)
Bois tendre	Avant trou Ø 7/64 (0,8 mm)

Tableau B

## Étape 4 : Assemblez le panneau sur la porte

La méthode préférée pour fixer le panneau sur la porte est de le tenir dessus par serre-joints pour éviter tout déplacement durant le perçage d'avant-trous. Utilisez des serre-joints à barre ou en «C» avec des tampons sur les surfaces à serrer pour ne pas marquer le panneau de revêtement ou la porte. Le panneau de revêtement personnalisé doit arriver au même niveau que le haut de la porte, et le long de la largeur centrée de la porte (Voyez la Figure 30a). Percez des trous au travers de l'extrusion du joint en utilisant les 10 trous existants comme des avant-trous. Prenez une taille de foret selon la recommandation du Tableau B, en veillant à ne pas traverser la face avant au perçage en n'allant pas à profond. Si le panneau de revêtement est plus mince que 3/8 po (16 mm), il vous faudra vous procurer des vis plus courtes. Fixez le panneau sur la porte avec les 10 vis fournies dans le sachet de documentation (Voyez la Figure 35). Enlevez les serre-joints et remettez en place le joint dans les canaux de son extrusion sur la porte. Il faut appliquer une certaine force pour bien insérer le joint dans ces canaux. Assurez-vous que les angles du joint sont bien en place.

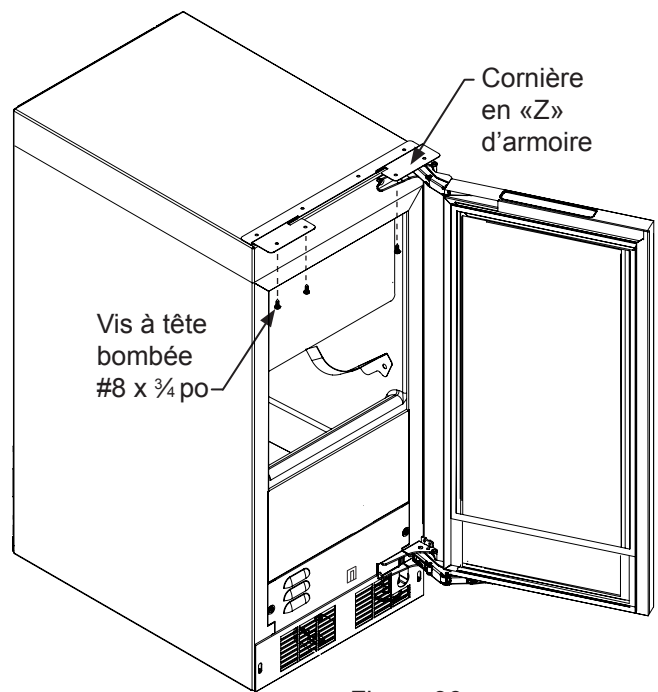


## Étape 5 : Installez la porte

Ouvrez soigneusement les charnières du haut et du bas sur la porte en vous méfiant des nombreux points de pinçage. Placez les charnières par-dessus les 4 vis dans l'armoire, 2 en haut et 2 en bas, et glissez la porte en position. Serrez ces 4 vis de charnières avec un tournevis à pointe Phillips (Voyez les Figures 28 et 28a). Placez le faisceau de fils depuis la grille et montez-le en bas de la porte avec la vis et le collier en «P» qui avait été enlevé à l'étape 1 (Voyez la Figure 28b). Reconnectez le faisceau de fils (Voyez la Figure 29).

## Étape 6 : Fixez l'armoire

Utilisez des vis #8 x 3/4 po du sachet de documentation pour fixer la surface du haut sur l'armoire au travers des trous dans la cornière en «Z» de l'armoire de machine à glaçons.



# L'ENTRETIEN ET LE NETTOYAGE, CONSEILS POUR L'ÉCONOMIE D'ÉNERGIE

## Grille frontale

Assurez-vous que rien n'obstrue les ouvertures pour flux d'air requises à l'avant de l'armoire. Au moins une à deux fois par an, chassez par brosse ou par aspiration les peluches et les saletés dans la zone de la grille avant (Voyez en page 4).



**RISQUE DE COMMOTION ÉLECTRIQUE :** Débranchez l'alimentation secteur de l'appareil avant de le nettoyer à l'eau savonneuse.

## Armoire

L'armoire peinte peut se laver avec une solution savonneuse douce, puis soigneusement se rincer à l'eau potable. N'utilisez JAMAIS de produits nettoyants abrasifs.

## Intérieur

Lavez le compartiment intérieur avec une solution savonneuse douce. N'utilisez pas de nettoyant abrasif, de solvant, de produit nettoyant/polissant ou de détergent non-dilué.

## Soins pour l'appareil

1. Évitez de vous appuyer sur la porte, vous pourriez déformer ses charnières ou faire basculer l'appareil.
2. Faites attention quand vous balayez, aspirez ou passez la vadrouille près de l'avant de l'appareil. Vous pourriez endommager sa grille.
3. Nettoyez périodiquement l'intérieur de l'appareil selon le besoin.
4. Vérifiez périodiquement la grille frontale et les serpentins de condenseur, et nettoyez-les si nécessaire.

## En cas de coupure du secteur

Si une panne d'alimentation arrivait, essayez de la corriger le plus tôt possible. Minimisez le nombre d'ouvertures de porte pendant la coupure du secteur afin de ne pas affecter la température dans l'appareil.

## Remplacement de l'ensemble d'éclairage

Tous les modèles utilisent de lampes à diodes électroluminescentes (DEL) pour éclairer l'intérieur de l'appareil. Ce type de composant est très fiable, mais en cas de panne contactez un technicien de service qualifié pour le remplacement de l'éclairage à DEL.

## Les suggestions suivantes vont minimiser le coût de fonctionnement de votre appareil de refroidissement.

1. N'installez pas votre appareil près d'un autre appareil chaud (cuisinière, lave-vaisselle, etc.), d'une conduite d'air chaud, ou d'autres sources de chaleur.
2. Placez l'appareil à l'abri du rayonnement solaire direct.
3. Assurez-vous que les événements de la grille devant l'unité au-dessus de la porte ne sont pas obstrués et maintenus propres de façon à permettre une ventilation du système de refroidissement et chasser la chaleur.
4. Branchez votre appareil sur un circuit d'alimentation secteur dédié (Sans partage avec d'autres appareils).
5. Minimisez la fréquence et la durée des ouvertures de porte.
6. Réglez le contrôle en position d'arrêt (off) si le nettoyage de l'appareil nécessite que sa porte reste ouverte pour une période longue.
7. Utilisez le mode ECO si une quantité maximale de glaçons n'est pas nécessaire.
8. Utilisez la fonction de démarrage différé si l'appareil à glaçons ne doit pas être utilisé pendant de longues périodes.

## OBTENTION DE SERVICE

---

### Si du service est nécessaire :

- Si le produit est encore dans sa première année de garantie, veuillez appeler le service à la clientèle d'AGA MARVEL au 800.223.3900 pour avoir des instructions sur la façon d'obtenir une couverture sous garantie dans votre secteur.
- Si le produit est sorti de sa première année de garantie, le service à la clientèle d'AGA MARVEL peut vous fournir des recommandations sur les centres de service de votre secteur. Une liste des centres de service agréés est également disponible sur le site [www.agamarvel.com](http://www.agamarvel.com) sous la section de service et d'assistance.
- Dans toute correspondance relative au service, assurez-vous de bien fournir la référence de modèle, le numéro de série et le la facture d'achat.
- Essayez de donner des informations ou une description de la nature du problème, sur la durée pendant laquelle l'appareil a fonctionné, sur les températures de la pièce et de l'eau, et toutes les informations qui peuvent être utiles pour une résolution rapide du problème.
- Le Tableau «C» est fourni pour enregistrer les informations pertinentes sur votre produit, comme référence ultérieure.

Pour vos archives	
Date d'achat	
Nom du revendeur	
Adresse du revendeur	
Ville du revendeur	
État/province du revendeur	
Code Zip/postal du revendeur	
N° de série de l'appareil	
N° de série de l'appareil	
Date d'envoi de la carte de garantie (à faire dans les 10 jours après l'achat)	

Tableau C

# DÉPANNAGE DE L'APPAREIL À GLAÇONS

## Avant d'appeler pour du service

Si l'appareil semble présenter un dysfonctionnement, commencez par bien relire son manuel. Si le problème persiste, consultez le guide de dépannage qui suit. Identifiez le problème dans ce guide et consultez les colonnes de causes et de remèdes avant d'appeler pour du service. Le problème peut être quelque chose de très simple qui peut se résoudre sans demander une intervention de service. Cependant, il peut être nécessaire de contacter votre revendeur ou un technicien de service qualifié.

## Guide de dépannage :

### Dysfonctionnement de l'appareil à glaçons

#### L'appareil à glaçons ne fonctionne pas

**Le cordon d'alimentation secteur de l'appareil est-il bien branché ?** Enfichez la fiche du cordon d'alimentation dans une prise secteur à trois broches.

**La commande électronique affiche-t-elle la position "ICE" ?** Vérifiez la commande pour être sûr qu'elle est bien sur "ICE".

**Y a-t-il un fusible grillé ou un disjoncteur désenclenché en amont ?** Remplacez le fusible grillé ou réarmez le disjoncteur.

**La température de la pièce est-elle inférieure à la normale ?** La température minimale de la pièce est de 13 °C (55°F). La thermistance du bac peut détecter la température de la pièce et commander une coupure avant que le bac soit plein de glaçons. Si la température de la pièce reste trop basse l'appareil peut ne pas redémarrer.

**L'appareil à glaçons comporte-il une pompe de drainage ?** La pompe à drainage est conçue pour couper temporairement l'appareil quand de grandes quantités d'eau provoquent un dépassement de limite haute. Attendez quelques minutes pendant que la pompe de drainage contribue de travailler pour évacuer l'excédent d'eau. S'il reste encore de l'eau dans le bac à glaçons contrôlez la conduite de ventilation de pompe et la conduite de drainage, pour l'éventualité d'obstruction ou de pincement.

#### L'appareil à glaçons est bruyante

Les nombreux sons d'un appareil à glaçons diffèrent de ceux de votre réfrigérateur domestique. Ce sujet est couvert en page 11, mais contrôlez ceci :

**Entendez-vous de l'eau circulant dans l'appareil à glaçons ?** C'est un bruit normal car de l'eau est ajoutée à chaque nouveau cycle de fabrication de glaçons.

**Entendez-vous une sorte de sifflement ?** Assurez-vous que l'eau arrive bien à l'appareil à glaçons. Vérifiez aussi que le bouchon de drainage est bien inséré dans le réservoir d'eau.

**Une plaque de glace est-elle bloquée entre la plaque d'évaporation et la grille de coupe ?** Commencez par vérifier que l'appareil à glaçons est bien posée d'aplomb. Si c'est bien le cas, lancez un cycle de nettoyage.



## AVERTISSEMENT

### Risque d'électrocution

- Ne tentez jamais de réparer ou d'exécuter de la maintenance sur l'appareil avant que son alimentation électrique n'ait été débranchée en amont. Passer l'appareil sur arrêt (OFF) n'enlève pas la présence de tension secteur sur les fils de câblage.
- Remettez en place l'ensemble des pièces et panneaux avant de redémarrer.

### Mauvaise production des glaçons

#### Peu ou pas de production de glaçons par l'appareil

**Le contrôle électronique affiche-t-il la position "ICE" ?** Vérifiez la commande pour être sûr qu'elle est bien sur "ICE".

**De l'eau arrive-t-elle à l'appareil à glaçons ?** Assurez-vous que rien ne gêne l'alimentation en eau, comme un robinet fermé, un fusible grillé ou un disjoncteur déclenché, une conduite d'alimentation pincée ou une pression d'eau trop faible.

**L'appareil à glaçons vient-elle de démarrer ?** Un cycle type de production de glaçons prend jusqu'à 1,5 heure. Les cycles au tout début du fonctionnement peuvent même durer plus. Contrôlez l'appareil à glaçons après 24 heures en voyant l'accumulation de glaçons dans le bac.

**Le bouchon de drainage de réservoir est-il bien en place ?** Contrôlez que ce bouchon est bien enfoncé.

**Le tube de distributeur d'eau est-il bouché ?** Lancez un cycle de nettoyage pour débarrasser l'appareil à glaçons des dépôts. Contrôlez aussi que les filtres ne sont pas obstrués.

**Le flux d'air du ventilateur de condenseur est-il restreint ?** Assurez-vous que la grille à l'avant de l'appareil à glaçons est bien ouverte à la circulation de l'air.

**Les températures de la pièce et/ou de l'eau sont-elles trop chaudes ?** Déplacez alors l'appareil à glaçons à un endroit où la température ambiante est à moins de 32 °C (90°F) en cas de appareil encastrée, ou 38 °C (100°F) en cas de appareil isolée. L'appareil à glaçons ne doit pas être placée près d'une source de chaleur, comme un four. Contrôlez le raccordement à de l'eau froide.

**L'appareil à glaçons contient-elle une accumulation de tartre ?** S'il y a une accumulation de tartre dans l'évaporateur, l'appareil à glaçons a besoin d'être nettoyée. Consultez la section "Nettoyage de l'appareil à glaçons"



# DÉPANNAGE DE L'APPAREIL À GLAÇONS

## Qualité médiocre des glaçons

**Problème d'odeur, de couleur grise et de goût anormal pour les glaçons**

**Y a-t-il une accumulation de tartre sur la plaque d'évaporateur ?** L'appareil à glaçons a besoin d'un nettoyage. Consultez la section "Nettoyage de l'appareil à glaçons".

**L'eau a-t-elle une forte teneur en minéraux ?** L'eau a besoin d'être filtrée.

**Des aliments ont-ils été conservés dans le bac à glaçons ?** Enlevez tout aliment du bac à glaçons.

**Les odeurs déplaisantes** peuvent nécessiter l'utilisation d'un filtre à charbon inséré dans la conduite d'alimentation en eau

## **Amas de glaçons**

**Les glaçons s'agglomèrent-ils dans le bac ?** Si les glaçons ne sont pas consommés de façon régulière, ils fondront et formeront des amas. Vous pouvez séparer les glaçons des amas avec la pelle à glaçons.

## **Taille des glaçons trop grande ou trop petite**

**La consommation de glaçons est-elle faible ?** Les glaçons vont fondre lentement dans leur bac, et la taille des cubes diminuera donc. C'est normal. Quand le bac à glaçons aura besoin d'être regarni, la taille des cubes qui seront produits sera normale.

**La plaque de glace est-elle bien libérée ?** Nettoyez l'évaporateur. Consultez la section "Nettoyage de l'appareil à glaçons".

**Le tube de distributeur d'eau est-il bouché ?** Contrôlez la conduite d'eau vers l'appareil à glaçons pour vous assurer qu'elle n'a pas d'obstructions ou de pincements. Contrôlez aussi que les filtres ne sont pas obstrués. Vérifiez que l'eau coule régulièrement en sortie du tube de distributeur, sinon nettoyez l'appareil à glaçons. Consultez la section "Nettoyage de l'appareil à glaçons".

## Problèmes de plomberie

**Le tuyau de drainage est-il bien aligné au-dessus du drain ?** Déplacez l'appareil à glaçons pour aligner le drainage.

**L'appareil à glaçons se draine-t-elle correctement ?** Contrôlez l'absence de pincements ou de restriction sur les conduites de drainage ; cela peut faire que de l'eau remonte dans le bac à glaçons. Contrôlez qu'aucune matière étrangère ne bloque la sortie de drainage du bac à glaçons (située à son angle inférieur droit). Vérifiez la sortie de pompe de drainage, la conduite de ventilation, et l'absence de toute restriction ou pincement. Vérifiez que la pompe de drainage est d'aplomb.

## REMARQUE

En cas de soucis de plomberie à l'extérieur de l'appareil à glaçons, notre technicien de service ne peut pas intervenir dessus. Vous devez appeler un plombier qualifié.

## Dépannage de la pompe de drainage

### REMARQUE

Si le réservoir de pompe de drainage (et non le bac à glaçons) arrive au débordement, l'alimentation électrique de l'appareil à glaçons sera interrompue.

#### **Si l'appareil à glaçons ne fonctionne pas, vérifiez ceci :**

- Assurez-vous qu'il y a bien le secteur sur la prise.
- Assurez-vous que l'appareil à glaçons est bien en marche.
- Assurez-vous que le bac à glaçons n'est pas plein

#### **Puis contrôlez la pompe de drainage :**

##### **La pompe ne tourne pas :**

- Assurez-vous que la pompe est branchée et qu'il y a le secteur sur la prise.
- Contrôlez à l'entrée de la pompe de drainage la présence éventuelle de débris, et nettoyez si nécessaire. Enlevez les colliers et le tube d'entrée de la pompe de drainage pour contrôler/éliminer les débris.
- Assurez-vous que la conduite de ventilation ne comporte pas de pincements, courbures excessives ou restrictions.
- Assurez-vous qu'il y a assez d'eau pour que cela active la pompe de drainage. Il faut au moins 0,95 litre (1 quart de gallon) pour activer la pompe de drainage.

##### **La pompe tourne, mais il n'y a pas d'eau pompée :**

- Contrôlez que la ventilation est libre et exempte de restrictions.
- Contrôlez la conduite d'évacuation qui ne doit pas comporter de restrictions.
- Assurez-vous que le tube d'évacuation n'a pas dépassé l'élévation maximale de 2,44 m (8 pieds) et que son tronçon horizontal ne fait pas plus que 6,1 m (20 pieds).

##### **La pompe tourne, puis se coupe à répétitions :**

- Vérifiez que la pompe de drainage est d'aplomb.
- Contrôlez que la ventilation est libre et exempte de restrictions.

##### **L'appareil à glaçons tourne mais ne produit rien :**

- Vérifiez pour vous assurer que de l'eau ne remonte pas dans le bac à glaçons

# PRÉPARATION DE L'APPAREIL À GLAÇONS POUR L'ENTREPOSAGE

Si l'appareil à glaçons doit être déplacé, ou ne pas servir pendant assez longtemps, où passera à un endroit où la température sera près du point de gel, il est nécessaire d'évacuer toute l'eau résiduelle dans son système.



## ATTENTION

L'appareil à glaçons doit avoir toute son eau drainée et évacuée pour éviter qu'elle ne soit endommagée, ainsi que la zone qui l'environne dans des conditions de gel. Ce type de dommages n'est pas couvert par la garantie.



## ATTENTION

N'utilisez aucun type d'antigel ni d'autre solution pour remplacer un bon drainage de l'appareil à glaçons.

### Nettoyage de l'appareil à glaçons

Le nettoyage de l'appareil à glaçons aidera à éviter la prolifération de moisissures, tout en l'assainissant avant un entreposage ou au moment de sa remise en service. Voyez la page 16 pour des instructions sur le nettoyage de l'appareil à glaçons.



## AVERTISSEMENT

### Risque d'électrocution

Un risque de commotion électrique ou de blessure peut exister du fait de composants mobiles, si le couvercle d'accès au compartiment interne de l'appareil est ôté avant de l'avoir débranchée électriquement.

### Drainage et élimination de l'eau du système de appareil à glaçons avec un drainage par gravité.

1. Coupez l'alimentation en eau vers l'appareil à glaçons.
2. Débranchez le raccord d'alimentation en eau à l'entrée de la vanne d'eau (Voyez la Figure 37a).
3. Passez la commande électronique en position "CLEAN" pendant environ une (1) minute. Cela va activer et ouvrir la vanne d'eau et éliminer la plupart du contenu de la vanne et de la conduite de sortie de vanne vers le réservoir.
4. Passez le contrôle électronique en position "OFF". Cela va activer et ouvrir la vanne de drainage pour vider le réservoir et le système de drainage de l'appareil à glaçons.
5. Débranchez l'appareil à glaçons de la prise secteur.
6. Ôtez le couvercle d'accès de l'arrière de l'appareil à glaçons (Voyez la Figure 38).

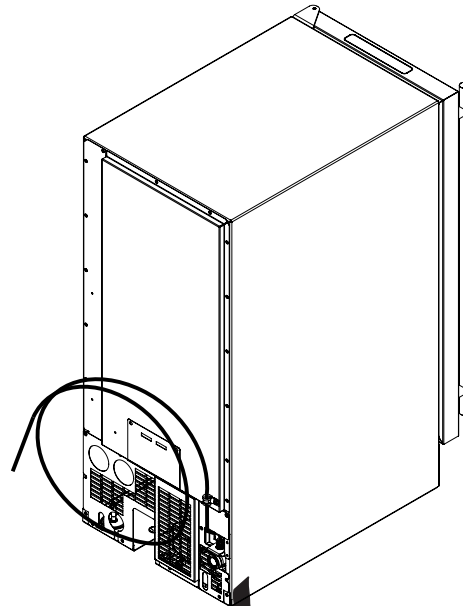


Figure 37  
Vue arrière de  
l'appareil à glaçons

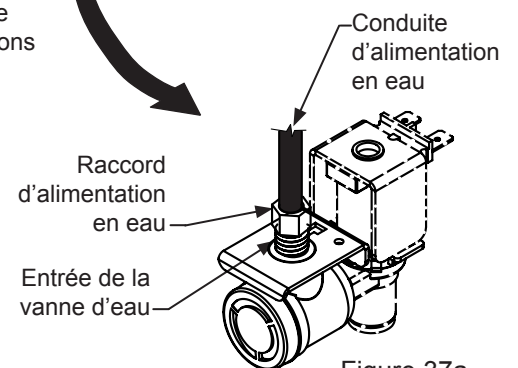


Figure 37a

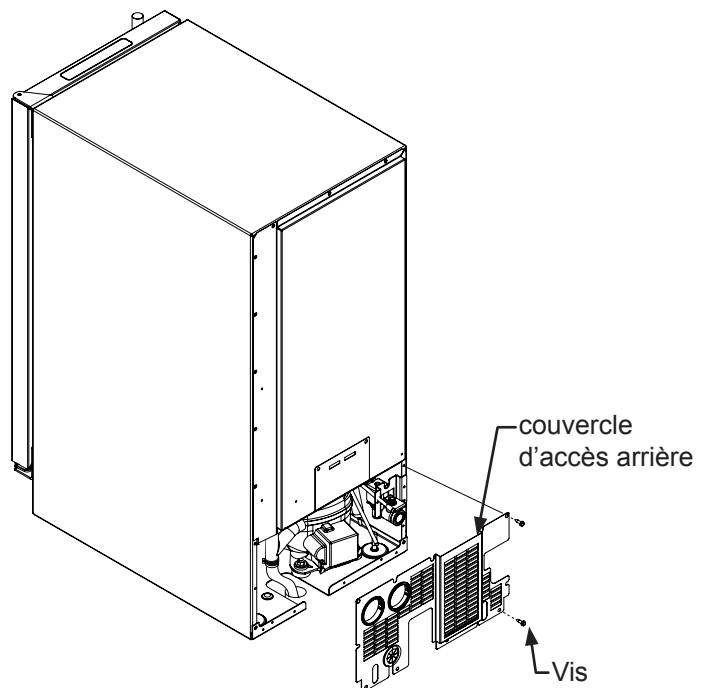


Figure 38

# PRÉPARATION DE L'APPAREIL À GLAÇONS POUR L'ENTREPOSAGE

7. Débranchez la conduite de sortie de la vanne d'eau vers le réservoir, et drainez l'eau résiduelle de la zone de piège de la conduite d'eau (Voyez les Figures 39 et 39a).

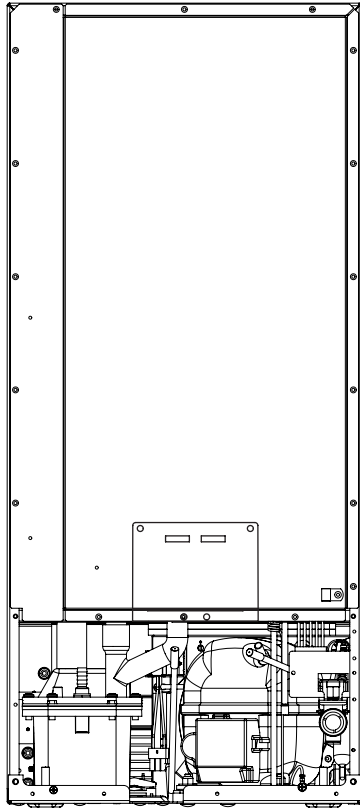


Figure 39

**Pour débrancher la conduite de sortie d'eau :** Poussez vers le haut le collier blanc et retirez la conduite d'eau en plastique du bas de la vanne d'eau.

**Pour rebrancher la conduite de sortie d'eau :** Insérez simplement le tube en plastique dans le collier blanc et poussez-le jusqu'à l'arrêt (environ 12 mm ou 1/2" de conduite d'eau va pénétrer dans la vanne).

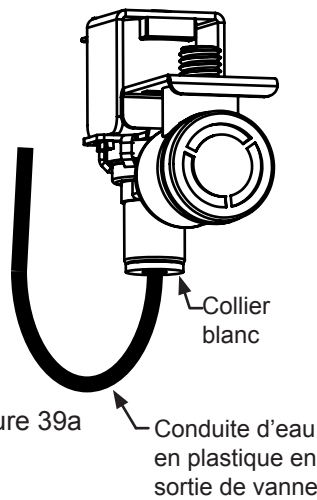


Figure 39a

Conduite d'eau en plastique en sortie de vanne

8. Reconnectez la conduite d'eau de sortie de vanne d'eau (Voyez les Figures 39 et 39a).
9. Remettez en place le couvercle d'accès de l'appareil à glaçons.
10. Nettoyez et séchez le bac de stockage de l'appareil à glaçons.
11. Laissez la porte ouverte pour la circulation de l'air afin d'empêcher les moisissures.
12. Laissez la conduite d'eau débranchée, ou rebranchez-la et laissez l'alimentation en eau coupée. Ne réalimentez PAS en eau et ne laissez pas de l'eau revenir dans la vanne d'eau.

## Applications à drainage d'eau par pompe de drainage installée en usine

Suivez les étapes de 1 à 12 comme pour le drainage par gravité, puis faites ceci :

13. Installez le bouchon d'hivernage dans le trou de drainage d'eau du bac à glaçons (Voyez la Figure 40).

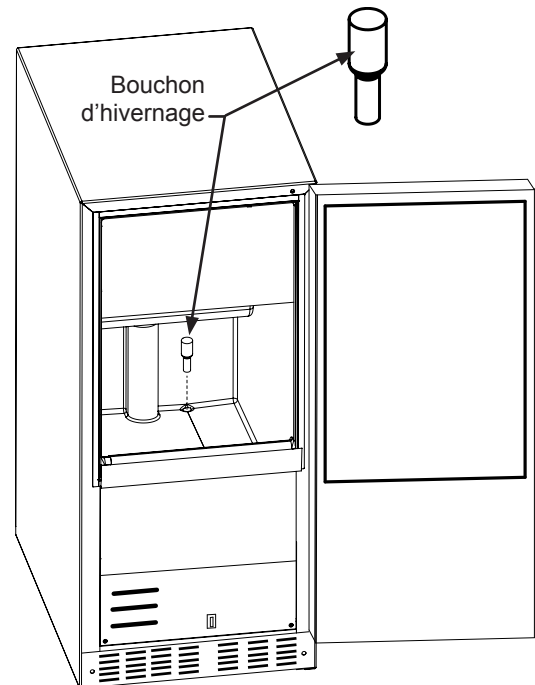
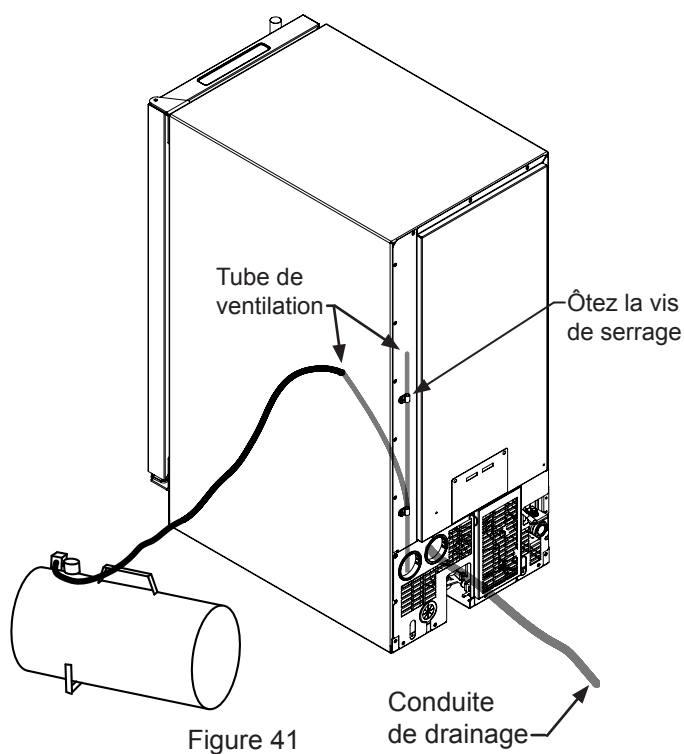


Figure 40

## PRÉPARATION DE L'APPAREIL À GLAÇONS POUR L'ENTREPOSAGE

14. Enlevez le collier du haut du tube de ventilation
15. Envoyez de l'air sous pression (environ 10 psi) à l'extrémité du tube de ventilation, ce qui va purger le reste de l'eau de la pompe et de la conduite de drainage (Voyez la Figure 41).
16. Réinstallez le tube de ventilation et fixez-le à l'arrière de l'appareil à glaçons, puis ôtez le bouchon d'hivernage du bac à glaçons, en le conservant pour une utilisation ultérieure.



### Redémarrage de l'appareil à glaçons

1. Rebranchez ou ouvrez l'alimentation de la conduite d'eau.
2. Rebranchez le tube de drainage s'il avait été ôté.
3. Branchez la fiche du cordon d'alimentation dans une prise secteur murale, et mettez en marche l'appareil à glaçons (Référez-vous à la page 14 pour l'activation/désactivation de l'appareil).
4. Vérifiez l'absence de fuites au niveau de l'entrée d'eau, des conduites de drainage et des raccords.
5. Contrôlez le fonctionnement de la pompe de drainage (s'il y a lieu) en versant environ 1,8 litres d'eau dans le bac de stockage des glaçons. la pompe de drainage doit entrer en action et évacuer cette eau (Référez-vous à la Pompe de drainage en page 7). Contrôlez l'absence de fuite de tous les raccordements d'eau.

# INSTRUCTIONS DE DÉMONTAGE DE POMPE DE DRAINAGE

## Instructions pour déposer la pompe de drainage :

1. Débranchez l'alimentation électrique de l'appareil à glaçons et ôtez son couvercle d'accès à l'arrière (Voir la page 26 pour les instructions).
2. Dévissez le pied de mise à niveau de l'angle arrière jusqu'à ce que le bout de sa portion fileté arrive au niveau de l'insert d'écrou dans la base (Voir la Figure 43) :
3. Dévissez les 3 colliers de tuyau et enlevez les 3 tuyaux de l'avant de la pompe de drainage (Voyez la Figure 43).
4. Faites pivoter la pompe de drainage et sortez-la de l'appareil à glaçons (Voir la Figure 42). Il peut être nécessaire de débrancher la liaison du fil de terre sur le rebord arrière de l'armoire (Voyez la Figure 43).
5. Débranchez le cordon d'alimentation de l'appareil à glaçons de la pompe de drainage (Voir la Figure 44).
6. Videz l'eau dans le réservoir de la pompe à drainage en renversant la pompe et en laissant l'eau couler par les raccords d'entrée de pompe et de tube de ventilation.
7. L'installation de la pompe de drainage se fait en inversant la procédure de démontage.

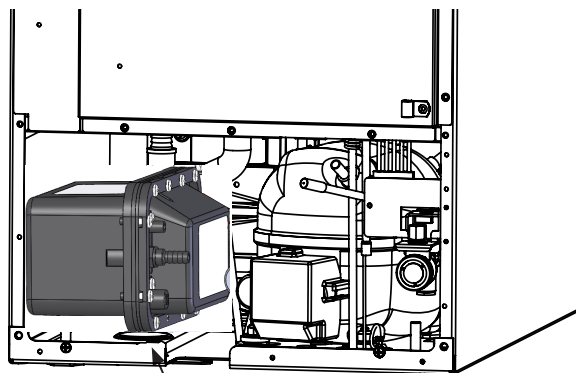
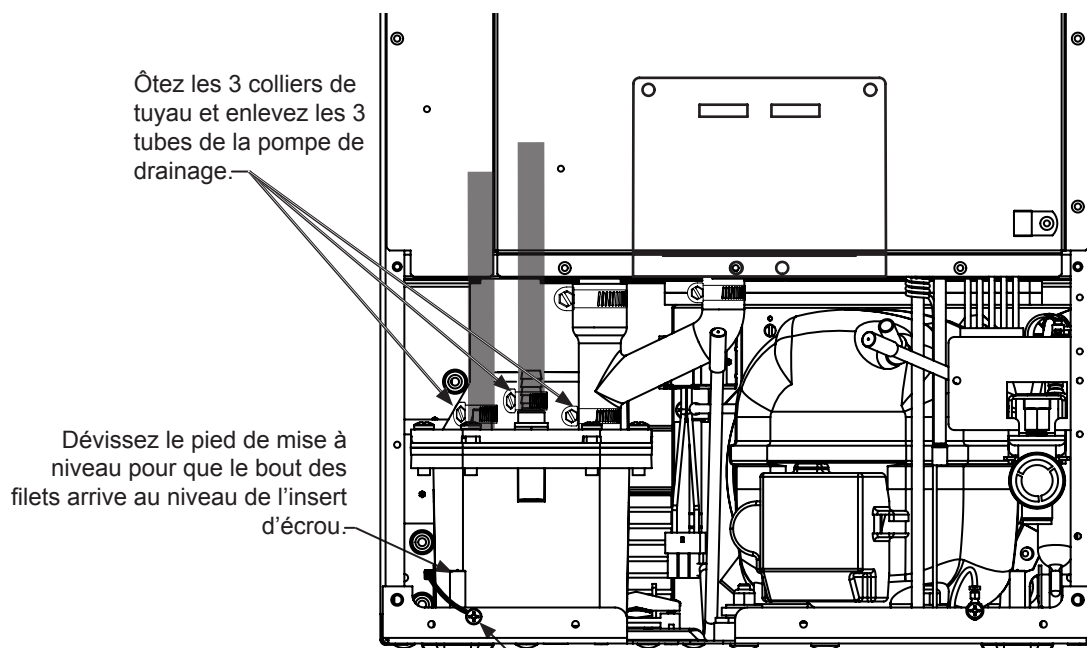


Figure 42

Faites pivoter la pompe et sortez-la de l'arrière de l'appareil à glaçons.



Ôtez les 3 colliers de tuyau et enlevez les 3 tubes de la pompe de drainage.

Dévissez le pied de mise à niveau pour que le bout des filets arrive au niveau de l'insert d'écrou.

Figure 43

Connexion du fil de terre de la pompe de drainage

# INSTRUCTIONS DE DÉMONTAGE DE POMPE DE DRAINAGE

## Points supplémentaires à inspecter par l'installateur pour un remplacement :

1. La pompe de drainage doit être de niveau.
2. Les conduites d'eau ne doivent pas être pincées.
3. Il ne doit pas y avoir d'interférence avec des cordons électriques ou le câblage.
4. La pompe de drainage ne doit pas être placée sur des obstacles quelconques, du câblage, etc.
5. Serrez toutes les attaches de tuyaux allant à la pompe de drainage ou en venant.
6. Assurez-vous que la hauteur du tube de ventilation est adéquate, soit 18 pouces (45,72 cm) au minimum.
7. Assurez-vous que la hauteur de drain est adéquate, soit 8 pouces (20,3 cm) au maximum.
8. Assurez-vous que la longueur de drainage est adéquate, soit 6 m (20 pieds) au maximum.
9. Vérifiez l'absence de fuites d'eau après l'installation de la pompe de drainage.
10. Vérifiez l'absence de vibrations qui viendraient d'une mauvaise installation.
11. Assurez-vous qu'il n'y a pas d'interférence avec le couvercle arrière d'inspection.
12. Assurez-vous que les œillets des trous sont en place à chaque emplacement, de façon à ce qu'aucun tube de drainage ou de ventilation ne frotte sur des surfaces coupantes.

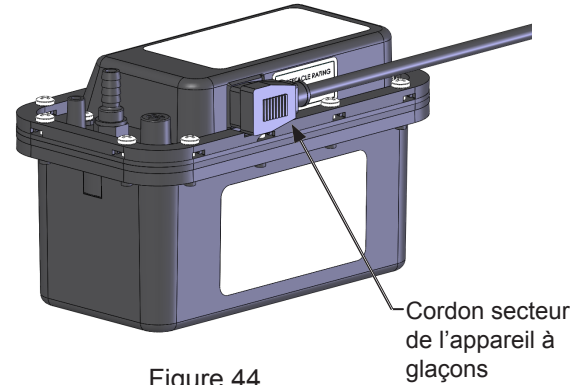


Figure 44

# GARANTIE DE PRODUIT À USAGE DOMESTIQUE

## Produit complet

### Garantie limitée d'un an sur pièces et main-d'œuvre

AGA MARVEL garantit qu'il fournira toutes les pièces et la main-d'œuvre nécessaires pour réparer ou remplacer, au domicile ou au bureau de l'utilisateur final, tout composant avéré défectueux du fait des matériaux ou de la main-d'œuvre, en tenant compte des conditions et exclusions décrites plus bas, pendant une période d'une année à compter de la date d'achat par l'utilisateur final.

### Garantie limitée supplémentaire sur les pièces uniquement de la deuxième à la cinquième année

Durant les quatre ans qui suivent l'expiration de la garantie limitée d'un an, AGA MARVEL va fournir des pièces de remplacement pour le système de refroidissement hermétiquement scellé (constitué de : compresseur, condenseur, déshydrateur, accumulateur, vanne de contournement, tube de raccordement et évaporateur), s'il s'avère défectueux du fait des matériaux ou de la main-d'œuvre, en tenant compte des conditions et exclusions qui suivent.

Les garanties précédentes ne couvrent pas :

- Les coûts d'expédition des pièces de remplacement ou des pièces défectueuses renvoyées.
- L'éducation du client ou des instructions sur la façon d'utiliser l'appareil
- Toute perte de contenu due à une panne de produit.
- Le déplacement ou l'installation du produit.

Les garanties qui précèdent ne couvrent pas non plus une panne de ce produit ou de ses composants due à :

- Transport ou dommages consécutifs au transport.
- Utilisation commerciale, ou autre qu'un usage domestique normal ou un usage dans un petit bureau.
- Une utilisation incorrecte, un mésusage, un abus, un accident ou une altération, un câblage de raccordement non conforme aux normes électriques, une tension secteur trop élevée ou trop faible, un défaut d'entretien notoire, ou toute autre utilisation non raisonnable.

## Pièces ou service

### Non fourni ou désigné par AGA MARVEL

Les garanties qui précèdent ne s'appliquent pas non plus si :

- L'acte de vente d'origine, la date de livraison, ou le numéro de série ne peuvent pas être vérifiés.
- Les pièces défectueuses ne sont pas renvoyées pour inspection si c'est demandé par AGA MARVEL.
- L'équipement de refroidissement n'est plus en la possession de l'acheteur utilisateur final d'origine.

Les garanties décrites ici sont les seules fournies par AGA MARVEL. Toutes les garanties implicites, y compris la garantie implicite de valeur marchande, sont limitées à la durée des garanties explicites. En aucun cas AGA MARVEL ne sera tenu pour responsable de tous dommages ou dépenses consécutifs ou annexes, résultant d'une inobservation de ces garanties ou d'autres garanties, qu'elles soient explicites ou implicites.

Certains États et certaines Provinces ne permettent pas l'exclusion ou la limitation des dommages consécutifs ou une limitation de la durée applicable des garanties implicites, dont la limitation ou exclusion qui précède ne peut pas être applicable à votre cas. Cette garantie vous donne des droits légaux spécifiques, et vous pouvez avoir d'autres droits qui peuvent varier d'un État à un autre.

Aucune personne, firme ou corporation, n'est autorisée à donner une garantie différente, ni à assumer une quelconque autre obligation pour AGA MARVEL. Ces garanties ne s'appliquent qu'à des produits utilisés dans un des cinquante des États-Unis d'Amérique et dans le District de Columbia.

Pour obtenir une action dans le cadre de cette garantie, signalez tous les défauts constatés à :

**AGA MARVEL**  
1260 E. VanDeinse St.  
Greenville MI 48838

Phone: 800.223.3900



[www.agamarvel.com](http://www.agamarvel.com)

**AGA MARVEL**

1260 E. VanDeinse St.  
Greenville MI 48838

800.223.3900

41013890-FR Rev A  
8/29/16

Toutes les spécifications et les conceptions des produits sont sujet à des changements sans préavis. De telles révisions ne donnent aucun droit pour l'acheteur de produits antérieurs à bénéficier de ces changements, améliorations, ajouts, remplacements, ni de recevoir une compensation.



**EN** Installation, Operation and Maintenance Instructions  
**FR** Instructions d'installation, d'utilisation et d'entretien  
**ES** Instrucciones de instalación, operación y mantenimiento

Clear Ice Machine  
Machine à glaçons transparente  
Máquina de hielo claro

**ML15CL**  
**ML15CP**



# ÍNDICE

## Índice:

¡Bienvenido!	2
Para registrar la garantía	2
Instrucciones importantes de seguridad	3
Desembalaje de su artefacto	3
Instalación de su artefacto	4
Espacios libres alrededor del gabinete	4
Patas niveladoras traseras	4
Conexión eléctrica	5
Instalación de la manguera de drenaje	6
Drenaje por gravedad	6
Bomba de drenaje instalada de fábrica	7
Instalación del suministro de agua	8
Juego de relleno para panel (opcional)	9
Operación de la máquina de hielo	10
Dimensiones del producto	12
Uso de su control electrónico	14
Puesta en marcha de su máquina de hielo	14
Encendido y apagado de su máquina de hielo	14
Bloqueo del control	15
Alarma por puerta abierta	15
Códigos de error	15
Modo Delayed Start	15
Recordatorio de limpieza	15
Menú de opciones	16
Normal y modo ECO	16
Limpieza de su máquina de hielo	16
Modo de limpieza	16
Instalación del panel de puerta decorativo	18
Cuidados y limpieza	22
Consejos para ahorrar energía	22
Solicitud de servicio técnico	23
Localización y solución en la máquina de hielo	24
Preparación de la máquina de hielo para su almacenamiento	26
Instrucciones para el desmontaje de la bomba de drenaje	29
Garantía	31

## ¡Bienvenido!

Felicitaciones por la compra de la máquina de hielo más silenciosa del mercado con el hielo de mayor transparencia y pureza. Su nueva inversión está protegida por una garantía limitada durante el primer año. Además, las piezas herméticamente selladas del sistema de refrigeración están cubiertas por un período adicional de 4 años.



Ésta guía contiene las instrucciones de uso y mantenimiento que le permitirán disfrutar de su máquina de hielo Marvel durante muchos años. Si tiene alguna pregunta, por favor, póngase en contacto con el Servicio de atención al cliente de Marvel o solicite asistencia técnica al:

Teléfono: (800) 223-3900

### Correo electrónico:

- Servicio de atención al cliente: [orderdesk@agamarvel.com](mailto:orderdesk@agamarvel.com)
- Asistencia técnica: [techsupport@agamarvel.com](mailto:techsupport@agamarvel.com)

## Registro de la garantía

Sugerimos a todos los nuevos propietarios de una máquina de hielo que se tomen un momento para registrar su producto con el

fin de ofrecerles una atención más personalizada en caso de que necesiten de nuestra asistencia en el futuro. Es recomendable que envíe de inmediato su tarjeta de registro de garantía después de haber recibido su aparato.

## Para registrar la garantía proceda como se indica a continuación:

- envíe por correo su tarjeta de registro de la garantía o regístrese en nuestro sitio web: [marvelrefrigeration.com](http://marvelrefrigeration.com)
- Se requieren los siguientes datos:
  - Número de servicio (Service No.)
  - Número de serie (Serial No.)
  - Fecha de compra
  - Nombre y dirección del distribuidor
- El número de servicio y el número de serie que se encuentran en la placa de identificación ubicada dentro del gabinete, en el lado izquierdo (vea la Figura 1).

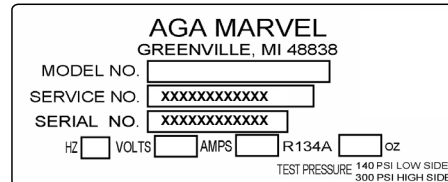


Figura 1

## Acerca de su máquina de hielo transparente

### Marvel:

#### Desempeño

- La máquina de hielo más silenciosa del mercado.
- Nuevas opciones de eficiencia energética que permiten ahorrar agua y energía.
- Diseñada para producir hielo puro, de transparencia sin igual y derretimiento más lento.
- Produce hasta 17 kg (39 libras) diarios de hielo transparente.
- Sistema de cierre de puerta Close Door Assist System™, evita la pérdida de energía cerrando suavemente la puerta, de forma automática.

#### Capacidad de almacenamiento

- Almacena 16 kg (35 libras) de hielo transparente en un depósito con aislamiento térmico.
- Cuchara de elegante diseño, posicionada para un fácil acceso.
- Superficie interior higiénica, de fácil limpieza.

#### Pantalla con controles táctiles

- Controles multifunción integrados Marvel Intuit™
- Los modos Eco Ice™ (Economía), Delayed Start (Arranque con retardo) y Vacation (Vacaciones) adaptan la producción de hielo al uso.
- Alarmas audibles y recordatorios de limpieza programados.

#### Estética

- La nueva función IllumiICE™ proyecta la luz de un LED a través del hielo transparente y produce un efecto de iluminación deslumbrante.
- Manija de gran diseño e interior blanco.
- Panel (opcional) con bisagra integrada con cierre amortiguado, fácil de instalar.
- Zócalo regulable negro de 100 mm (4 pulg.)
- Regulación de altura de hasta 25 mm (1") con patas niveladoras.

# INSTRUCCIONES IMPORTANTES DE SEGURIDAD DESEMBALAJE DE SU ARTEFACTO



**AGA MARVEL** se compromete a construir un producto de calidad en una forma compatible con el medio ambiente. Nuestros procesos se controlan de manera rigurosa y se monitorean cuidadosamente. Hemos logrado certificaciones en ISO 9001 para el aseguramiento de la calidad, ISO 14001 para la gestión ambiental y OHSAS 18001 para la seguridad y salud ocupacional de Lloyd's Register Quality Assurance.

## Instrucciones importantes de seguridad

Las advertencias e instrucciones de seguridad que aparecen en esta guía no se proponen tratar todas las condiciones y situaciones que pueden ocurrir. Deben aplicarse el sentido común, la precaución y el cuidado al instalar, mantener y operar este artefacto.

**Reconozca los símbolos,  
palabras y etiquetas de seguridad.**

### **ADVERTENCIA**

**ADVERTENCIA** - Si no sigue las instrucciones, usted puede morir o sufrir una lesión grave.

### **PRECAUCION**

**PRECAUCIÓN**-Riesgos o procedimientos inseguros que podrían provocar lesiones personales o daños materiales o al producto.

### **NOTA**

**NOTA**-Información importante que ayuda a asegurar una instalación y operación libres de problemas.

### **ADVERTENCIA**

**Advertencias de la Proposición 65 del estado de California:**  
Este producto contiene una o más sustancias químicas identificadas por el estado de California como causantes de cáncer.

### **ADVERTENCIA**

**Advertencias de la Proposición 65 del estado de California:**  
Este producto contiene una o más sustancias químicas identificadas por el estado de California como causantes de defectos congénitos o algún otro tipo de daños en la función reproductora.

### **ADVERTENCIA**

#### **RIESGO DE PESO EXCESIVO**

Se necesitan dos o más personas para mover el producto. Si no se procede así, pueden producirse lesiones personales.

## Retiro del embalaje interior

Su artefacto se ha embalado para el transporte con todas las piezas que pudieran dañarse por el movimiento sujetas firmemente. Retire los materiales de empaque internos y -si las hubiera- las cintas que sujetan los componentes. El manual del usuario se envía dentro del producto en una bolsa de plástico junto con la tarjeta de registro de garantía y otros accesorios.

## Importante

Conserve la caja y el material de embalaje hasta que su artefacto se haya inspeccionado bien a fondo y se haya comprobado que está en buenas condiciones. Si hubiera daños, se necesitará el material de embalaje como una prueba del daño en tránsito. Luego, elimine todos los elementos de manera responsable.

### **ADVERTENCIA**

**ADVERTENCIA** - Elimine las bolsas de plástico, ya que pueden presentar un riesgo de asfixia.

## Nota para el cliente

Esta mercancía se embaló en forma cuidadosa y se inspeccionó bien a fondo antes de salir de nuestra planta. La responsabilidad por su entrega segura fue asumida por el comerciante minorista al aceptar el envío. Los reclamos por pérdida o daños sufridos en el tránsito deben presentarse al comerciante minorista.

### **NOTA**

**NO REGRESE MERCANCÍA DAÑADA AL FABRICANTE; PRESENTE EL RECLAMO AL COMERCIANTE MINORISTA.**

# INSTALACIÓN DE SU ARTEFACTO

## Espacios libres alrededor del gabinete

Se necesita ventilación desde la parte delantera inferior del artefacto. Mantenga esta área abierta y libre de toda obstrucción. Pueden instalarse gabinetes adyacentes y una cubierta alrededor del artefacto, siempre que la rejilla frontal permanezca sin obstrucciones. Los modelos con puerta decorativa y bisagras articuladas están destinados únicamente a aplicaciones empotradas.

## PRECAUCION

Si el artefacto se transportó, manejó o almacenó en una posición diferente de la vertical durante cualquier intervalo de tiempo, deje que permanezca en posición vertical durante 24 horas como mínimo antes de enchufarlo.

Esto asegurará que el aceite regrese al compresor. Si se enchufa el artefacto de inmediato, pueden dañarse algunas piezas internas.

## ADVERTENCIA

**ADVERTENCIA** - El atrapamiento y la asfixia de niños no son problemas del pasado. Los refrigeradores desguazados o abandonados siguen siendo peligrosos, aun cuando se los haya dejado 'sólo por unos pocos horas'.

Si va a deshacerse de su viejo refrigerador, observe las instrucciones que siguen a fin de ayudar a prevenir accidentes.

Antes de tirar su viejo refrigerador o congelador:

- Extraiga las puertas o retire los estantes.
- Deje los estantes en su lugar, de modo que los niños no puedan trepar fácilmente al interior.

## Selección de la ubicación

Encontrar un lugar adecuado para instalar su unidad le asegurará un rendimiento máximo. Recomendamos un lugar donde la máquina de hielo no reciba luz solar directa y esté alejada de fuentes de calor. Para garantizar que su máquina de hielo cumple con las especificaciones recomendamos instalarla en un lugar con una temperatura ambiente de entre 18 y 32°C (55 a 90°F) para unidades empotrables y entre 18 y 38°C (55 a 100°F) para unidades independientes. Las máquinas de hielo no funcionan correctamente con una temperatura ambiente menor de 13°C (55°F).

## PRECAUCION

### Rejilla frontal

No obstruya la rejilla frontal. Las aberturas de la rejilla frontal permiten que el aire circule a través del intercambiador de calor del condensador. Las restricciones a esta circulación de aire darán como resultado mayor consumo de energía y pérdida de la capacidad de enfriamiento. Por esta razón es importante que esta área no esté obstruida y que las aberturas de la rejilla se mantengan limpias. AGA MARVEL no recomienda el uso de una rejilla de construcción especial, ya que la circulación de aire puede verse restringida (vea la Figura 2).

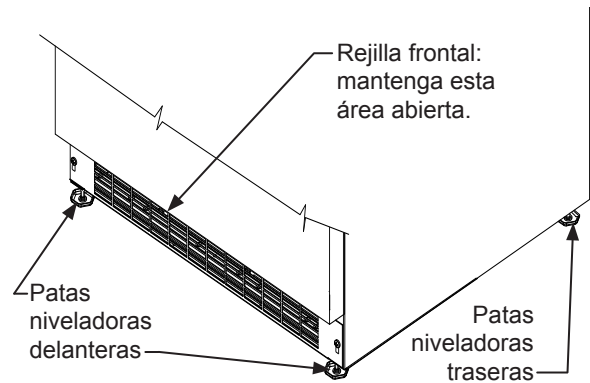


Figura 2

### Patas niveladoras traseras

Las patas ajustables que están en las esquinas delanteras y traseras del artefacto deben regularse de modo que la unidad quede posicionada firmemente sobre el piso, y nivelada de lado a lado y del frente al fondo. La altura total de su artefacto Marvel puede ajustarse entre la dimensión mínima (girando la pata niveladora hacia adentro) y la máxima (girando la pata niveladora hacia afuera), como se muestra en la Tabla 'A'.

Para ajustar las patas niveladoras, coloque el artefacto sobre una superficie sólida y proteja la zona del piso que está debajo de las patas, para evitar rayarlo. Con la ayuda de otra persona, incline el artefacto hacia atrás para tener acceso a las patas niveladoras. Haga girar las patas para subirlas o bajarlas hasta la dimensión requerida. Repita este proceso para la parte trasera inclinando con cuidado el artefacto hacia adelante. Verifique la nivelación del artefacto sobre una superficie nivelada, y ajuste según sea necesario.

Los tornillos de la rejilla frontal pueden aflojarse para ajustar la rejilla a la altura deseada. Cuando finalice el ajuste, apriete los dos tornillos de la rejilla frontal (vea la Figura 5).

# INSTALACIÓN DE SU ARTEFACTO

Modelo	Estilo de la Puerta	Altura mínima	Altura Máxima
ML15**	(S)	33 ¾" (85,7 cm)	34 ¾" (88,3 cm)
ML15**	(P)	34" (86,4 cm)	35" (88,9 cm)

Tabla A

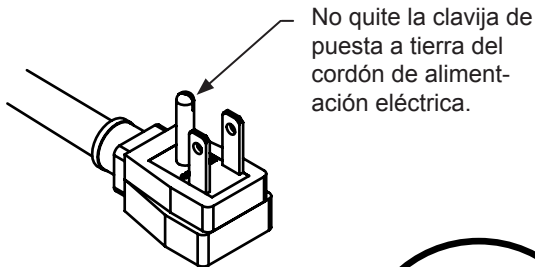


Figura 3

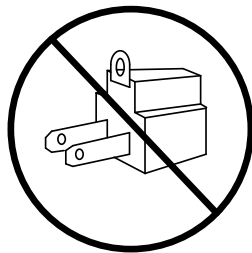


Figura 4



## ADVERTENCIA

### Peligro de choque eléctrico

- No utilice cordones de extensión con este artefacto. Pueden ser peligrosos, y pueden degradar el funcionamiento del producto.
- Este artefacto no debe conectarse en ninguna circunstancia a un suministro eléctrico sin conexión a tierra.
- No quite la clavija de puesta a tierra del cordón de alimentación eléctrica. (vea la Figura 3).
- No use un adaptador. (vea la Figura 4).
- No salpique ni rocíe agua desde una manguera sobre el artefacto. Si lo hace puede causar un choque eléctrico, que puede provocar lesiones graves o la muerte.

### Conexión eléctrica

Se necesita un circuito dedicado de 115 volts, 15 amperes.

Este producto está equipado de fábrica con un cordón de alimentación eléctrica que tiene un enchufe de tres clavijas con puesta a tierra. Debe enchufarse en un tomacorriente compatible con puesta a tierra, de acuerdo con el Código Eléctrico Nacional de los EE. UU., así como los códigos y ordenanzas locales que sean aplicables (vea la Figura 6). Si el circuito no tiene un tomacorriente con puesta a tierra, es responsabilidad y obligación del cliente proporcionar el suministro eléctrico correcto. No debe cortarse ni quitarse la tercera clavija de tierra bajo ninguna circunstancia.

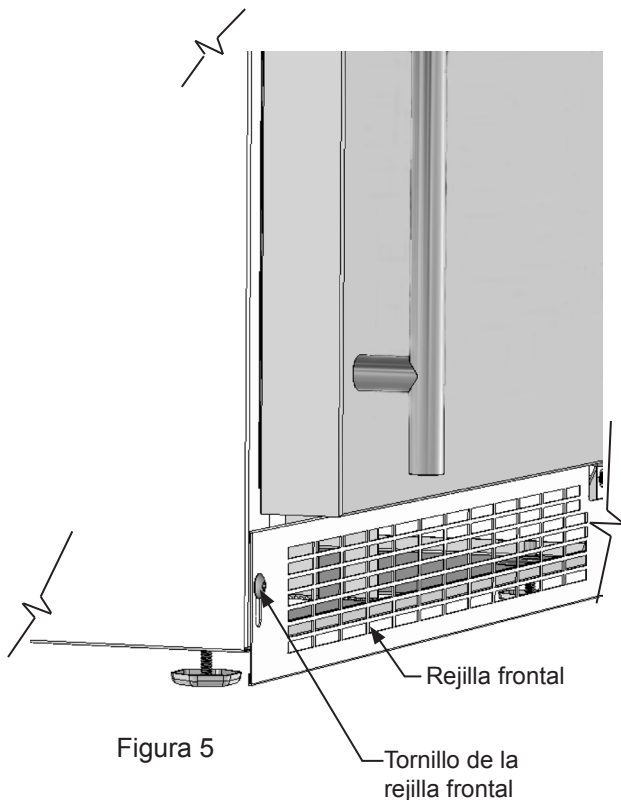


Figura 5

Rejilla frontal

Tornillo de la rejilla frontal

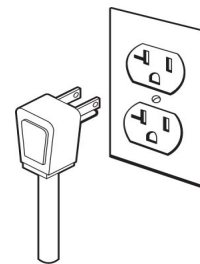


Figura 6

## NOTA

Los interruptores de falla a tierra (GFCI) son propensos a los falsos disparos, que harán que el artefacto se apague. Los GFCI no se usan por lo general en circuitos con equipos motorizados que deben funcionar desatendidos durante períodos prolongados, a menos que sea necesario para cumplir con los códigos y ordenanzas de edificación locales.

# INSTALACIÓN DE LA MANGUERA DE DRENAJE

## ! PRECAUCION

La unidad debe utilizar un sistema de drenaje adecuado, en caso contrario, resultará dañada por el agua a su alrededor y su producción de hielo será deficiente.

## ! ADVERTENCIA

### Peligro de choque eléctrico

Utilice métodos de cuidado y de seguridad razonables. NO trabaje con equipos eléctricos conectados en lugares húmedos. Lea y siga las instrucciones de instalación que figuran en este manual.

### Manguera de drenaje

Su máquina de hielo requiere la instalación de una tubería de drenaje. Hay 2 versiones de máquinas de hielo en lo que respecta a la instalación de la manguera de drenaje, sin bomba de drenaje (desagüe por gravedad) y con bomba de drenaje.

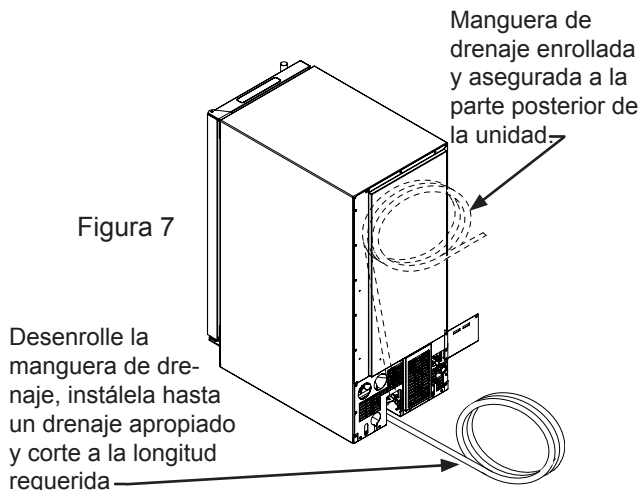
### Unidades con drenaje por gravedad (sin bomba de desagüe)

La máquina de hielo se entrega con la manguera de drenaje instalada, enrollada y asegurada en la parte posterior del gabinete como se ilustra en la Figura 7. Desenrolle la manguera y extiéndala hasta un drenaje apropiado. Córtele a la longitud necesaria. También puede instalar la manguera a través de la abertura que la unidad posee en su parte inferior (vea el área gris en la Figura 8). Si la instalación del edificio posee un drenaje cuya ubicación coincide con la de esta abertura, la manguera será de corta longitud y se instala en el drenaje como se ilustra en la Figura 9. Si la máquina de hielo es del tipo empotrable, la manguera se puede instalar a través de un agujero en el suelo, bajo esta zona gris, hasta un drenaje inferior.

## ! PRECAUCION

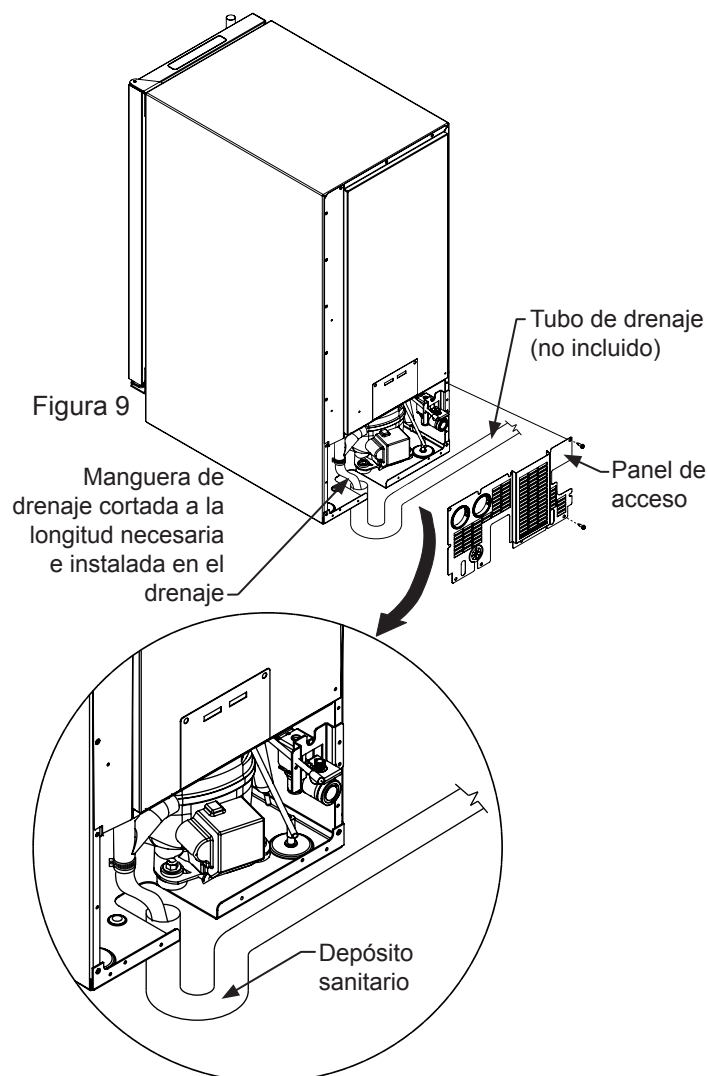
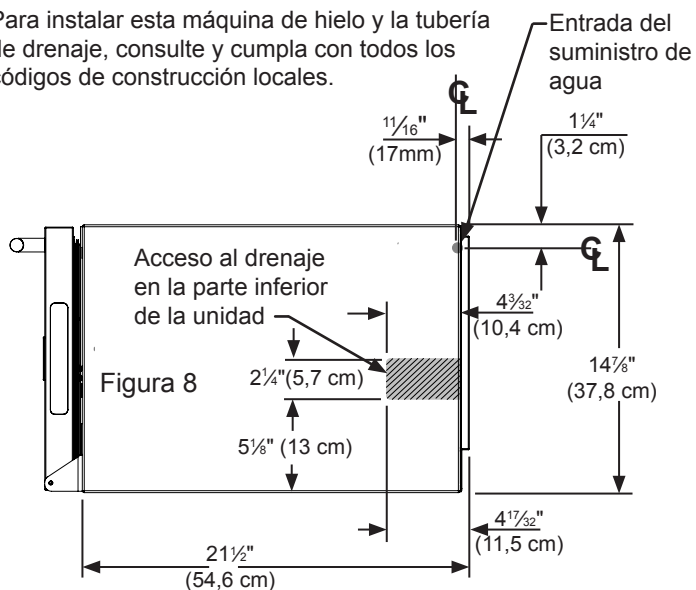
La manguera de drenaje por gravedad se debe instalar a no más de 152 mm (6") del piso para asegurar un drenaje adecuado.

Figura 7



## ! PRECAUCION

Para instalar esta máquina de hielo y la tubería de drenaje, consulte y cumpla con todos los códigos de construcción locales.



# INSTALACIÓN DE LA MANGUERA DE DRENAJE

## Unidades con bomba de drenaje instalada de fábrica

La bomba de drenaje Marvel está diseñada para eliminar el agua de drenaje en máquinas de hielo instaladas en zonas sin acceso directo a un sistema de drenaje. La bomba del depósito sellado recoge el agua del hielo derretido y la bombea hasta 2,44 metros (8 pies) de altura utilizando un tubo de PVC de  $\text{Øint } 3/8''$  y no más de 6 metros (20 pies) de longitud.

Las máquinas de hielo con bomba de drenaje instalada de fábrica se entregan con la manguera de drenaje enrollada y asegurada en la parte posterior del gabinete. El tubo de PVC de  $\text{Øint } 3/8''$  se debe instalar y conectar a un drenaje sanitario (consulte la Figura 10).

## Bomba de drenaje opcional

Si ha comprado una máquina de hielo sin bomba de drenaje y no tiene acceso a un drenaje por gravedad, puede adquirir una bomba de drenaje separada (opcional). Esta bomba de drenaje opcional se entrega con las instrucciones de instalación. Si desea pedir la bomba, comuníquese con el Servicio de atención al cliente de AGA Marvel llamando al 800-223-3900 o al distribuidor de su localidad.



## PRECAUCION

Esta bomba de drenaje está diseñada para ser instalada únicamente en máquinas de hielo Marvel y su uso está aprobado solo para agua.



## ADVERTENCIA

### Peligro de choque eléctrico

NO desmonte la tapa de acceso al compartimento de la máquina antes de desconectar el cable de alimentación de la máquina de hielo. En caso contrario podría recibir una descarga eléctrica o lesiones personales causadas por los componentes móviles.

Manguera de drenaje enrollada y asegurada a la parte posterior del gabinete. Desenrolle la manguera y extiéndala hasta un drenaje apropiado. Córtele a la longitud necesaria.

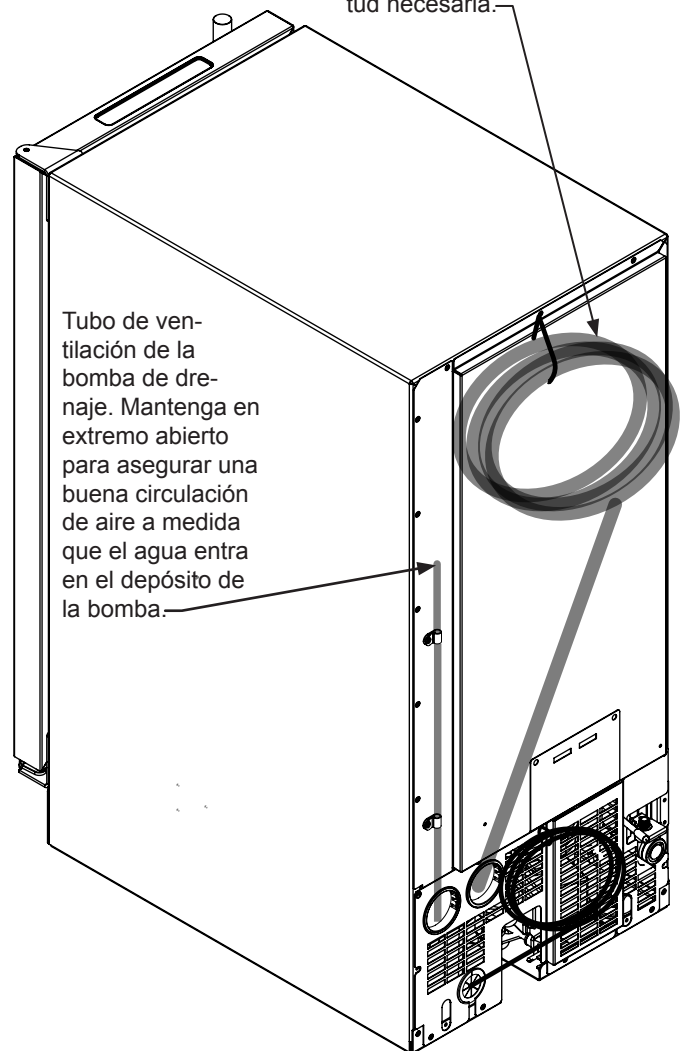


Figura 10

# INSTALACIÓN DEL SUMINISTRO DE AGUA

## SUMINISTRO DE AGUA

### ! PRECAUCION

Para instalar este aparato, consulte y cumpla con todos los códigos de construcción locales.

Esta máquina de hielo debe estar conectada a una tubería de suministro de agua potable fría con una presión mínima de 20 psi y una máxima de 120 psi.

Para el suministro de agua use una tubería de cobre de 1/4", disponible en cualquier ferretería o en un distribuidor de artículos de plomería. Asegúrese de no doblar la tubería de cobre de 1/4" durante su instalación. Cuando compre la tubería de cobre, tenga en cuenta que deberá dejar una espira detrás de la unidad a modo de "bucle de servicio"; esto permitirá retirar el aparato de la instalación para su mantenimiento o limpieza (vea la Figura 11). Conecte la tubería de cobre a un punto alto de un caño de agua fría para evitar que la máquina de hielo se obstruya con sedimentos.

Se recomienda la instalación de una válvula de cierre en la tubería de suministro de agua para facilitar el mantenimiento del aparato. **NOTA: NO ES RECOMENDABLE EL USO DE VÁLVULAS DEL TIPO AUTOPERFORANTE** pues son propensas a obstruirse con sedimentos, lo cual ocasionará una caída de presión que reducirá el suministro de agua a la unidad.

Conecte el suministro de agua a la tubería de cobre en la entrada de la válvula de agua con la tuerca de compresión suministrada. **IMPORTANTE:** Asegure la tubería de suministro de agua a la parte posterior del gabinete con el tornillo y la abrazadera de sujeción montada en la esquina del panel posterior (vea la Figura 11).

Después de la instalación, verifique que no haya fugas de agua en todas las conexiones. Conforme el tubo de manera que no vibre contra el gabinete ni se doble al mover el aparato de su posición definitiva.

Esta máquina de hielo está diseñada para fabricar diariamente hielo transparente con agua potable de la mayoría de los suministros. Si sus resultados no son satisfactorios, tal vez sea necesario filtrar o tratar el agua. En estos casos sugerimos que un especialista en agua recomiende el tratamiento de agua adecuado.

### ! PRECAUCION

Para evitar fugas de agua:

- El accesorio de conexión para la tubería de agua es solo compatible con tubería de cobre. No utilice tubos de plástico.
- No utilice ningún sellador de roscas en estos acopladores de línea de agua.

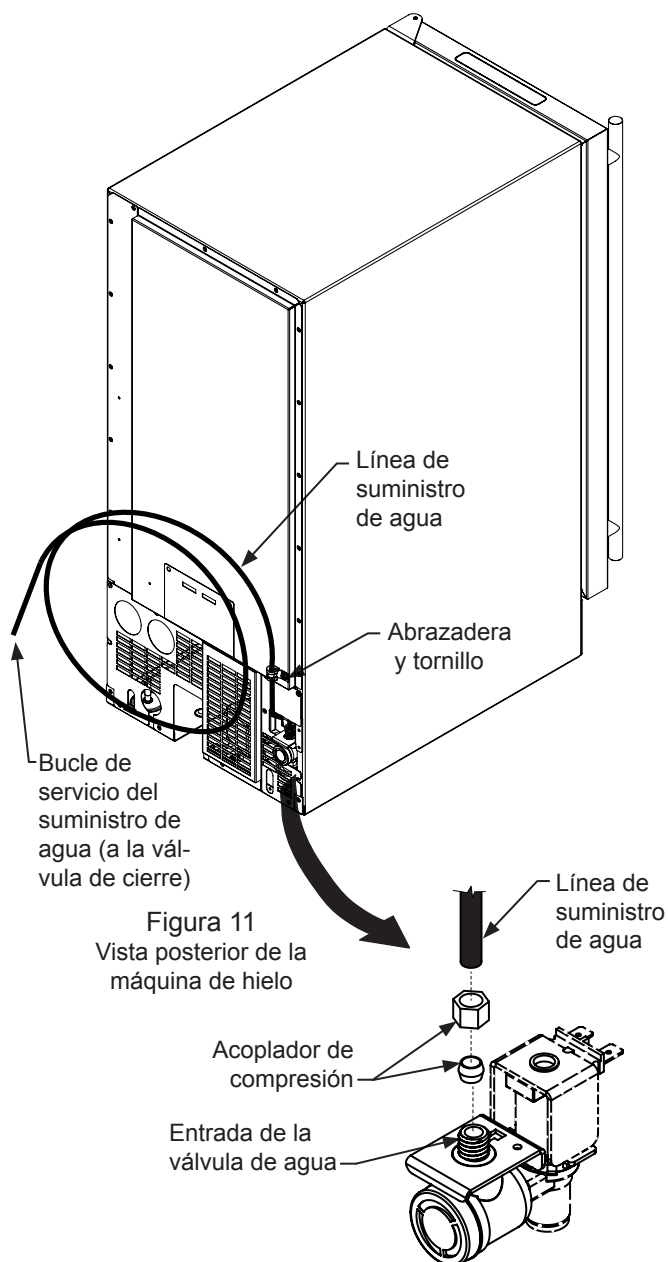


Figura 11  
Vista posterior de la máquina de hielo

### NOTA

No se recomienda el empleo de ósmosis inversa, agua ablandada ni agua desionizada, ya que afectarán desfavorablemente la calidad del hielo.



## JUEGO DE RELLENO PARA PANEL (OPCIONAL)

### Juego de accesorios de relleno para panel

Este juego de accesorios de relleno agregará 75 mm (3 pulg.) al ancho de la máquina de hielo, y se emplea cuando la unidad se debe instalar en una abertura de 457 mm (18 pulg.) Pida el juego de acuerdo con el color deseado:

Nº de pieza 42242831, juego de relleno para panel blanco

Nº de pieza 42242832, juego de relleno para panel negro

Nº de pieza 42242833, juego de relleno para panel de acero inoxidable

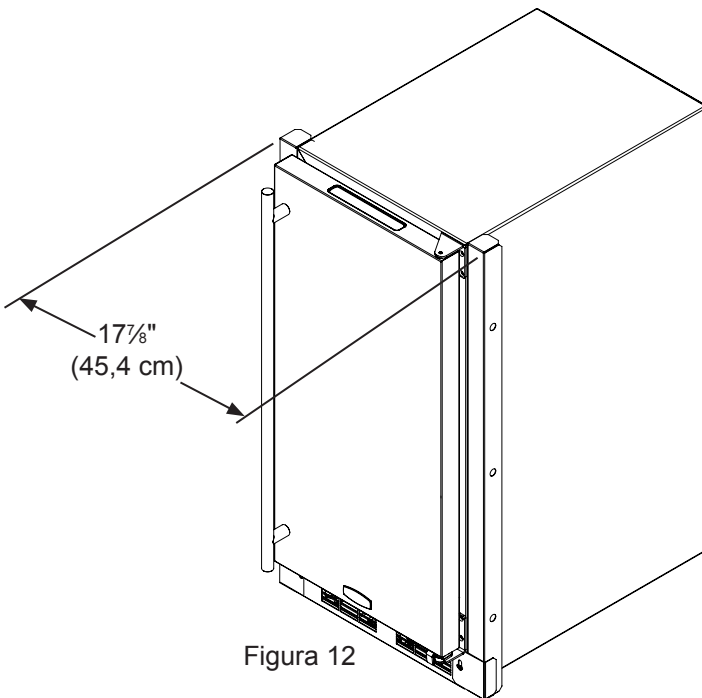
Para realizar un pedido, comuníquese con el Servicio de atención al cliente de AGA Marvel llamando al 800-223-3900.

El juego de accesorios de relleno para panel contiene lo siguiente:

2 extensiones de gabinete

2 extensiones de zócalo

6 tornillos para chapa metálica 10 x 0,5"



# OPERACIÓN DE LA MÁQUINA DE HIELO

## El proceso de fabricación de hielo

Su máquina de hielo es única por la manera en la que se forma el hielo, mediante congelación fraccionada, y producir una placa de hielo transparente y con menos sólidos disueltos que el agua a partir de la cual se produce. Esto se logra haciendo correr agua sobre la placa fría del evaporador (vea la Figura 13) que congela gradualmente el agua hasta producir la placa de hielo. El agua pura se congela primero y deja los sólidos disueltos en el agua del depósito residual para producir hielo transparente.

Cuando alcanza el espesor correcto, la placa de hielo se libera y se desliza sobre la rejilla de corte cuadriculada (vea la Figura 15). Aquí, los alambres calentados de la rejilla cortan la placa de hielo en cuadrados (ves la Figura 16). El agua que contiene los minerales disueltos se drena después de cada ciclo de congelación. A continuación entra agua dulce en la máquina y comienza un nuevo ciclo de fabricación de hielo.

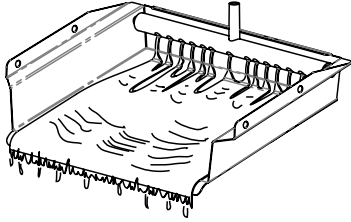


Figura 13

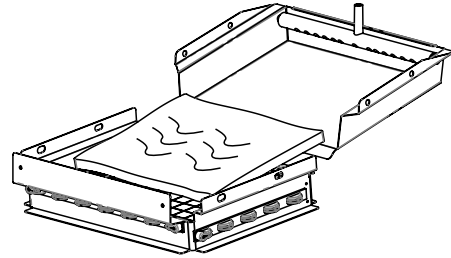


Figura 15

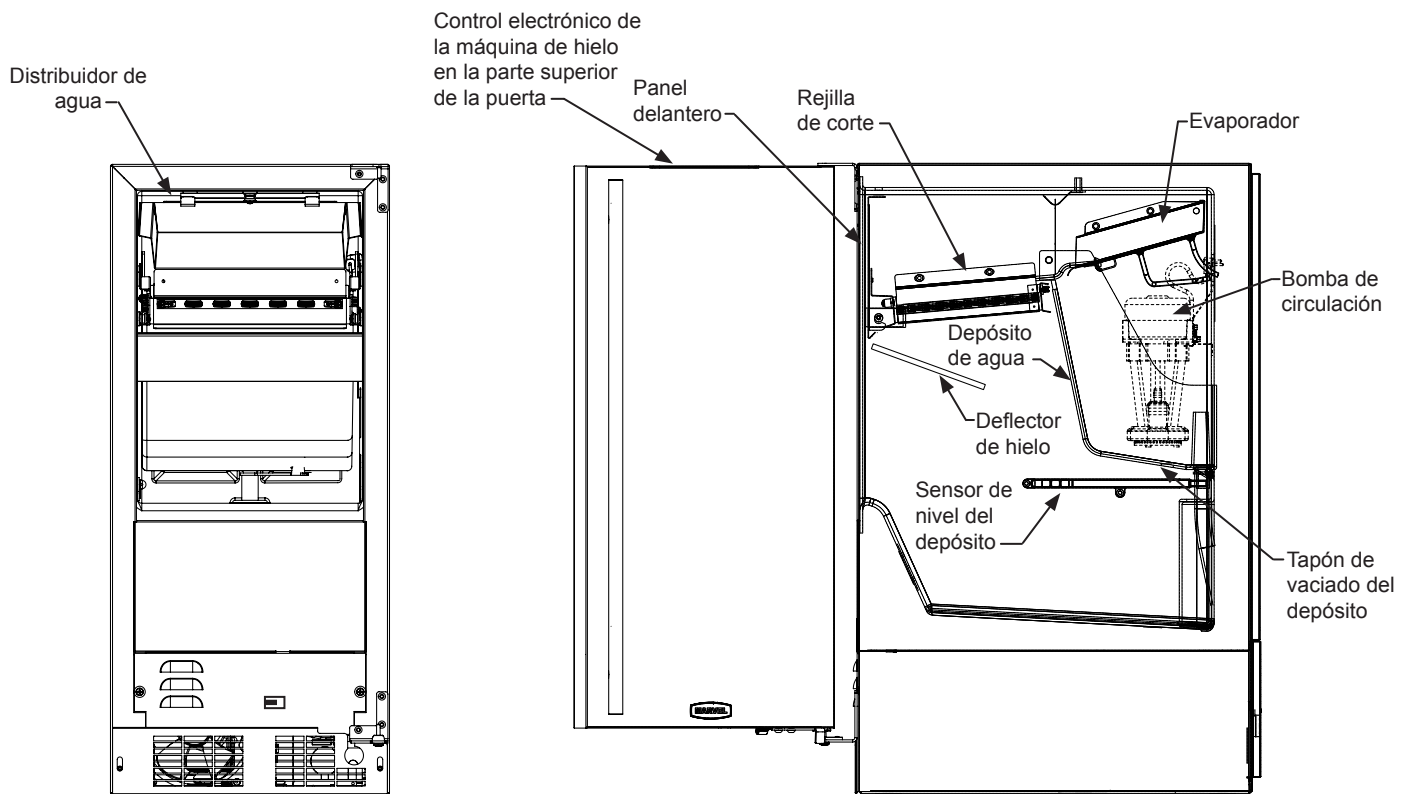


Figura 14

# OPERACIÓN DE LA MÁQUINA DE HIELO

La máquina de hielo continuará produciendo hielo hasta que el depósito de hielo esté lleno y luego se detendrá. Arrancará automáticamente cuando sea necesario reponer hielo en el depósito. El depósito de hielo no está refrigerado y parte del hielo se derretirá (por diseño, para preservar la calidad y la transparencia del hielo). Deje que su máquina de hielo funcione durante 24 a 48 horas para que acumule cubos de hielo en el depósito.

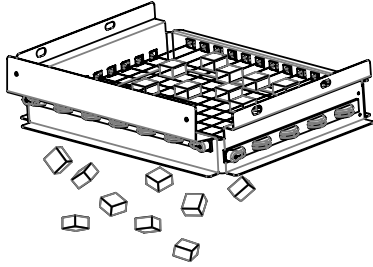


Figura 16

El depósito de hielo cuenta con un sensor de nivel que detecta si la cantidad de hielo acumulado es baja o si el depósito está lleno, y arranca o detiene el proceso de fabricación de hielo según corresponda.

## NOTA

Si el suministro de agua a la máquina se cierra, asegúrese de cambiar el control electrónico al modo "OFF" (Apagado) o desconecte la alimentación eléctrica de la unidad.

## Producción de hielo

En el modo normal la máquina de hielo producirá hasta 17,7 kg (39 libras) de hielo transparente en 24 horas a una temperatura ambiente de 22°C (72°F) con un suministro de agua a 13°C (55°F). En el modo "ECO" (vea la página 16) la máquina de hielo producirá hasta 13,2 kg (29 libras) de hielo transparente en un período de 24 horas.

## NOTA

La producción "inicial" de hielo y el hielo acumulado en el depósito variarán significativamente. Esto es normal. Durante las primeras 24 horas de funcionamiento, la unidad producirá hasta 17,7 kg de hielo con las condiciones de temperatura ya mencionadas, pero si arranca con el depósito de hielo vacío, éste solo podrá acumular hasta 8 kg de hielo. Por diseño, el depósito de hielo se mantiene a una temperatura ligeramente por encima de cero para permitir que el hielo almacenado se derrita lentamente y así preservar su calidad y transparencia, asegurando un suministro constante de hielo fresco. A medida que el hielo se acumula en el depósito, la tasa de producción de hielo supera al derretimiento del ya producido y el depósito se llena por completo.

## Sonidos nuevos

La máquina de hielo emite sonidos diferentes a los producidos por su refrigerador doméstico. Estos sonidos son nuevos para usted, pero no se preocupe, lo más probable es que sean normales. El proceso de fabricación de hielo emite ruidos que no son iguales a los que habitualmente producen los equipos de refrigeración. El hielo cae sobre superficies duras, hay una cascada de agua por sobre el evaporador, y válvulas que abren y cierran. A continuación detallamos algunos de los sonidos que puede oír:

Se escuchará un zumbido cuando la válvula de agua abre para llenar el depósito de agua.

Un traqueteo puede indicar que hay agua fluyendo a través de la tubería de agua.

El agua que fluye por sobre la placa del evaporador y cae en el depósito de agua producirá un chapoteo.

Cuando el bloque de hielo se libera de la placa del evaporador y se desliza sobre la rejilla de corte se genera un ruido sordo.

Los "clics" son producidos por los cubos que caen en el depósito de hielo.

Un gorgoteo indica que el refrigerante fluye por la máquina de hielo.

El ventilador del condensador produce un ruido de corriente de aire.

## DIMENSIONES DEL PRODUCTO

MODELO	DIMENSIONES DE LA ABERTURA DE INSTALACIÓN pulgadas (cm)			DIMENSIONES DEL GABINETE pulgadas (cm)					
	"A"	"B"	"C"	"D"	"E"	"F"	"G"	"H"	"J"
ML15C*S	15" (38,1 cm)	**34" to 35" (86,4 to 88,9 cm)	24" (61 cm)	14 <sup>7</sup> / <sub>8</sub> " (37,8 cm)	33 <sup>3</sup> / <sub>4</sub> " to 34 <sup>3</sup> / <sub>4</sub> " (85,7 to 88,3 cm)	23 <sup>5</sup> / <sub>8</sub> " (60 cm)	25 <sup>9</sup> / <sub>16</sub> " (64,9 cm)	37 <sup>13</sup> / <sub>32</sub> " (95 cm)	16 <sup>11</sup> / <sub>16</sub> " (42,4 cm)
ML15C*P	15" (38,1 cm)	**34 <sup>1</sup> / <sub>4</sub> " to 35 <sup>1</sup> / <sub>4</sub> " (87 to 89,5 cm)	*24" (61 cm)	14 <sup>7</sup> / <sub>8</sub> " (37,8 cm)	34" to 35" (86,4 to 88,9 cm)	22 <sup>15</sup> / <sub>16</sub> " (58,3 cm)	-	38 <sup>5</sup> / <sub>8</sub> " (98,1 cm)	14 <sup>1</sup> / <sub>8</sub> " (35,9 cm)

ESTILO DE LA PUERTA
(S) Puerta maciza
(P) Puerta maciza decorativa (sin manija)

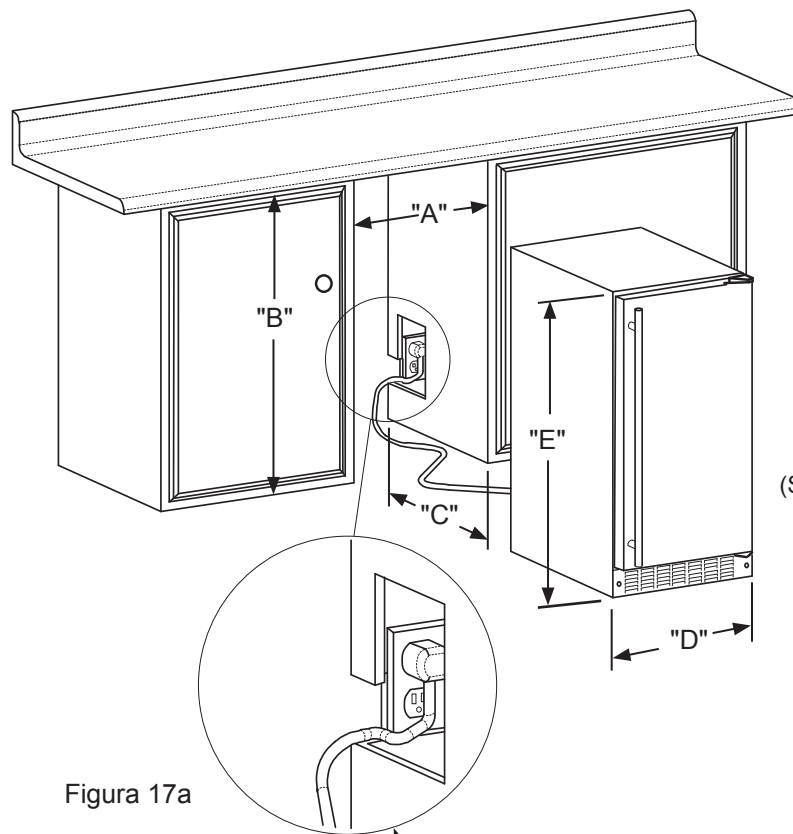


Figura 17  
(S) Puerta maciza

Figura 17a

Si fuera necesario ganar espacio libre dentro de la abertura de instalación, puede hacerse un agujero a través del gabinete adyacente y pasar el cordón de alimentación eléctrica a través de ese agujero hasta un tomacorriente. Otra manera de aumentar la profundidad disponible de la abertura es empotrar el tomacorriente eléctrico en la pared trasera para ganar el espesor del enchufe de alimentación eléctrica. No todas las cajas de tomacorriente empotradas serán apropiadas para esta aplicación por ser demasiado delgadas, por lo que se recomienda para esta aplicación una caja de tomacorriente empotrada equivalente a la Arlington #DVFR1W (vea la Figura 18).



Figura 18

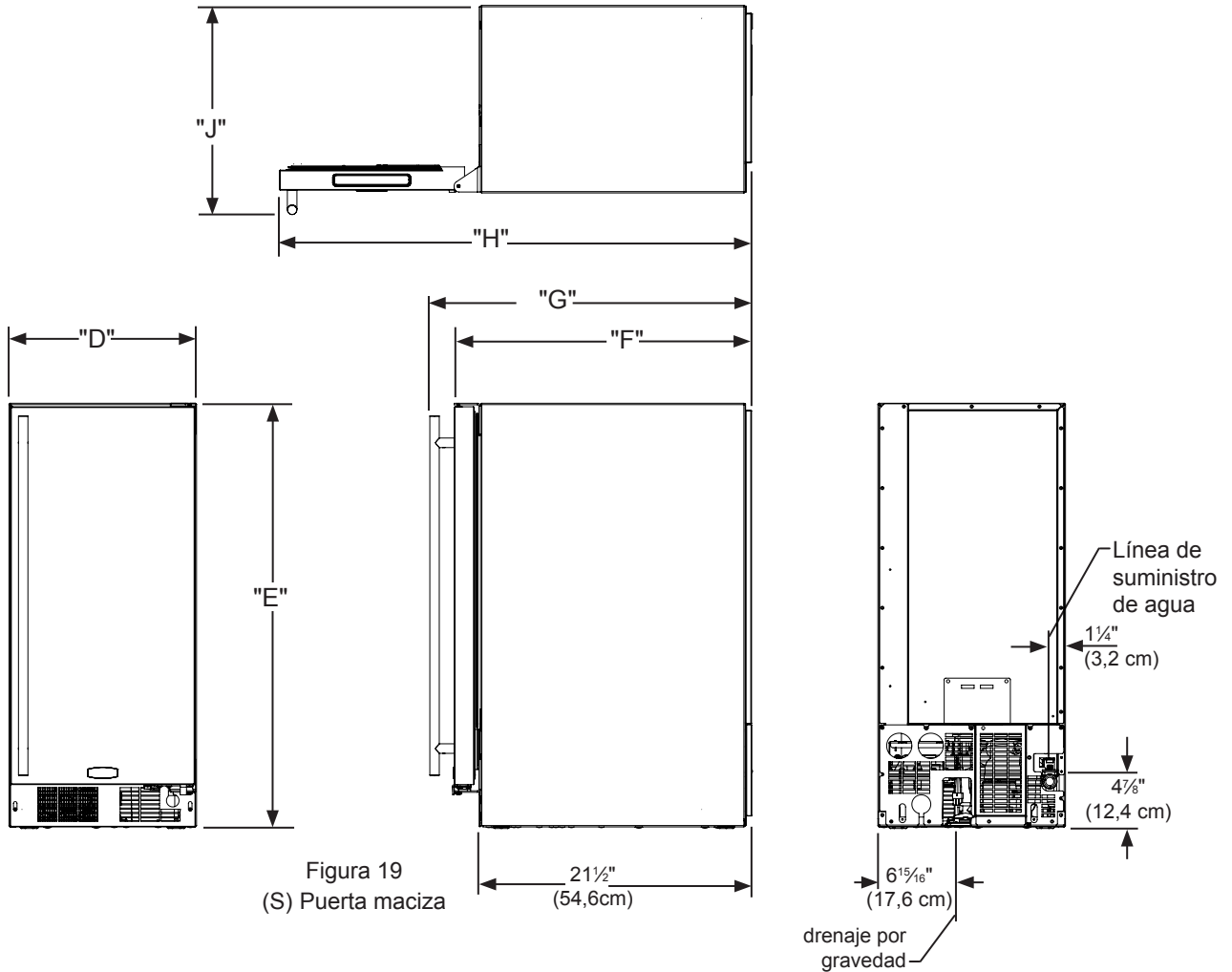
## DIMENSIONES DEL PRODUCTO

DATOS DEL PRODUCTO		
MODELO	REQUISITOS ELÉCTRICOS #	PESO DEL PRODUCTO
ML15C*S	115V/60Hz/15A	105 lbs (47,7 kg)
ML15C*P	115V/60Hz/15A	105 lbs (47,7 kg)

\* Para instalar modelo (P) con la cara de la puerta alineada con las puertas de los armarios adyacentes, el espesor del panel decorativo del cliente no puede exceder de ¾ de pulgada (19mm).

\*\* La abertura de instalación mínima requerida debe ser mayor que la altura ajustada del gabinete.

# Se necesita un circuito dedicado de 15 amperes con conexión a tierra. Cumpla con todos los códigos de edificación locales cuando instale el circuito eléctrico y el artefacto.



# USO DE SU CONTROL ELECTRÓNICO



Figura 20  
Interfaz de usuario

## Iconos de la pantalla:



Icono Encendido/ Apagado: se utiliza para encender y apagar el aparato.



Icono Menú: se utiliza para acceder a las funciones opcionales de la interfaz de usuario.



Icono Reloj: se utiliza para introducir el modo Delayed Start (Arranque con retardo) o Vacation (Vacaciones).



Icono Bloqueo: se utiliza para bloquear las funciones de la interfaz de usuario.

## Área de visualización de texto:

**ICE**

Significa que el aparato está encendido y produce hielo.

**ECO**

Significa que el aparato está en el modo de producción de hielo económica.

**OFF**

Significa que el aparato está apagado.

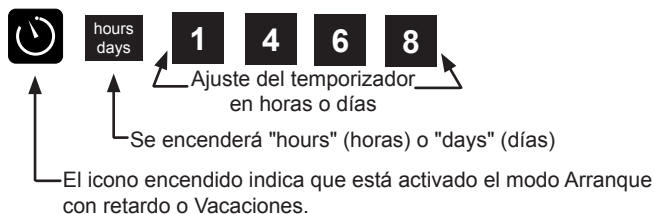
**DOOR**

Significa que hay una condición de alarma por puerta abierta.

**CLEAN**

Recomienda limpiar el aparato o que está en el modo de limpieza.

## Modo Delayed Start (Arranque con retardo) o Vacation (Vacaciones):



## NOTA

La pantalla de control está cubierta con una película de plástico transparente. Esta película se puede retirar levantándola con cuidado en una esquina.

## Puesta en marcha de su máquina de hielo transparente:

**ICE**

Enchufe la máquina de hielo en una toma de corriente de 115V (vea más información sobre la parte eléctrica en la página 5). Su aparato se entrega de la fábrica en el modo "ICE" (Hielo) y comenzará con la producción de hielo después de la rutina de puesta en marcha.

En aplicando la alimentación a la unidad, o después de una interrupción de energía, la máquina de hielo llevará a cabo un auto-test, seguido de un ciclo de cosecha para despejar cualquier producción de hielo en proceso. Esta rutina de puesta en marcha ("después de aplicar energía a la unidad") toma aproximadamente 13 minutos para completar antes de que comience un ciclo de producción de hielo.

Si el aparato no arranca, verifique si la toma de corriente está alimentada y que el control este en el modo "ICE" (consulte las opciones más adelante). No haga arrancar la máquina de hielo en el modo "ECO" (Economía). El modo "ECO" solo debe utilizarse después de que el depósito se haya llenado de hielo.

## Encendido y apagado de su máquina de hielo:

**ICE**

Si su aparato está encendido, la pantalla mostrará "ICE". Para apagar el aparato presione el icono "Encendido/ Apagado" durante 3 segundos. La pantalla mostrará "OFF" (Apagado).



**OFF**

## NOTA

Después de apagar la máquina, ésta completará el ciclo de producción de hielo en curso y luego se apagará definitivamente.



**ICE**

En el modo OFF, la bomba de drenaje (si posee) y la luz interior seguirán encendidas. Para encender el aparato presione el icono "Encendido/ Apagado" durante 3 segundos, hasta que aparezca "ICE" en la pantalla.

## USO DE SU CONTROL ELECTRÓNICO



### ADVERTENCIA

El apagado de la máquina de hielo solo detendrá la producción de hielo, no desconecta la energía eléctrica del aparato. Antes de realizar tareas de mantenimiento en la unidad, desconecte siempre el cable de alimentación de la toma de corriente.

### Bloqueo del control:

La interfaz de usuario se puede bloquear para evitar cambios involuntarios en las funciones, como la de limpieza. Para bloquear el aparato presione el icono "Bloqueo" durante 5 segundos. El icono "Bloqueo" parpadeará 3 veces y luego cambiará a iluminación de fondo fija. Para eliminar el bloqueo de la interfaz de usuario, presione el icono "Bloqueo" durante 5 segundos y la luz de fondo se apagará.



### NOTA

El icono "Bloqueo" es la única tecla activa en este modo. Si se pulsaran otros iconos con la unidad bloqueada, el icono "Bloqueo" parpadeará 3 veces y la unidad emitirá un tono audible que le recordará al usuario que el aparato está en el modo de bloqueo.

### Alarma por puerta abierta:

Si la puerta permanece abierta o mal cerrada durante 5 minutos, el indicador "DOOR" (Puerta) parpadeará y la unidad emitirá un tono audible. La alarma audible se puede apagar pulsando la tecla "Bloqueo". Esta condición de alarma se puede apagar mediante el cierre de la puerta o pulsando el icono "Encendido / Apagado" (por ejemplo, cuando está limpiando el compartimiento de almacenamiento). La alarma se repetirá en 5 minutos si la condición de alarma persiste.



### Códigos de error:

La máquina de hielo está continuamente supervisada. Un cable cortado o un cortocircuito en el circuito de un sensor de temperatura, o la falta de comunicación entre el control y la interfaz de usuario generará un código de error. La tabla siguiente muestra los códigos de error:

Códigos de error			
Error	Código en pantalla	Descripción del error	Acciones a adoptar
Error del sensor del depósito	"OFF" parpadeará de forma continua en intervalos de 1 segundo. La unidad no emitirá ninguna alarma audible.	Falla del sensor de temperatura. La máquina se apagará (OFF) inmediatamente.	Llame al servicio técnico para que reemplace el sensor de temperatura.
Error del sensor de sistema	"ICE" parpadeará de forma continua. La unidad no emitirá ninguna alarma audible.	Falla del sensor de temperatura del condensador. La máquina continuará en funcionamiento, pero el ciclo de producción de hielo no se adaptará a las diferentes condiciones ambientales, por lo que la calidad del hielo puede variar.	Llame al servicio técnico para que reemplace el sensor de temperatura.
Error de comunicación	Parpadeo continuo de todos los indicadores de la pantalla.	Pérdida de comunicación entre la placa principal y la interfaz de usuario.	Llame al servicio técnico para que realice una verificación de diagnóstico.

### Modo Delayed Start (Arranque con retardo) o Vacation (Vacaciones):

Su máquina de hielo está equipada con una función de arranque con retardo. Esta función se puede utilizar para apagar de manera temporal el aparato durante 1, 4, 6 u 8 horas o días. Al finalizar el tiempo de retardo seleccionado, el aparato reanudará el funcionamiento. Esta función es útil para interrumpir por un tiempo los ruidos producidos por la máquina de hielo o para ahorrar agua y electricidad si no está en casa pero desea hielo fresco a su regreso.

Para entrar en el modo de arranque con retardo pulse el icono "Reloj", mientras la unidad está en el modo "ICE" (Hielo). Esto retrasará el próximo lote de hielo hasta el momento que muestra la pantalla. Cada vez que pulse el icono "Reloj" el tiempo aumentará desde 1, 4, 6 u 8 horas a 1, 4, 6 u 8 días. El siguiente pulso después de "8 días" hará que la unidad abandone el modo de retardo. Después de haber seleccionado el tiempo deseado, presione el icono "Encendido/ Apagado" durante 2 segundos para confirmar el ajuste. La unidad se apagará y la pantalla mostrará un reloj y el tiempo de retardo escogido. Una vez transcurrido el tiempo seleccionado, se reanudará la producción normal de hielo.



hours  
days



Para cancelar el arranque con retardo, presione el icono "Encendido/ Apagado" hasta que el aparato cambie a Apagado. continuación, presione nuevamente el icono "Encendido/ Apagado" hasta que el aparato cambie al modo "ICE".



A



### Recordatorio de limpieza (CLEAN):

El recordatorio de limpieza (CLEAN), se produce cada 6 meses para recordarle que puede ser el momento para limpiar su aparato. Con el paso del tiempo se pueden formar depósitos minerales en la placa fría del evaporador, que afectan negativamente la calidad del hielo. Estos depósitos dependen del origen y el uso del agua. La producción normal de hielo continúa aunque la pantalla muestre el recordatorio de limpieza. El recordatorio de limpieza se puede borrar en cualquier momento pulsando el icono "Encendido/ Apagado". Una vez reiniciada la unidad, el recordatorio de limpieza se restablecerá y no volverá a activarse durante los próximos 6 meses. Si decide limpiar el aparato en este momento, consulte el menú de opciones a continuación.



# LIMPIEZA DE SU MÁQUINA DE HIELO

## Menú de opciones

### Normal y modo ECO (Economía):

Su máquina de hielo viene con un modo opcional "ECO". En este modo la producción de hielo se ralentizará y el aparato utilizará menos agua y electricidad. El modo "ECO" solo debe utilizarse después de que el depósito se haya llenado de hielo.

Para entrar en el modo "ECO" haga lo siguiente:

- Pulse el icono "Menú" dos veces y el indicador verde "ECO" parpadeará.
- Presione el icono "Encendido/ Apagado" hasta que el indicador verde "ECO" deje de parpadear y continúe encendido fijo.
- Para volver a la tasa de producción estándar, pulse el icono "Menú" dos veces, el indicador ECO se apagará y el "ICE" parpadeará. Presione el icono "Encendido/ Apagado" hasta que el indicador "ICE" deje de parpadear y continúe encendido fijo.



ECO



ICE

Para aplicar el limpiador proceda como se indica a continuación

Apague la máquina de hielo presionando el icono Encendido/ Apagado durante 3 segundos. El control mostrará "OFF".



OFF

Para desmontar la tapa de la rejilla de corte de la máquina de hielo siga el procedimiento de tres pasos indicado a continuación, consulte las Figuras 23 y 24:

- 1-Tire primero de esta esquina para retirar la esquina de la tapa del broche de sujeción.
- 2-A continuación, tire de esta esquina para retirarla del broche de sujeción.
- 3- Empuje por detrás la tapa hacia usted para desmontarla del broche de sujeción central.

Retire todo el hielo del depósito de hielo (vea la Figura 24). Retire el tapón negro de vaciado que se encuentra en el fondo del depósito de agua fresca (vea la Figura 25). Después de vaciar el depósito, vuelva a colocar el tapón en el fondo.

Deje que todo el hielo caiga de la placa del evaporador y elimine el hielo de la rejilla de corte. Si hay hielo incrustado entre los alambres de la rejilla de corte, espere a que se derrita y caiga. No trate de quitar el hielo incrustado entre los alambres de la rejilla de corte pues podría romper los alambres (vea las Figuras 21 y 22).

### Modo de limpieza:

Para garantizar el máximo rendimiento y hielo de la mejor calidad se recomienda limpiar su máquina de hielo cada seis meses.



**PRECAUCION**

Utilice únicamente productos de limpieza aprobados para máquinas de hielo y asegúrese de seguir todas las advertencias e instrucciones de la etiqueta. Cualquier daño o lesión que pudiera derivarse del uso de químicos inadecuados, no está cubierto por la garantía.

**NOTA**

Si necesita más información, vea nuestro vídeo "Care and Cleaning" (Cuidado y limpieza) en la página web: [www.marvelrefrigeration.com](http://www.marvelrefrigeration.com).

Para limpiar su unidad necesitará comprar un limpiador para máquinas de hielo, apto para superficies niqueladas. Para comprar el limpiador comuníquese con el Servicio de atención al cliente de AGA Marvel llamando al 800-223-3900. Este producto también está disponible en la mayoría de las tiendas de electrodomésticos o de productos de limpieza a través de Internet. Los productos de limpieza recomendados son los siguientes:

- Limpiador para máquinas de hielo certificado por Kirby, 100% seguro para superficies niqueladas.
- Limpiador para máquinas de hielo Nu-Calgon, seguro para superficies niqueladas.
- Limpiador para máquinas de hielo Franklin Machine Products, seguro para superficies niqueladas.



**PRECAUCION**

No fuerce el hielo a través de la rejilla de corte pues romperá los alambres.

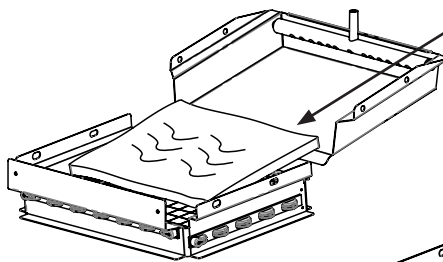


Figura 21

Elimine todo el hielo del evaporador y de la rejilla de corte que no esté incrustado en los alambres

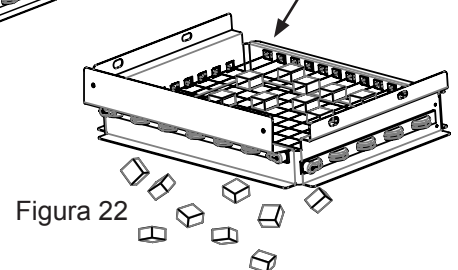


Figura 22



# LIMPIEZA DE SU MÁQUINA DE HIELO

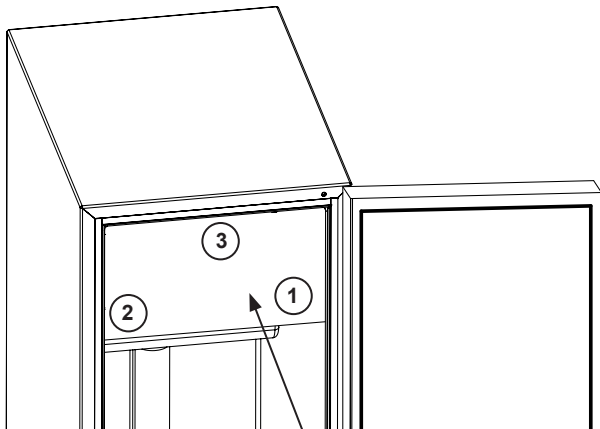


Figura 23 Desmonte la tapa de la rejilla de corte

Retire todo el hielo del depósito de hielo

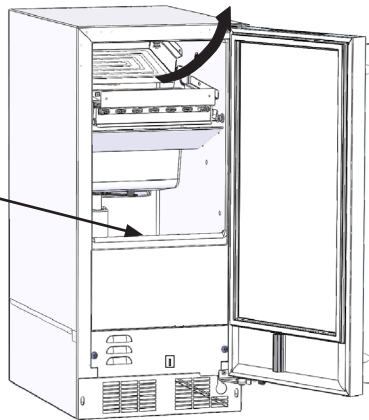
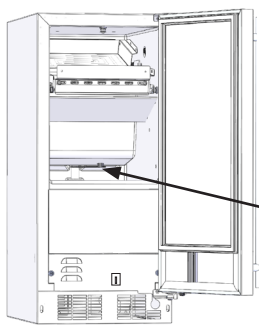


Figura 24



Retire el tapón negro del fondo del depósito de agua.

Figura 25

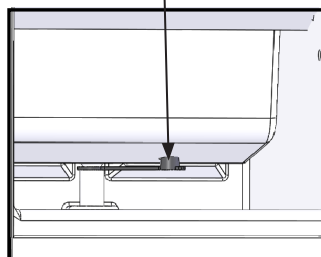


Figura 25b

Consulte las instrucciones de la solución de limpieza para determinar la cantidad adecuada de solución que se debe agregar en 1,9 litros (2 cuartos de galón) de agua. Desmonte el protector contra salpicaduras plástico para facilitar el acceso (vea la Figura 26). Vierta lentamente la solución de limpieza sobre la placa del evaporador para que fluya hacia abajo, al depósito de agua dulce (vea la Figura 27).

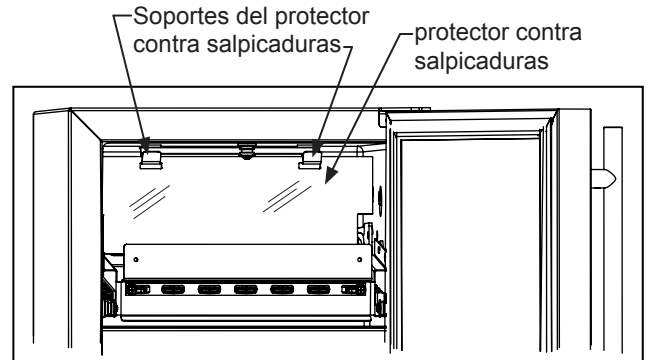


Figura 26

Vuelva a instalar el protector contra salpicaduras (si fue desmontado).

Vuelva a encender la máquina de hielo presionando el icono "Encendido/ Apagado" durante 3 segundos. La pantalla indicará el modo "ICE". Presione el icono "Menú" hasta que aparezca "CLEAN" parpadeando. Presione el icono "Encendido/ Apagado" hasta que "CLEAN" deje de parpadear. Ahora su máquina de hielo comenzará el ciclo de limpieza.



ICE



CLEAN

OFF

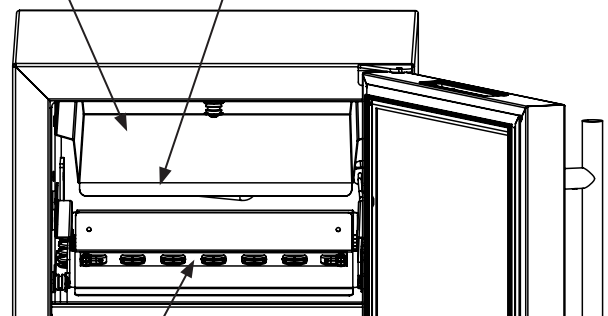
El ciclo de limpieza y enjuague tomará unos 49 minutos.

Una vez finalizado el ciclo de limpieza la máquina de hielo vuelve al estado "OFF" (Apagado).

Verifique que los depósitos de minerales hayan sido eliminados. Si encuentra residuos lleve a cabo un nuevo ciclo de limpieza.

Placa del evaporador

Vierta lentamente la solución de limpieza por sobre el borde delantero de la placa del evaporador, detrás de la rejilla de corte.



Rejilla de corte

Figura 27

# INSTALACIÓN DEL PANEL DE PUERTA DECORATIVO

## NOTA

### Cancelación del modo de limpieza

Para salir del modo de limpieza presione el icono "Encendido/ Apagado" hasta que aparezca "OFF" en la pantalla. Espere 3 minutos para que el modo de limpieza complete su rutina de cancelación antes de encender nuevamente la unidad presionando el icono "Encendido/ Apagado". Si enciende de nuevo la unidad antes de que hayan transcurrido los 3 minutos, la pantalla mostrará "CLEAN" y la unidad se apagará automáticamente una vez transcurridos los 3 minutos de la cancelación de la rutina de limpieza.



## ADVERTENCIA

Si cancela el modo de limpieza después de agregar más limpiador, deberá reiniciar la limpieza y dejar que el ciclo finalice para eliminar la solución de limpieza antes de reanudar la producción de hielo.

**Opción:** una vez finalizado el ciclo de limpieza, puede lavar el interior con un detergente suave, o con un jabón para vajilla, o con una solución de dos cucharadas de bicarbonato de sodio en un litro de agua. Enjuague con agua limpia.

Vuelva a instalar la tapa de la rejilla de corte.



## PRECAUCION

No utilice limpiadores a base de lejía ni productos de limpieza abrasivos. Los limpiadores a base de cloro atacan el acero inoxidable y lo dejan expuesto a la corrosión.

Su máquina de hielo está ahora lista para volver a arrancar. Presione el icono "Encendido/ Apagado" durante 3 segundos hasta que la pantalla muestre "ICE".



ICE

## NOTA

Después de la limpieza se recomienda desechar el hielo producido después de 3 horas de producción de hielo.

Si ha comprado un modelo con panel decorativo, su unidad estará equipada con bisagras articuladas que permiten una instalación totalmente empotrada. La unidad admite paneles de  $\frac{5}{8}$ " (15 mm) y  $\frac{3}{4}$ " (18 mm) de espesor.



## PRECAUCION

Es importante usar la rejilla provista de fábrica que viene con el producto para asegurar que se mantenga el flujo de aire a través del condensador. No se recomienda el uso de una rejilla personalizada pues anulará la garantía.



## ADVERTENCIA

Los modelos con paneles decorativos están diseñados para usar **únicamente en instalaciones empotradas**. El uso en instalaciones autosostenidas podría ocasionar lesiones personales.

### Paso 1: desmonte la puerta.

Con un destornillador Phillips retire el tornillo y la abrazadera "P" de la parte inferior de la puerta cerca de la bisagra (vea la Figura 28b).

Apriete la lengüeta de sujeción del conector del cable y tire del conector para desconectar el cable de la puerta (vea la Figura 29).

Abra la puerta y afloje los tornillos que sujetan las bisagras al gabinete (2 en la parte superior y 2 en la bisagra inferior). No quite los tornillos pero aflójelos lo suficiente como para que las bisagras se liberen al deslizar la puerta hacia un costado para su desmontaje.



## ADVERTENCIA

Las bisagras articuladas tienen muchos puntos que podrían pellizcar sus manos y dedos; por consiguiente, lo más seguro es cerrar la bisagras articuladas cuando está desmontar.

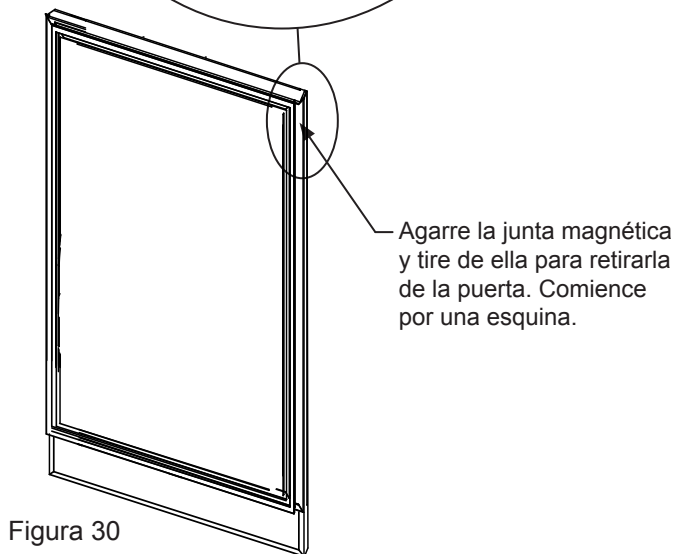
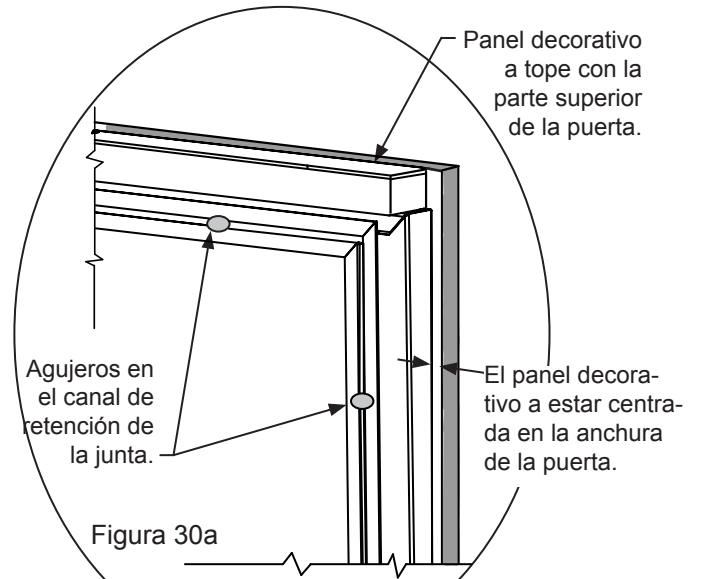
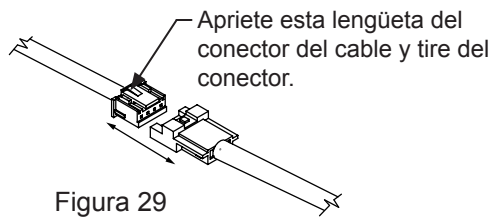
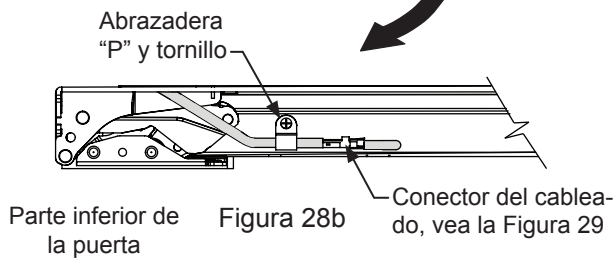
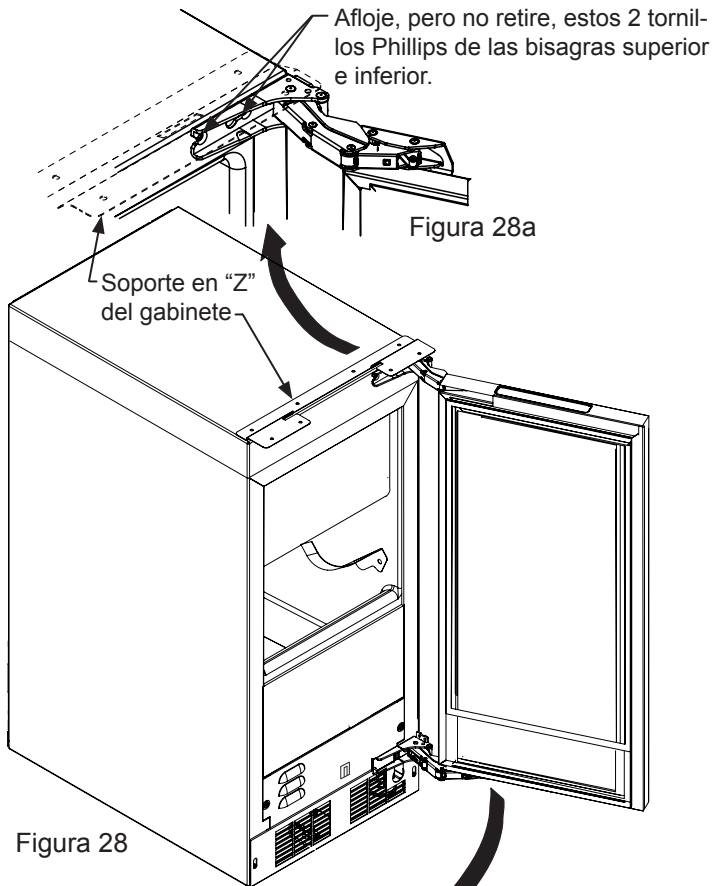
Con un ayudante, y teniendo cuidado de no rayar el gabinete ni la puerta, deslice la puerta hacia el costado aproximadamente  $\frac{1}{2}$  pulgada (13 mm) y retire la puerta con las bisagras de la unidad.



## ADVERTENCIA

Tenga mucho cuidado con las bisagras articuladas. La bisagra es de cierre automático y existen muchos puntos que podrían pellizcar sus manos antes de la instalación empotrada. **No desmonte el soporte en "Z" de la parte superior del gabinete.**

# INSTALACIÓN DEL PANEL DE PUERTA DECORATIVO



## PRECAUCION

El peso del panel decorativo de la puerta no debe exceder de 15 libras (6,8 kg) para un modelo con puerta maciza.

### Paso 2: desmonte la junta de la puerta.

Coloque la puerta sobre una superficie plana y, comenzando desde una esquina de la puerta, retire la junta magnética del lado interior de la puerta (vea la Figura 30). Deje la junta a un lado sobre una superficie plana.

Los canales que retienen la junta tienen 10 agujeros (3 en cada lado, 2 arriba y 2 abajo) que serán utilizados para sujetar el panel decorativo a la parte delantera de la puerta. Los tornillos se suministran con los manuales del artefacto, junto con la cerradura de la puerta (en ciertos modelos).

### Paso 3: corte y perfore el panel decorativo.

Corte el panel decorativo de acuerdo con el modelo de artefacto y las dimensiones indicadas en las figuras 31 a 34.

# INSTALACIÓN DEL PANEL DE PUERTA DECORATIVO

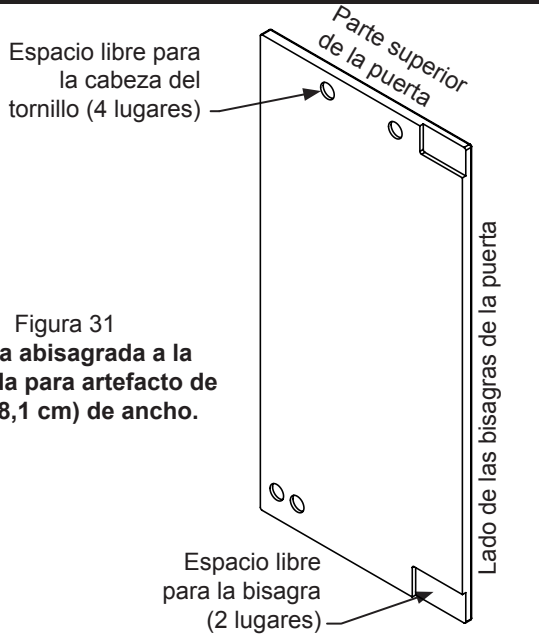


Figura 31  
Puerta abisagrada a la izquierda para artefacto de 15" (38,1 cm) de ancho.

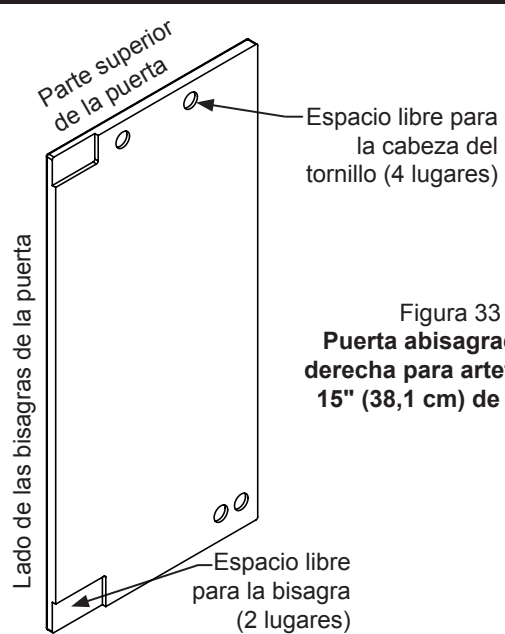


Figura 33  
Puerta abisagrada a la derecha para artefacto de 15" (38,1 cm) de ancho.

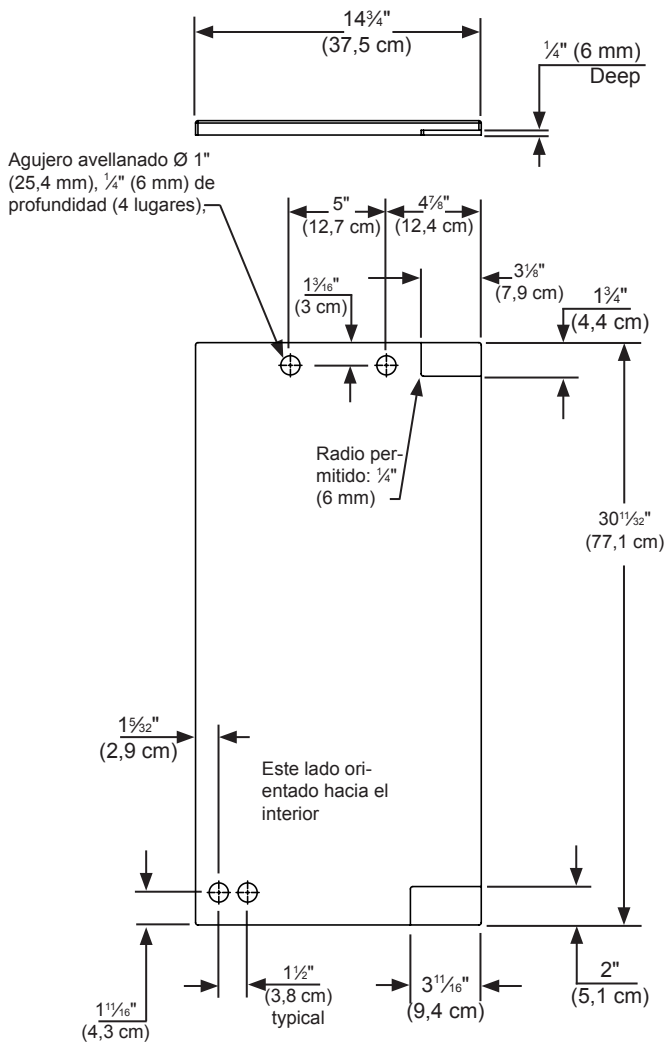


Figura 32  
Puerta abisagrada a la izquierda para artefacto de 15" (38,1 cm) de ancho.

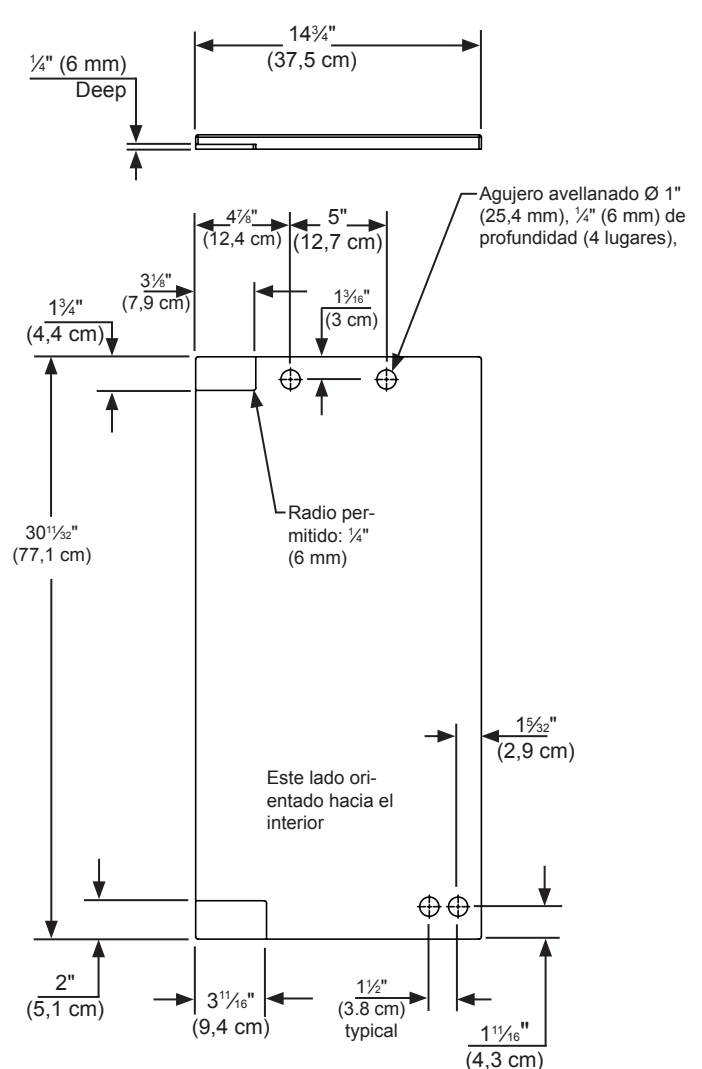


Figura 34  
Puerta abisagrada a la derecha para artefacto de 15" (38,1 cm) de ancho.

# INSTALACIÓN DEL PANEL DE PUERTA DECORATIVO

Tipo de material	Tornillo para madera n.º 10
Madera dura	Agujero de guía Ø 1/8" (3,2 mm)
Madera blanda	Agujero de guía Ø 7/64" (2,8 mm)

Tabla B

## Paso 4: monte el panel en la puerta.

El método preferido para fijar el panel a la puerta es sujetarlo con pinzas para que no pueda moverse al perforar los agujeros para guía de los tornillos. Utilice sargentos de carpintero o pinzas tipo "C" con almohadillas en las superficies de sujeción para no arruinar el panel ni la puerta. El panel decorativo cortado a la medida debe estar nivelado a tope con la parte superior de la puerta y centrado a ambos lados de la puerta (vea la Figura 30a). Perfore 10 agujeros a través del canal de la junta y use los agujeros como guía. Utilice una broca de la medida indicada en la Tabla 'B' y tenga cuidado de no perforar hasta la superficie delantera del panel. Si el espesor del panel decorativo es menor de 5/8" (16 mm) deberá buscar tornillos más cortos. Fije el panel a la puerta con los 10 tornillos incluidos con los manuales del artefacto (vea la Figura 35). Retire las pinzas y vuelva a instalar la junta en los canales de la puerta. Puede ser necesario aplicar algo de fuerza para asentar la junta en los canales. Verifique que las esquinas de la junta estén asentadas correctamente.

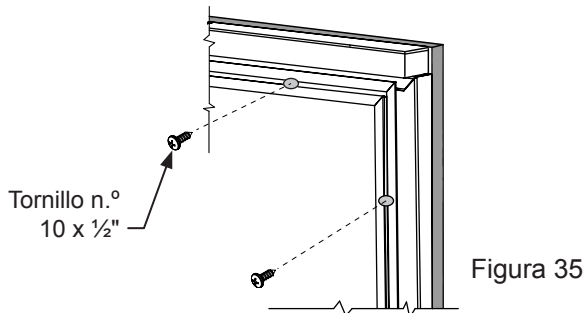


Figura 35

## Paso 5: instale la puerta.

Abra con cuidado las bisagras superior e inferior de la puerta pues hay muchos puntos que pueden pellizcarle la mano. Coloque las bisagras en los 4 tornillos del gabinete, 2 en la parte superior y 2 en la parte inferior y deslice la puerta en su posición. Apriete los 4 tornillos de la bisagra con un destornillador Phillips (vea las Figuras 28 y 28a). Monte el mazo de cables desde la rejilla hasta la parte inferior de la puerta y asegúrelo con el tornillo y la abrazadera "P" desmontados en el paso 1 (vea la Figura 28b). Vuelva a conectar el mazo de cables, (vea la Figura 29).

## Paso 6: asegure el gabinete.

Utilice los tornillos n.º 8 x 3/4" incluidos con los manuales para asegurar la encimera a la parte superior del gabinete a través de los agujeros del soporte "Z" del gabinete.

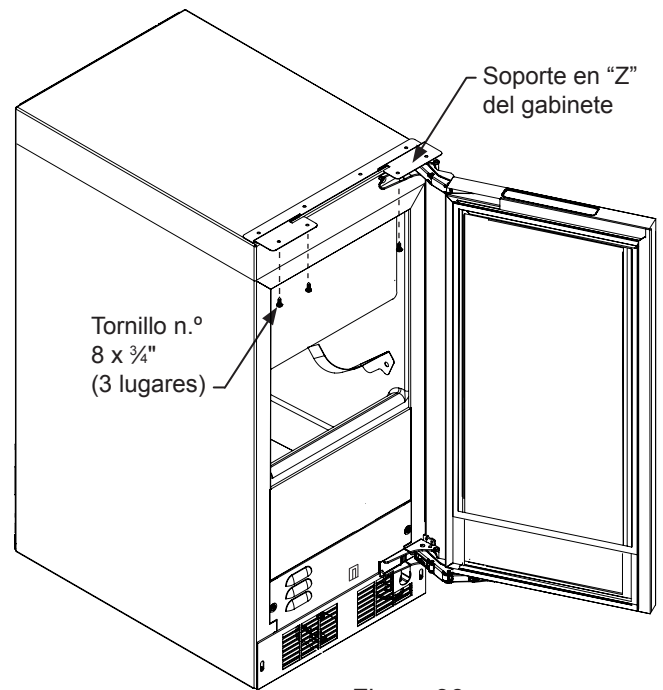


Figura 36

# CUIDADOS Y LIMPIEZA - CONSEJOS PARA AHORRAR ENERGÍA

## Rejilla frontal

Verifique que nada obstruye el flujo de aire requerido en las aberturas delanteras del gabinete. Cepille o limpie con una aspiradora las pelusas y suciedad acumuladas en las aberturas de la rejilla al menos una o dos veces al año (vea la página 4).



**PELIGRO DE CHOQUE ELÉCTRICO:** Desconecte la alimentación eléctrica del artefacto antes de limpiarlo con agua y jabón.

## Gabinete

El gabinete pintado puede lavarse con agua jabonosa tibia y enjuagarse con agua limpia. NUNCA use limpiadores abrasivos.

## Interior

Lave el compartimiento interior con agua jabonosa tibia. NO utilice limpiadores abrasivos, disolventes, limpiadores pulidores ni detergentes puros.

## Cuidado del artefacto

1. Evite apoyarse en la puerta, podría doblar las bisagras de la puerta o inclinar el artefacto.
2. Tenga cuidado al barrer, pasar la aspiradora o fregar cerca del frente del artefacto pues podría dañar la rejilla.
3. Limpie periódicamente el interior de la unidad según sea necesario.
4. Revise o limpie periódicamente la rejilla delantera según sea necesario.

## Ante una falla en la alimentación eléctrica, proceda como se indica a continuación

Si se interrumpe la alimentación eléctrica, trate de corregirla lo antes posible. Reduzca al mínimo las aperturas de la puerta durante la interrupción del servicio eléctrico pues ello afecta negativamente la temperatura de la unidad.

## Reemplazo del equipo de iluminación interior

Todos los modelos utilizan lámparas LED para iluminar el interior del artefacto. Este componente es muy confiable, pero si una lámpara falla, comuníquese con un técnico de servicio calificado para que reemplace el LED.

## Las siguientes sugerencias reducirán al mínimo el costo de utilización de su artefacto de refrigeración.

1. No instale el artefacto cerca de un electrodoméstico que emita calor (cocina, lavavajillas, etc.), conductos de calefacción y otras fuentes de calor.
2. Instale el producto alejado de la luz solar directa.
3. Verifique que los orificios de ventilación de la rejilla delantera del artefacto ubicada bajo la puerta no estén obstruidos y manténgalos limpios para permitir la evacuación del calor que genera el sistema de refrigeración.
4. Conecte el artefacto a un circuito de alimentación exclusivo (no compartido con otros equipos).
5. Reduzca al mínimo la cantidad de veces que abre la puerta y el tiempo en que esta permanece abierta.
6. Si la limpieza del artefacto requiere que la puerta permanezca abierta durante un período prolongado, ajuste el control a la posición de apagado "Off".
7. Utilice el modo ECO cuando no necesite producir la máxima cantidad de hielo.
8. Seleccione la función de arranque con retardo si la máquina de hielo no será utilizada durante un período prolongado.

# SOLICITUD DE SERVICIO TÉCNICO

## Si necesita asistencia técnica tenga en cuenta lo siguiente:

- Si aún no ha finalizado el primer año del período de garantía del producto, comuníquese con su distribuidor o llame al servicio de atención al cliente de AGA MARVEL al teléfono 800.223.3900 para solicitar instrucciones sobre cómo obtener cobertura por garantía en su localidad.
- Si el período de garantía de un año ha caducado, el servicio de atención al cliente de AGA MARVEL puede recomendarle un centro de servicios técnicos cercano a su domicilio. También puede encontrar la lista de los centros de servicio técnico autorizados en la sección Servicio y asistencia técnica (Service and support) en la página de Internet [www.agamarvel.com](http://www.agamarvel.com).
- En toda correspondencia referida a asistencia técnica, no olvide incluir el número de servicio, el número de serie y la prueba de compra de la unidad.
- Trate de obtener toda la información posible o la descripción del problema, cuánto tiempo ha estado en funcionamiento el artefacto, la temperatura de la habitación y cualquier otra información adicional que pueda ser de utilidad para resolver rápidamente el problema.
- La Tabla 'C' se suministra para registrar la información correspondiente a su producto para consultas futuras.

Para su registro	
Fecha de la compra	
Nombre del distribuidor	
Dirección del distribuidor	
Ciudad	
Estado	
Código postal	
Número de serie del artefacto	
Número de servicio del artefacto	
Fecha en la que envió la tarjeta de la garantía (debe ser dentro de los 10 días de la compra).	

Tabla C

# LOCALIZACIÓN Y SOLUCIÓN DE AVERÍAS EN LA MÁQUINA DE HIELO

## Antes de llamar al servicio técnico siga estos consejos

Si el artefacto parece estar funcionando mal, lea primero este manual. Si el problema persiste, vea la guía de localización de fallas incluida a continuación. Antes de llamar al servicio técnico, localice el problema en la guía y consulte su causa y su solución. Tal vez el problema sea algo muy simple que puede resolverse sin llamar al servicio técnico. Sin embargo, puede ser necesario ponerse en contacto con su distribuidor o con un técnico de servicio calificado.

## Guía de localización y solución de averías

### Operación de la máquina de hielo

#### La máquina de hielo no funciona

**¿Está enchufado el cable de alimentación de la máquina de hielo?** Enchufe el cable de alimentación en una toma de corriente con conexión de tierra.

**¿El control electrónico indica el modo "ICE"?** Revise el control para asegurarse de que está en el modo "ICE".

**¿Se ha quemado un fusible o se ha disparado un interruptor automático?** Reemplace el fusible quemado o rearme el interruptor disparado.

**¿La temperatura del lugar es menor que la habitual?** La temperatura ambiente mínima es 13°C (55°F). El termistor del depósito puede estar detectando la temperatura ambiente y apagará la máquina antes de que el depósito se haya llenado de hielo. Si la temperatura ambiente se mantiene baja, es posible que la máquina de hielo no vuelva a arrancar.

**¿La máquina de hielo cuenta con una bomba de drenaje?** La bomba de drenaje está diseñada para apagar temporalmente la unidad si el nivel de agua es muy alto. Espere unos minutos, la bomba de drenaje continuará funcionando hasta eliminar el exceso de agua. Si aún hay agua en el depósito de hielo, verifique la ausencia de obstrucciones o dobleces en la tubería de ventilación de la bomba de drenaje.

#### La máquina de hielo está ruidosa

Muchos de los sonidos que produce una máquina de hielo son diferentes de los producidos por su refrigerador doméstico. Este tema se ha tratado en la página 11, pero verifique lo siguiente:

**¿Oye la circulación de agua en la máquina de hielo?** Este es un sonido normal ya que se agrega agua en cada ciclo de producción de hielo.

**¿Oye un soplo?** Verifique que haya agua llegando a la máquina de hielo. También verifique que el tapón de vaciado esté bien asentado en el depósito de agua.

**¿Hay una placa de hielo atascada entre la placa del evaporador y la rejilla de corte?** En primer lugar verifique si la máquina de hielo está nivelada. Si la máquina de hielo está nivelada ejecute un ciclo de limpieza.



## ADVERTENCIA

### Peligro de electrocución

- Nunca intente reparar o realizar tareas de mantenimiento en el artefacto sin haberlo previamente desconectado de la alimentación eléctrica. Apagar el artefacto desde el control no desconecta la corriente eléctrica de los cables del artefacto.
- Vuelva a colocar todas las piezas y paneles antes de poner en funcionamiento.

### Producción de hielo

#### La máquina de hielo no produce hielo o produce muy poco

**¿El control electrónico está ajustado en el modo "ICE"?** Revise el control para asegurarse de que está en el modo "ICE".

**¿Llega agua a la máquina de hielo?** Verifique que no haya ninguna obstrucción en el suministro de agua, como una válvula cerrada, o un fusible quemado, o un interruptor disparado, o una tubería de alimentación doblada o con baja presión de agua.

**¿Recién arranca la máquina de hielo?** Un ciclo de producción de hielo normal puede durar hasta 1-1/2 horas. Los ciclos de puesta en marcha iniciales pueden tomar más tiempo. Revise la máquina de hielo después de 24 horas para verificar si se ha acumulado hielo en el depósito.

**¿Está en su sitio el tapón de vaciado del depósito?** Verifique que el tapón de vaciado del depósito está correctamente asentado.

**¿Hay alguna obstrucción en el tubo distribuidor de agua?** Ejecute un ciclo de limpieza para limpiar la máquina de hielo. También revise los filtros para verificar que no están obstruidos.

**¿Hay alguna obstrucción en el flujo de aire del ventilador del condensador?** Verifique que la rejilla de la parte delantera de la máquina de hielo permite una circulación de aire adecuada.

**¿Es demasiado elevada la temperatura ambiente y/o del agua?** Mueva la máquina de hielo a un lugar donde la temperatura ambiente sea inferior a 32°C (90°F) para máquinas de hielo empotrables o menor de 38°C (100°F) para máquinas de hielo independientes. La máquina de hielo no debe colocarse al lado de una fuente de calor como, por ejemplo, un horno. Revise la conexión de agua fría.

**¿Se han formado incrustaciones en la máquina de hielo?** Si se han formado incrustaciones en el evaporador, la máquina de hielo necesita limpieza, vea la sección "Limpieza de la máquina de hielo".



# LOCALIZACIÓN Y SOLUCIÓN DE AVERÍAS EN LA MÁQUINA DE HIELO

## Calidad del hielo

### Olor, color gris o mal sabor en el hielo

¿Se han formado incrustaciones minerales en la placa del evaporador? La máquina de hielo necesita limpieza, vea la sección "Limpieza de la máquina de hielo".

¿Hay un alto contenido de minerales en el agua? Puede ser necesario filtrar el agua.

¿Se han guardado alimentos en el depósito de hielo? Retire los alimentos del depósito de hielo.

Los olores desagradables pueden requerir el uso de un filtro de carbón en la tubería de suministro de agua.

### Aglomeraciones de hielo

¿Hay aglomeraciones de hielo en el depósito? Si el hielo no se usa de forma regular se derretirá y formará aglomeraciones. Rompa las aglomeraciones de hielo con la cuchara de extracción.

### Cubos de hielo demasiado grandes o demasiado pequeños

¿Es bajo el consumo de hielo? El hielo que se derrite lentamente en el depósito afecta el tamaño de los cubos. Esto es normal. Cuando el depósito de hielo necesita ser repuesto, los cubos vuelven a su tamaño normal.

¿Se libera la placa de hielo? Limpie el evaporador, consulte la sección "Limpieza de la máquina de hielo".

¿Hay alguna obstrucción en el tubo distribuidor? Verifique la ausencia de obstrucciones o dobleces en la tubería de agua que alimenta la máquina de hielo. Revise todos los filtros para verificar que no están obstruidos. Verifique que el agua fluye de manera uniforme fuera del tubo distribuidor; en caso contrario, limpie la máquina de hielo, vea la sección "Limpieza de la máquina de hielo".

## Problemas con la instalación de tuberías

¿La manguera de drenaje está alineada con el desagüe? Mueva la máquina de hielo para alinear el drenaje.

¿La máquina de hielo está drenando correctamente? Verifique la ausencia de dobleces u obstrucciones en las mangueras de drenaje; esto puede causar que el agua retroceda hacia el depósito de hielo. Verifique que no haya materiales extraños obstruyendo el drenaje del depósito de hielo, situado en la esquina posterior derecha del depósito. Verifique la ausencia de obstrucciones o dobleces en la descarga y la tubería de ventilación de la bomba de drenaje. Verifique que la bomba de drenaje esté nivelada.

## Localización y solución de averías en la bomba de drenaje

### NOTA

Si el depósito de la bomba de drenaje (no el depósito de la máquina de hielo) se llena excesivamente, la alimentación eléctrica de la máquina de hielo se apagará.

### Si la máquina de hielo no funciona, revise lo siguiente:

- Verifique que haya energía en la toma de corriente.
- Verifique que la máquina de hielo esté encendida.
- Verifique que el depósito de hielo no esté lleno.

### A continuación, revise la bomba de drenaje

#### La bomba no funciona:

- Verifique que la bomba esté enchufada y que haya energía en la toma de corriente.
- Verifique la ausencia de desechos en la entrada de la bomba de drenaje y límpiela si fuese necesario. Desmonte las abrazaderas y el tubo de entrada de la bomba de drenaje para buscar y eliminar los desechos.
- Verifique la ausencia de torceduras/ dobleces pronunciados u obstrucciones en la tubería de ventilación.
- Asegúrese de que hay suficiente agua para activar la bomba de drenaje. Para activar la bomba de drenaje necesitará no menos de 0,95 litros (un cuarto de galón) de agua.

#### La bomba funciona, pero no sale agua por la descarga:

- Verifique que la ventilación esté limpia y sin obstrucciones.
- Verifique la ausencia de obstrucciones en la tubería de descarga.
- Verifique que la altura máxima desde el piso hasta el tubo de descarga no supera los 2,44 metros (8 pies) y que la longitud del tramo horizontal no es mayor de 6 metros (20 pies)

#### La bomba funciona y luego se apaga rápidamente de forma repetida:

- Verifique que la bomba de drenaje esté nivelada.
- Verifique que la ventilación esté limpia y sin obstrucciones.

#### La máquina funciona pero no produce hielo:

- Verifique que el agua no retrocede hacia el depósito de hielo.

### NOTA

Los problemas de las tuberías instaladas fuera de la máquina de hielo no pueden ser reparados por el técnico de servicio. Para ello deberá llamar a un plomero cualificado.

# PREPARACIÓN DE LA MÁQUINA DE HIELO PARA SU ALMACENAMIENTO

Si la máquina de hielo se mueve, no se utiliza durante un tiempo prolongado, o estará en un área con temperaturas cercanas a las de congelación, será necesario eliminar cualquier resto de agua en el sistema de fabricación de hielo.

## ! PRECAUCION

Para evitar daños en la máquina de hielo, así como posibles daños por acumulación de agua en los alrededores cuando la temperatura desciende por debajo de cero, se deberá drenar y eliminar toda el agua de la máquina. Estos daños no están cubiertos por la garantía.

## ! PRECAUCION

No utilice ningún tipo de anticongelante u otra solución para evitar el drenaje adecuado de la máquina de hielo.

### Limpieza de la máquina de hielo

La limpieza de la máquina de hielo ayuda a evitar la formación de hongos y moho. Además, la máquina se debe desinfectar antes de su almacenamiento o cuando vuelve de nuevo al servicio. Vea en la página 16 las instrucciones para limpiar la máquina de hielo.

## ! ADVERTENCIA

### Peligro de electrocución

NO desmonte la tapa de acceso al compartimento de la máquina antes de desconectar el cable de alimentación de la máquina de hielo. En caso contrario podría recibir una descarga eléctrica o lesiones personales causadas por los componentes móviles,

### Drenaje y eliminación del agua de un sistema de fabricación de hielo equipado con un drenaje por gravedad.

1. Cierre el suministro de agua a la máquina de hielo.
2. Desconecte el accesorio de conexión del suministro de agua en la entrada de la válvula de agua (vea la Figura 37a).
3. Cambie el control electrónico al modo de limpieza (CLEAN) durante aproximadamente un (1) minuto. Esto energizará y abrirá la válvula de agua, y eliminará la mayor parte del agua de la válvula de agua y de la tubería de agua entre la salida de la válvula de agua y el depósito.
4. Cambie el control electrónico a la posición "Apagado". Esto energizará y abrirá la válvula de drenaje para vaciar el depósito y el sistema de drenaje de la máquina de hielo.
5. Desconecte la máquina de hielo de la toma de corriente.
6. Desmonte la tapa de acceso de la parte posterior de la máquina de hielo (vea la Figura 38).

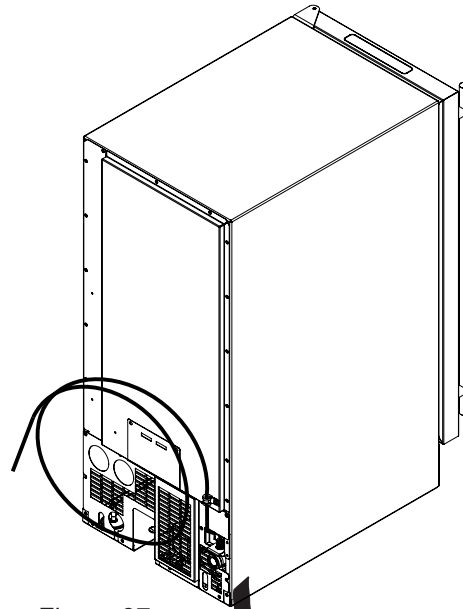


Figura 37  
Vista posterior de la máquina de hielo

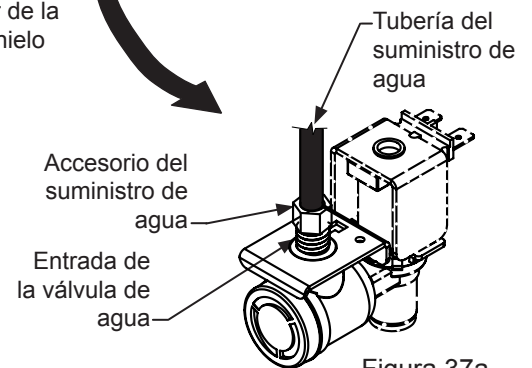


Figura 37a

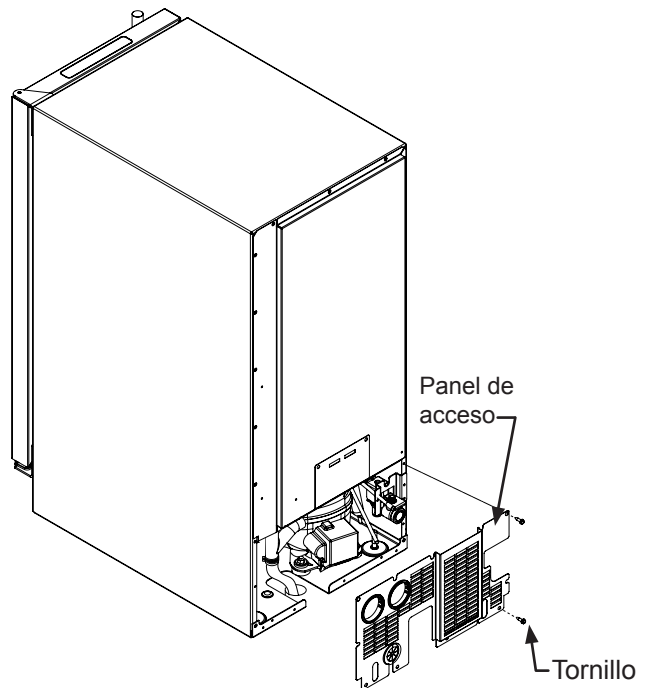


Figura 38

# PREPARACIÓN DE LA MÁQUINA DE HIELO PARA SU ALMACENAMIENTO

- Desconecte la tubería de agua entre la salida de la válvula de agua y el depósito y drene el agua restante que queda en el área de la trampa de la tubería de agua (vea las Figuras 39 y 39a).

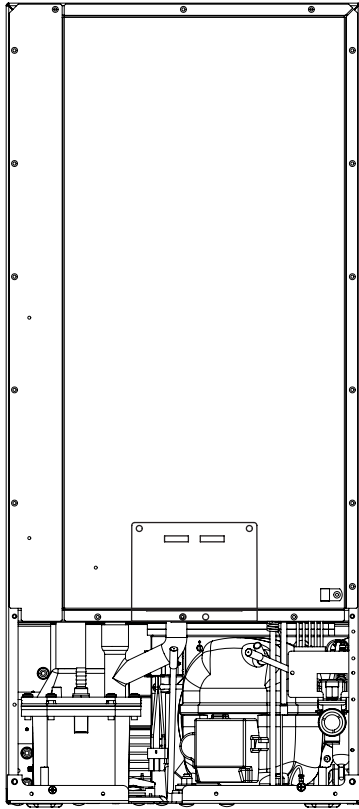


Figura 39

**Para desconectar la tubería de la salida de agua** empuje hacia arriba el collarín blanco y tire de la tubería de agua de plástico desde la parte inferior de la válvula de agua.

**Para volver a conectar la tubería de la salida de agua** simplemente inserte el tubo de plástico en el collarín blanco y empuje hasta el tope; la tubería de agua entrará unos 12 mm (1/2") en la válvula.

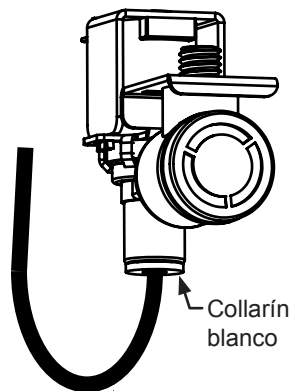


Figura 39a

Collarín blanco  
Tubería de plástico de la salida de agua

- Vuelva a conectar la tubería de agua en la salida de la válvula de agua (vea las Figuras 39 y 39a).
- Vuelva a instalar la tapa de acceso de la máquina de hielo.
- Limpie y seque el depósito de almacenamiento de la máquina de hielo.
- Deje la puerta abierta para que circule aire y evitar la formación de hongos y moho.
- Deje la tubería de suministro de agua desconectada o vuelva a conectar la línea de suministro y déjela cerrada. NO abra el agua y deje que el agua entre de nuevo en la válvula de agua.

## Drenaje de agua en aplicaciones con bomba de drenaje instalada en fábrica

Siga los pasos 1 a 12 de la instalación del drenaje por gravedad y, a continuación, haga lo siguiente:

- Instale el tapón de acondicionamiento para el invierno en el orificio de drenaje de agua dentro del depósito de hielo (vea la Figura 40).

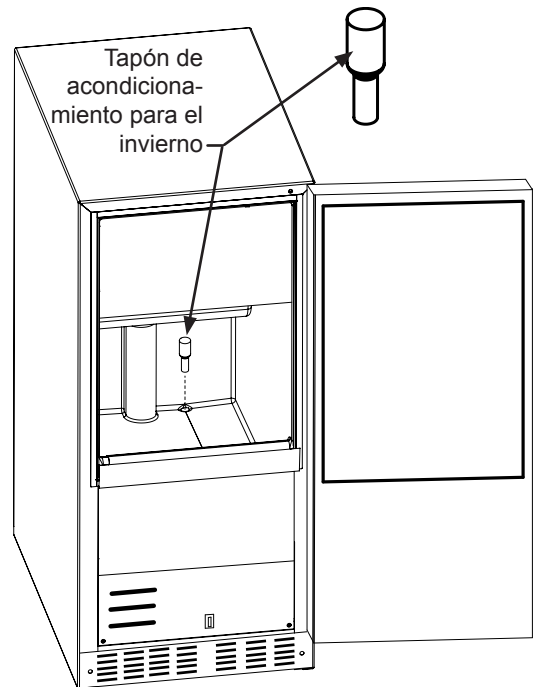


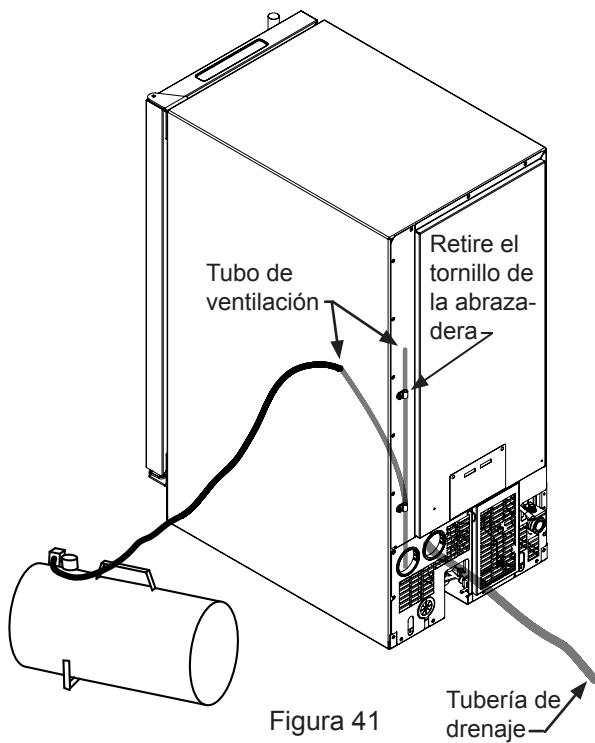
Figura 40

# PREPARACIÓN DE LA MÁQUINA DE HIELO PARA SU ALMACENAMIENTO

14. Desmonte la abrazadera superior del tubo de ventilación para facilitar el acceso para la manguera de aire.
15. Aplique aire comprimido (aproximadamente 10 psi) en el extremo del tubo de ventilación. Esto eliminará el agua restante de la bomba y la tubería de drenaje (vea la Figura 41).
16. Vuelva a instalar el tubo de ventilación y la abrazadera en la parte posterior de la máquina de hielo y retire el tapón de acondicionamiento para el invierno del depósito de hielo, guarde el tapón para su uso en el futuro.

## Procedimiento para poner nuevamente en marcha la máquina de hielo

1. Vuelva a conectar o abra la tubería de suministro de agua.
2. Vuelva a conectar el tubo de drenaje (si fue desmontado).
3. Enchufe el cable de alimentación en una toma de corriente y encienda la máquina de hielo (para encender y apagar la máquina, consulte la página 14).
4. Verifique que no haya fugas de agua en la entrada de agua, las tuberías de drenaje y los accesorios.
5. Verifique el funcionamiento de la bomba de drenaje (si posee) vertiendo aproximadamente 2 litros de agua en el depósito de hielo. La bomba de drenaje se deberá activar y descargará el agua (consulte la sección Bomba de drenaje en la página 7). Verifique la ausencia de fugas de agua en todas las conexiones de manguera.



# INSTRUCCIONES PARA EL DESMONTAJE DE LA BOMBA DE DRENAJE

## Instrucciones para el desmontaje de la bomba de drenaje

1. Desenchufe la máquina de hielo del suministro eléctrico y retire la tapa de acceso posterior de la máquina (vea las instrucciones en la página 26).
2. Desenrosque la pata niveladora de la esquina posterior hasta que el extremo de la parte roscada quede al ras con el inserto roscado de la base (vea la Figura 43).
3. Desmonte las 3 abrazaderas de manguera y retire las 3 mangueras de la parte delantera de la bomba de drenaje (vea la Figura 43).
4. Gire la bomba de drenaje y retírela de la máquina de hielo (vea la Figura 42). Probablemente sea necesario desconectar el cable de tierra de la pestaña posterior del gabinete (vea la Figura 43).
5. Desconecte el cable de alimentación de la máquina de hielo de la bomba de drenaje (vea la Figura 44).
6. Vacíe el agua del depósito de la bomba de drenaje colocando la bomba boca abajo y dejando que el agua se escurra por la entrada de la bomba y por los accesorios del tubo de ventilación.
7. 14. Para instalar la bomba de drenaje utilice las instrucciones de desmontaje en el orden inverso.

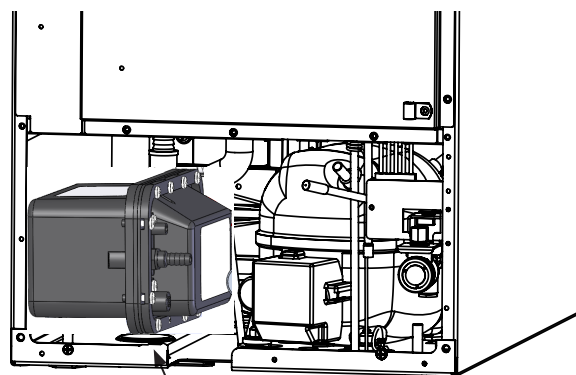
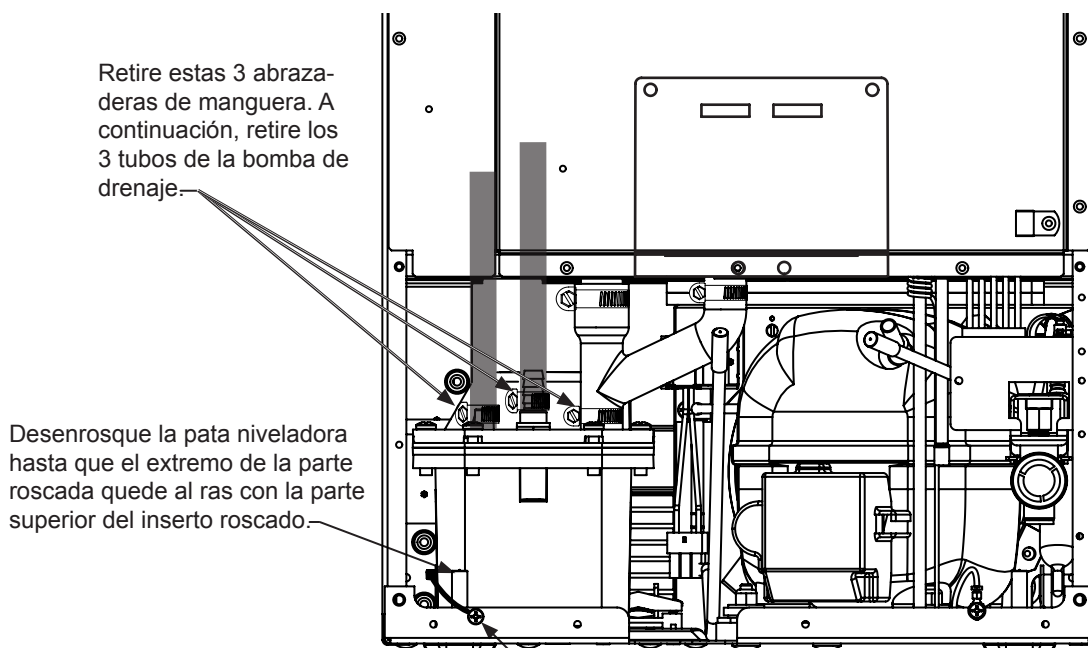


Figura 42

Haga girar la bomba de drenaje y retírela de la parte posterior de la máquina de hielo.



Retire estas 3 abrazaderas de manguera. A continuación, retire los 3 tubos de la bomba de drenaje.

Desenrosque la pata niveladora hasta que el extremo de la parte roscada quede al ras con la parte superior del inserto roscado.

Figura 43

Conexión del cable de tierra de la bomba de drenaje.

# INSTRUCCIONES PARA EL DESMONTAJE DE LA BOMBA DE DRENAJE

## Detalles que deben ser inspeccionados por el instalador antes de una nueva puesta en marcha

1. La bomba de drenaje debe estar nivelada.
2. Las tuberías de agua no deben estar pellizcadas.
3. No debe haber interferencias con el cableado eléctrico.
4. La bomba de drenaje no debe estar asentada sobre algún obstáculo, cableado, etc.
5. Apriete todas las abrazaderas de las mangueras que entran y salen de la bomba de drenaje.
6. Verifique que la altura del tubo de ventilación es la adecuada (460 mm/ 18 pulg. como mínimo).
7. Verifique que la altura del drenaje es la adecuada (2,44 metros/ 8 pies como máximo).
8. Verifique que la longitud del drenaje es la adecuada (6 metros/ 20 pies como máximo).
9. Verifique la ausencia de fugas de agua después de la instalación de la bomba de drenaje.
10. Verifique la ausencia de vibraciones causadas por una instalación incorrecta.
11. Verifique la ausencia de interferencias con la tapa de acceso posterior.
12. Verifique que los protectores de caucho para los agujeros estén en su lugar de manera que los tubos de ventilación o de drenaje no rocen contra superficies afiladas.

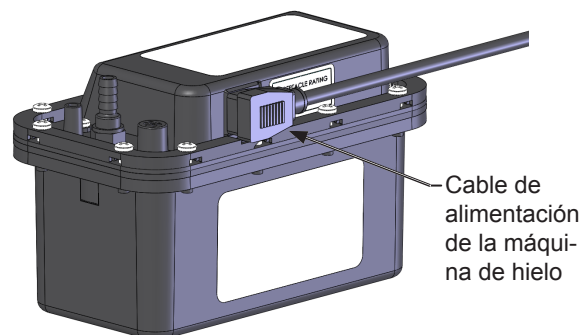


Figura 44

# GARANTÍA DE PRODUCTOS ELECTRODOMÉSTICOS

## Para el producto completo

### Un año de garantía limitada sobre piezas y mano de obra del producto completo

AGA MARVEL garantiza el suministro de todas las piezas y la mano de obra necesarias para reparar o reemplazar en el domicilio u oficina del usuario cualquier componente en el que se haya comprobado la presencia de defectos, sea por materiales o por mano de obra, de acuerdo a las condiciones y exclusiones establecidas más adelante, durante un período de un año a partir de la fecha de compra del usuario final.

### Garantía limitada adicional exclusivamente sobre piezas entre el segundo y quinto años

Durante los cuatro años siguientes a la finalización del período de garantía limitada de un año, AGA MARVEL garantiza el suministro de piezas de repuesto para el sistema de refrigeración sellado herméticamente, compuesto por compresor, condensador, secador, acumulador, válvula de derivación, tuberías de conexión y evaporador, en las que se compruebe la presencia de defectos de mano de obra o materiales, de acuerdo a las condiciones y exclusiones establecidas más adelante.

Las garantías anteriores no cubren lo siguiente:

- Costos de transporte de los repuestos o piezas defectuosas devueltas.
- Capacitación del cliente o instrucciones sobre el uso del artefacto.
- Cualquier pérdida del contenido debido a una falla del producto.
- Remoción o instalación del producto.

Ninguna de las garantías que se indican cubren las fallas de este producto o de sus componentes debido a:

- Transporte o daños subsiguientes.
- Uso comercial o usos distintos de aquellos normales para un equipo para uso en el hogar u oficina pequeña.
- Instalación inadecuada, uso indebido, abuso, accidente o alteración, conexión a una instalación eléctrica que no cumple con los códigos eléctricos, bajo o alto voltaje, fallas por falta del mantenimiento necesario o por otros usos distintos a aquel para el cual fue diseñado el artefacto.

## Piezas o servicios

### No provistos o designados por AGA MARVEL

Las garantías indicadas tampoco serán de aplicación si:

- No se pudiesen verificar la factura original de compra, la fecha de entrega o el número de serie de la unidad.
- Las piezas defectuosas no son devueltas para inspección si así fue solicitado por AGA MARVEL.
- El poseedor del equipo de refrigeración no es el comprador original del producto.

Las garantías establecidas de aquí en más son las únicas garantías extendidas por AGA MARVEL. Toda garantía implícita, incluso la garantía implícita de comerciabilidad, está limitada a la duración de estas garantías expresas. En ningún caso AGA MARVEL será responsable por cualesquiera daños emergentes o incidentales, ni por gastos por incumplimiento de estas o cualesquiera otras garantías, sean expresas o implícitas.

Algunos estados (dentro de los Estados Unidos de América) no permiten la exclusión o limitación de daños emergentes o una limitación en el tiempo de validez de una garantía implícita, por lo que la exclusión o limitación anterior podría no ser aplicable para usted. Esta garantía le brinda derechos legales específicos y usted podría tener otros derechos que pueden variar de un estado a otro (dentro de los Estados Unidos de América).

Ninguna persona, firma o corporación está autorizada a ofrecer cualquier otra garantía o asumir cualquier otra obligación en nombre de AGA MARVEL. Estas garantías se aplican únicamente a productos utilizados en cualesquier de los cincuenta estados de los Estados Unidos de Norteamérica y en el Distrito de Columbia.

Para obtener el servicio amparado por esta garantía, informe de cualquier defecto a:

### **AGA MARVEL**

1260 E. VanDeinse St.  
Greenville MI 48838

Phone: 800.223.3900



[www.agamarvel.com](http://www.agamarvel.com)

**AGA MARVEL**

1260 E. VanDeinse St.  
Greenville MI 48838

800.223.3900

41013890-SP Rev A  
8/29/16

Todas las especificaciones y diseños del producto están sujetos a cambios sin aviso previo. Las revisiones del producto no le otorgan al comprador el derecho a cambios, mejoras, accesorios adicionales, reemplazos o compensaciones por los productos previamente comprados.